

PRODUCT CATALOGUE

2025 -2026



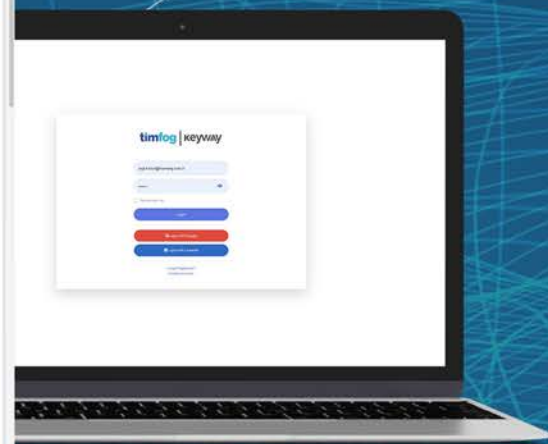
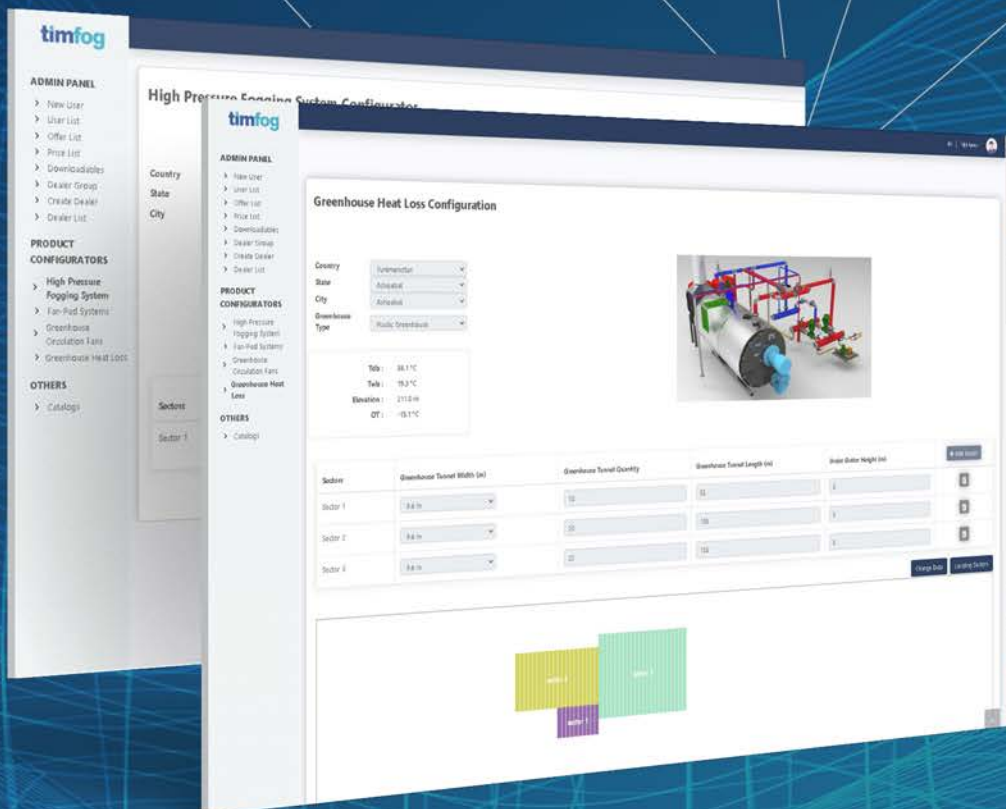
We are dedicated to accelerating your business.



SCAN QR CODE

We have developed a user-friendly online application that can perform detailed technical calculations with ease and provide you with a tailored price quote. Now, the waiting time for customized system quotes for your greenhouse has been reduced from one week to just five minutes!

app.timfog.com



INDEX

GREENHOUSE STRUCTURE SYSTEMS

10

Aluminum Profiles	14
Steel Profiles	15
Thermal Screens	52
Drive Mechanism	53

HIGH PRESSURE FOGGING SYSTEMS

120

Pump Units	126
Nozzle Groups	136
Pipes & Connection Parts	138
Other Equipments	144

HEATING SYSTEMS

54

Hot Water Boilers(Erensan).....	58
Burners (Unigas)	60
CO ² Hot Water Boilers(Crone)	62
Economizers	64
Burners (Thermeta)	66
CO ² Hot Water Boilers(Erensan)	70
Economizers	73
Burners (Unigas)	74
Chimneys	75
CO ₂ Fans	76
Buffer Tanks & Equipments.....	77
Magnetic Filters	82
Pumps.....	83
Steel Pipes & Spare Parts	85
Isolated Parts & Spare Parts	91
CO ₂ Pipes & Spare Parts	96
Valfs & Measurement Groups.....	99
Heating Connection Equipments.....	104

GREENHOUSE AIR HANDLING UNITS

148

Compressor and Desiccant	152
TDD Desiccant Dehumidifier	153
Desiccant (Natural Gas)	154
Compressor	155
Heat Pump	156

GREENHOUSE IRRIGATION, ELECTRICITY & AUTOMATION SYSTEMS

162

Drain Water Reuse Systems (UVC)	164
Greenhouse Irrigation Systems	166
Greenhouse Electricity & Automation Systems	167

VENTILATION & COOLING SYSTEMS

110

Fan-Pad Equipments	114
Circulation Fans	117
Exhaust Fans	118
Perfect Climate System	119

AUXILIARY EQUIPMENTS

168

Growing Gutter Wires	168
----------------------------	-----

ABOUT US

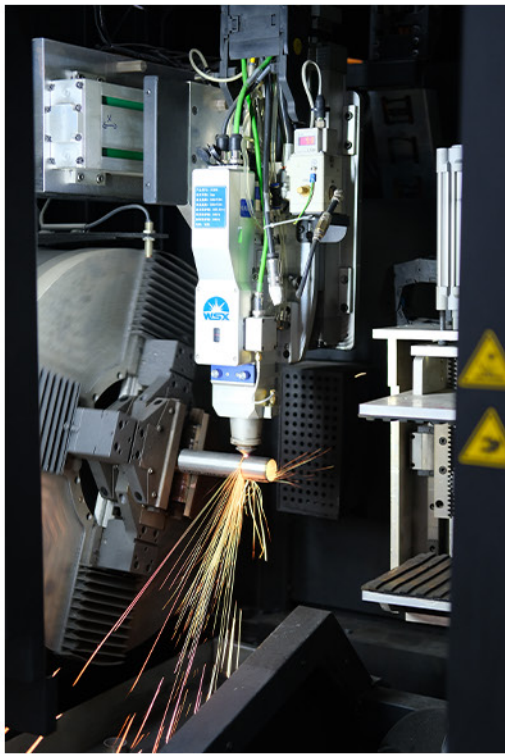
As "Timfog Engineering," a brand of MCM Group of Companies, we focus on climate control systems and glass greenhouse construction systems in the field of greenhouse cultivation, adopting a tailor-made engineering service approach.

Under the greenhouse climate control systems category, we operate as a manufacturer and representative of various devices and equipment. With over 20 years of experience, we excel in establishing the world's best climate control systems.

At our production facilities located in Dilovasi, Kocaeli, we manufacture a range of products entirely with local capital and labor. These include high-pressure misting units, greenhouse air handling units, greenhouse heating systems, and various pipes, fittings, and high-pressure nozzle group products.

By accurately interpreting our customers' needs, we optimize product selection and system mechanical design. Leveraging our experience and expertise across different regions, we provide the most accurate consulting services to agricultural businesses in the greenhouse sector.





Timfog Inc. is one of the world's largest producers of high-tech greenhouse machinery equipment. At its factories located in Dilovasi, Kocaeli, the company manufactures:

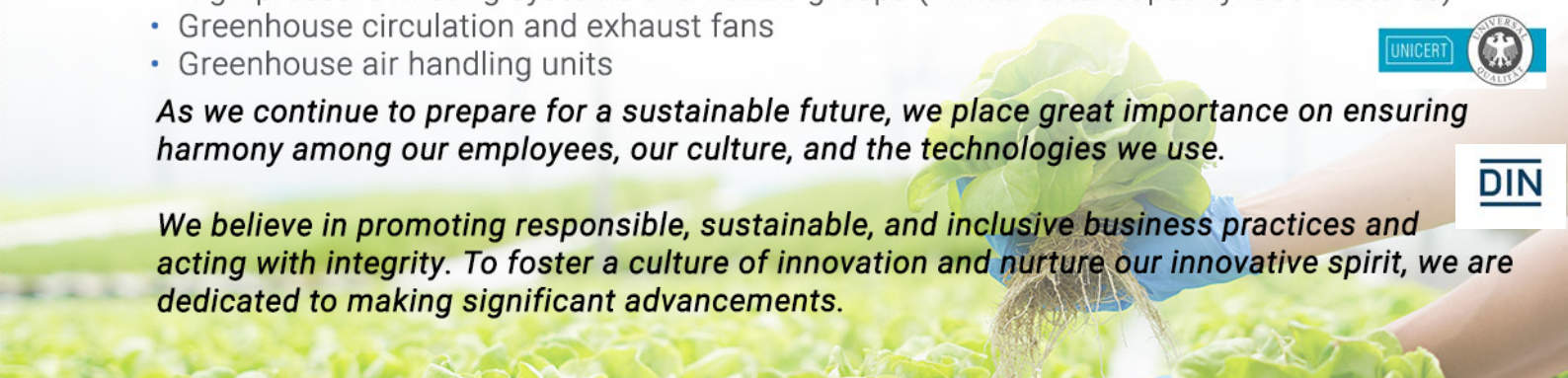


- Glass greenhouse construction (Annual total capacity: 100 hectares)
- Auxiliary heating system equipment (Annual total capacity: 250 hectares)
- Greenhouse hot water boilers and CO₂ systems (in partnership with Erensan Inc.)
- High-pressure misting systems and nozzle groups (Annual total capacity: 300 hectares)
- Greenhouse circulation and exhaust fans
- Greenhouse air handling units



As we continue to prepare for a sustainable future, we place great importance on ensuring harmony among our employees, our culture, and the technologies we use.

We believe in promoting responsible, sustainable, and inclusive business practices and acting with integrity. To foster a culture of innovation and nurture our innovative spirit, we are dedicated to making significant advancements.



HEATING SYSTEM

VENTILATION SYSTEM

GREENHOUSE CONSTRUCTION SYSTEM

HIGH-PRESSURE MISTING SYSTEM



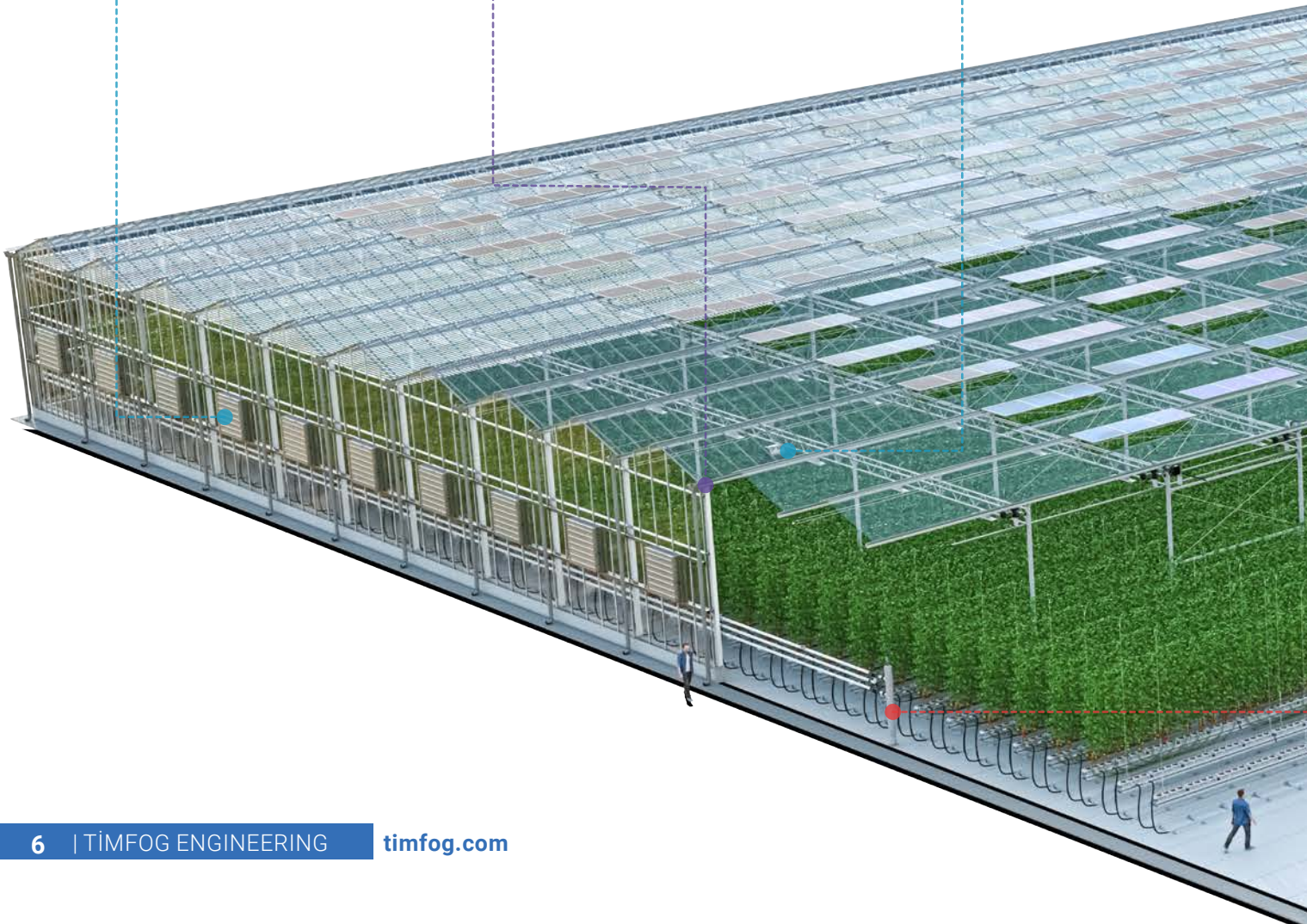
EXHAUST FANS



GREENHOUSE CONSTRUCTION PROFILES



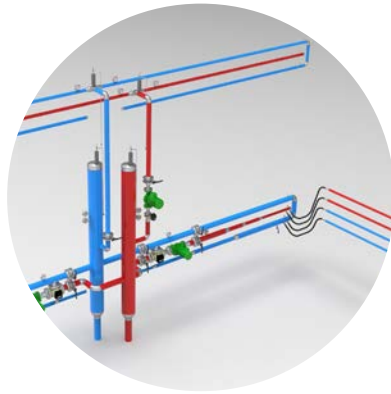
GREENHOUSE CIRCULATION FANS



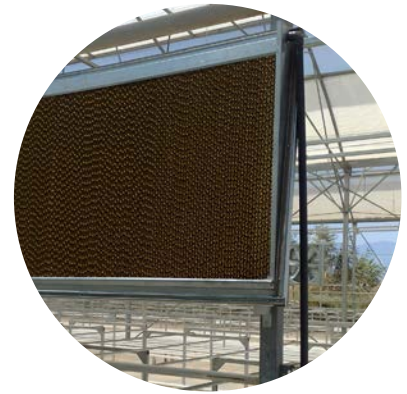
General Overview of Timfog Products - I



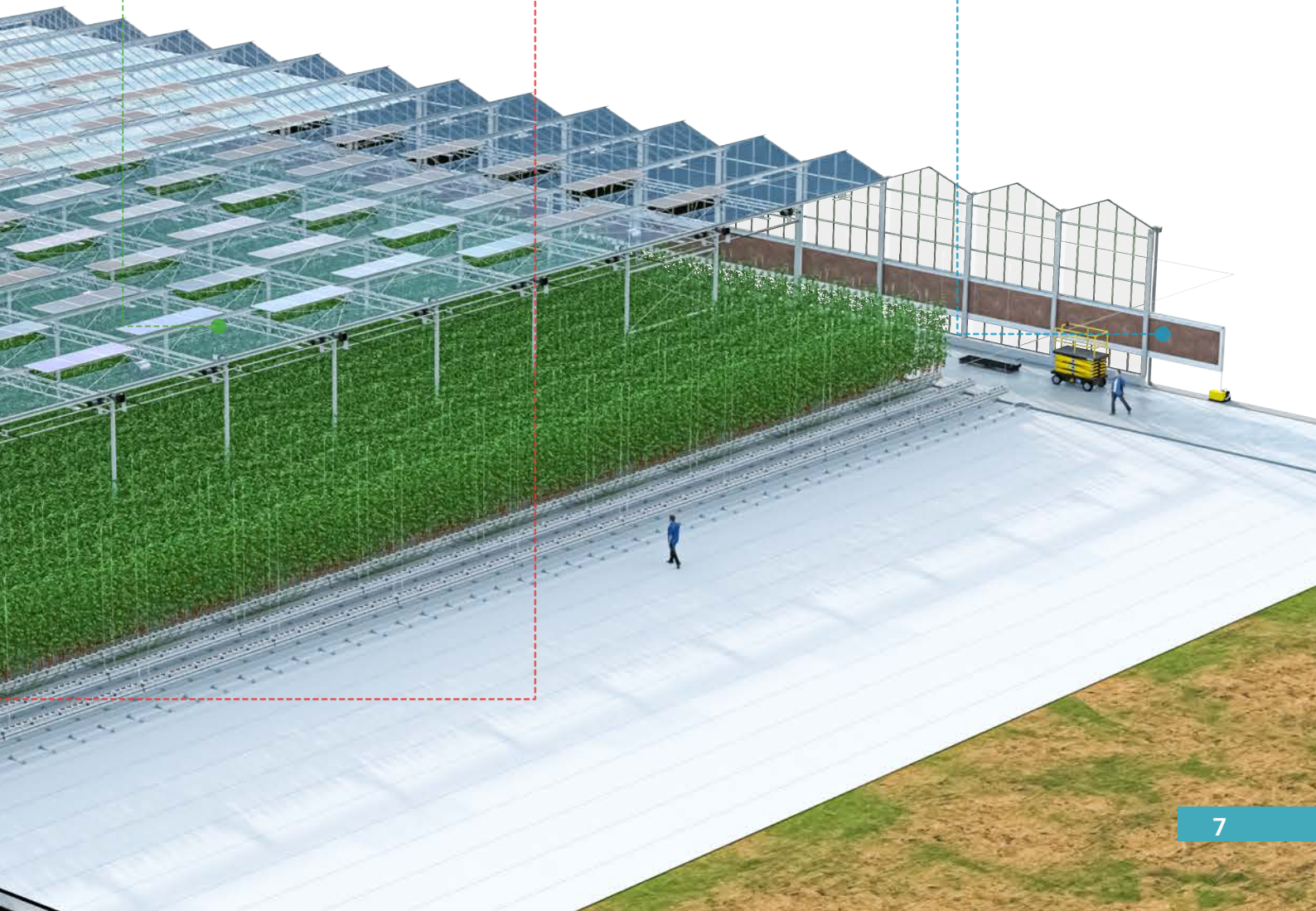
STAINLESS STEEL
NOZZLED PIPED



HEATING LINES
& EQUIPMENT



FAN & PAD
SYSTEM



- HEATING SYSTEM**
- GREENHOUSE AIR CONDITIONING SYSTEM**
- HIGH-PRESSURE MISTING SYSTEM**



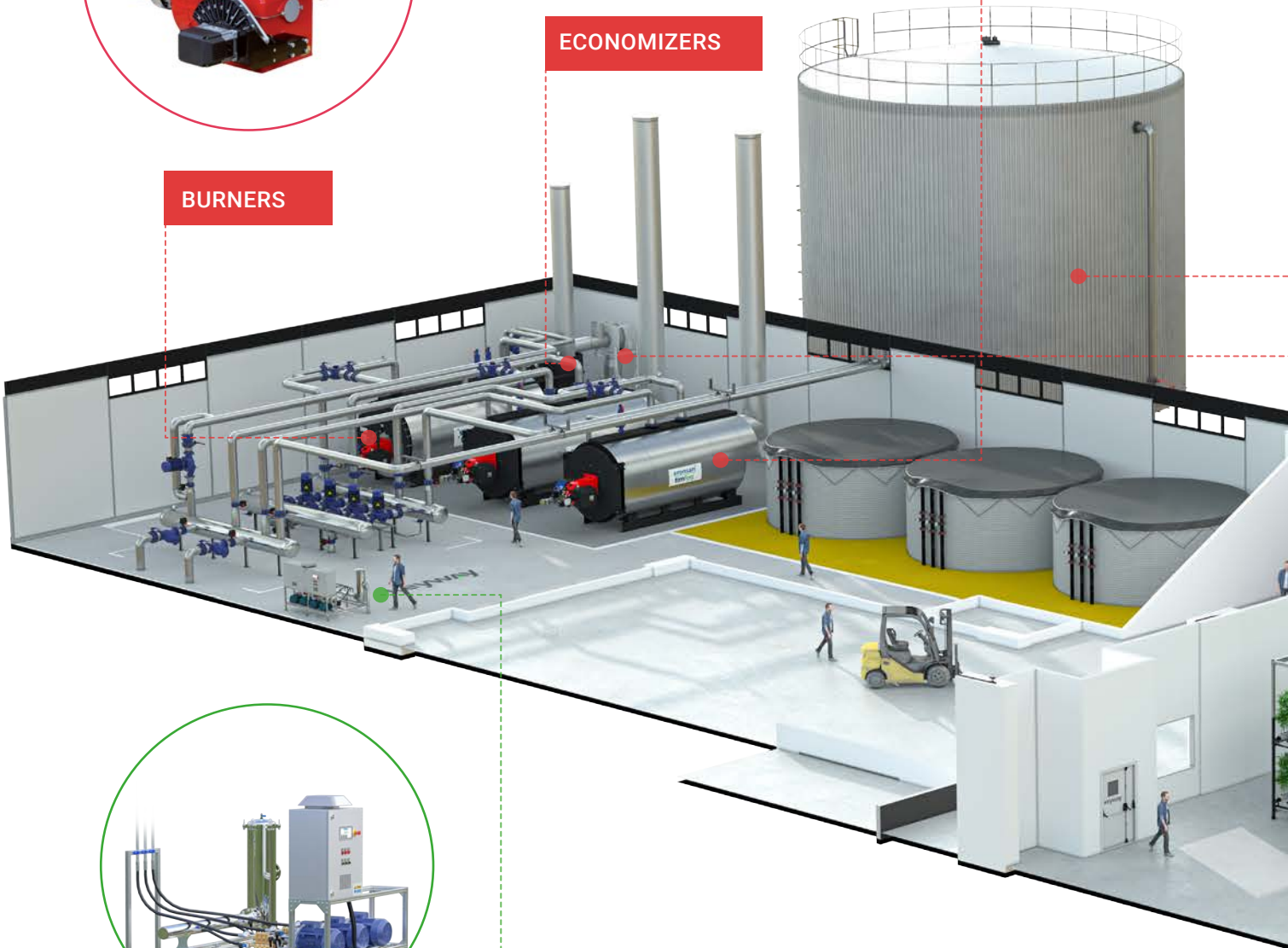
HOT WATER BOILERS



ECONOMIZERS



BURNERS



HIGH-PRESSURE PUMP UNITS

General Overview of Timfog Products - II Indoor cultivation



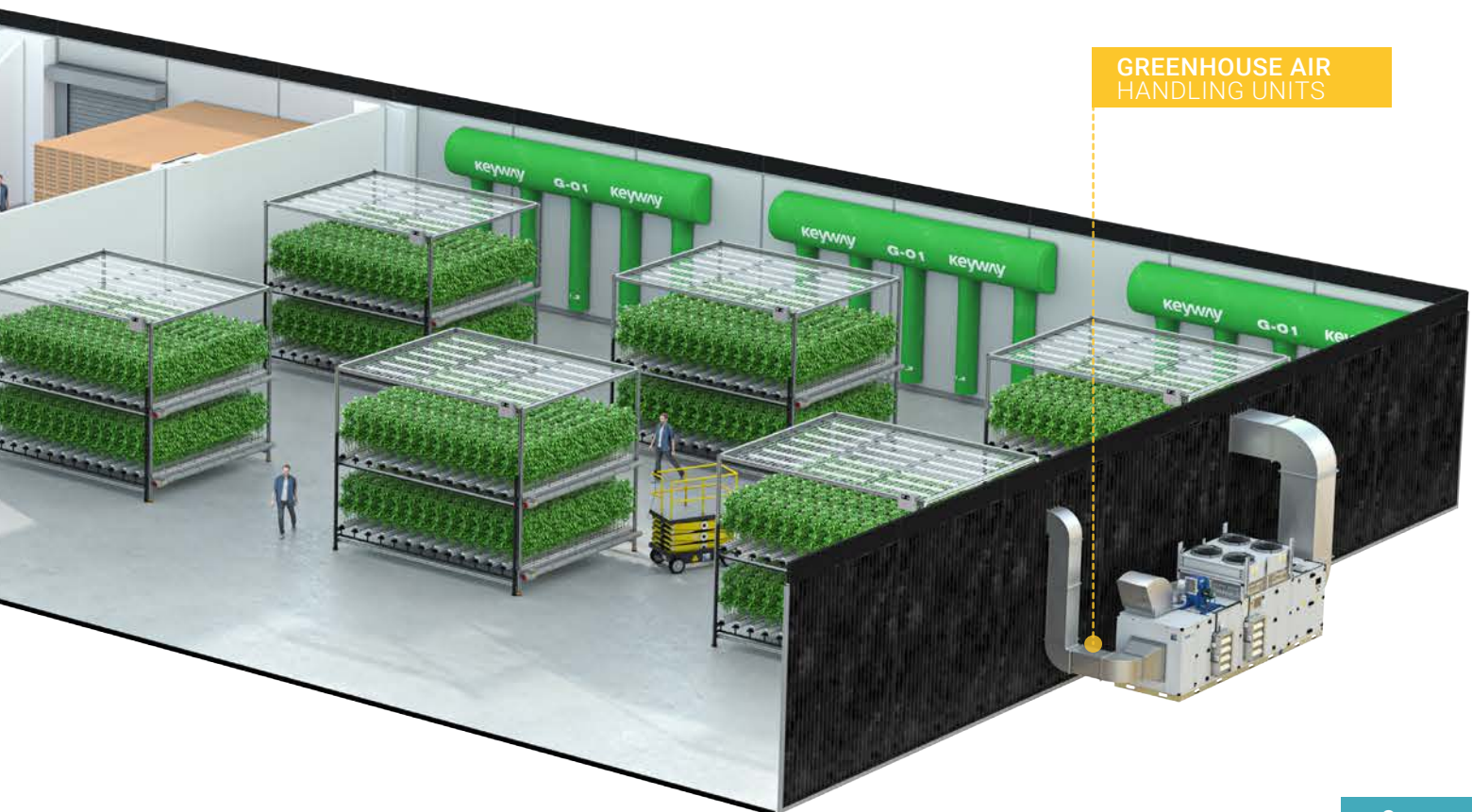
BUFFER TANKS

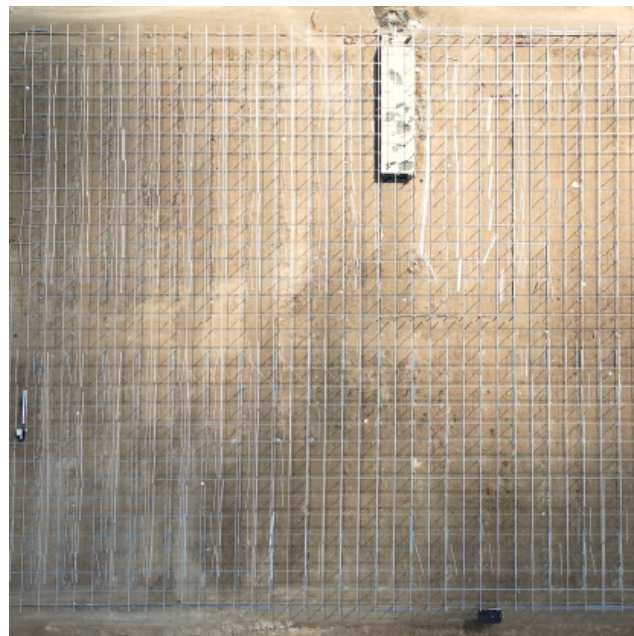
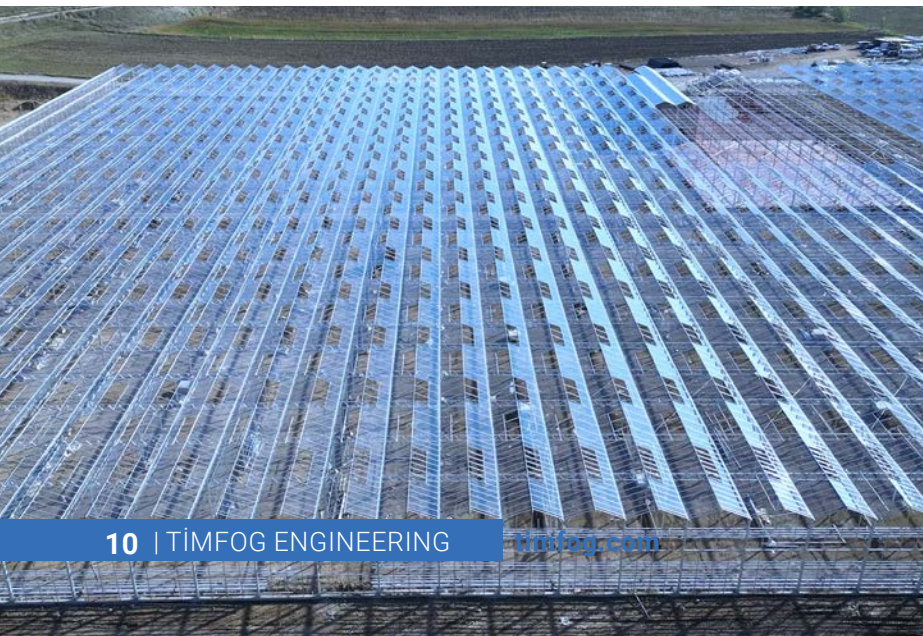
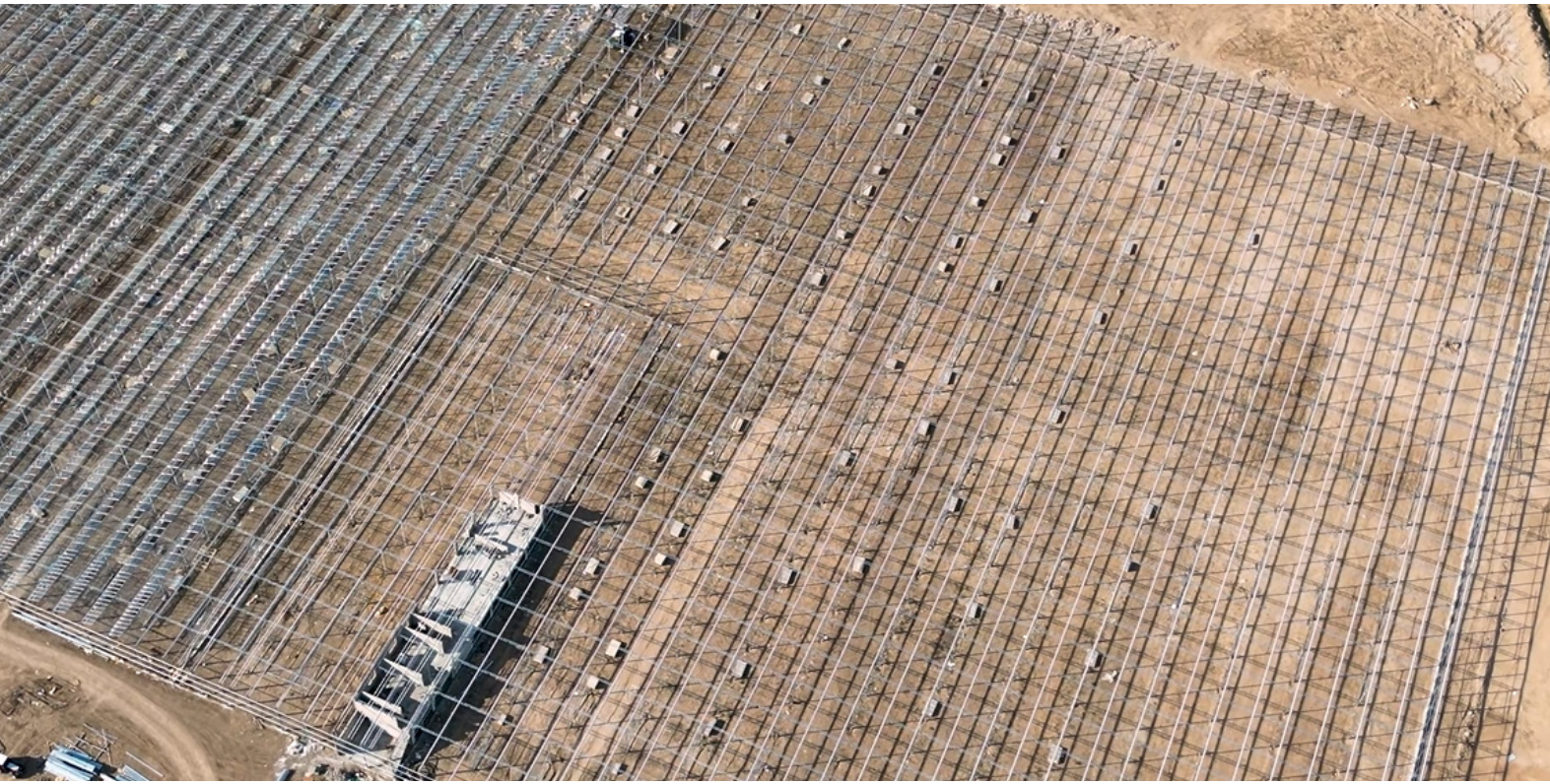


CO₂ SYSTEM



GREENHOUSE AIR
HANDLING UNITS

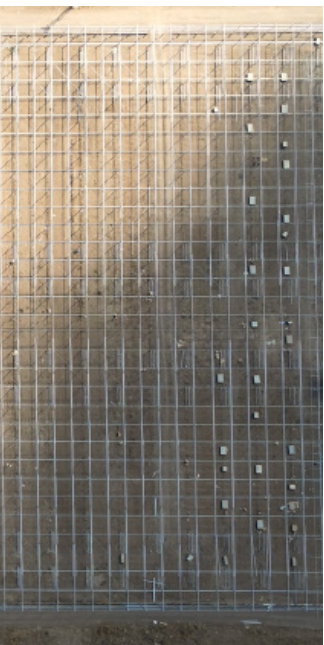






Greenhouse Structure Systems

The Greenhouse Construction Systems that Timfog has been working on for the last 4 years and has put into practice with the slogan "Creating Perfect Greenhouses" offer many different advantages over its competitors.



GREENHOUSE STRUCTURE SYSTEMS

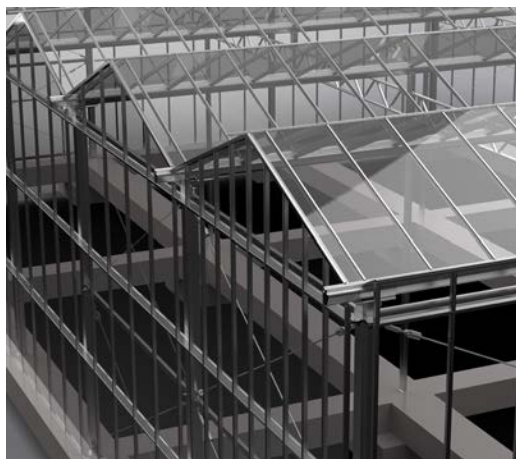
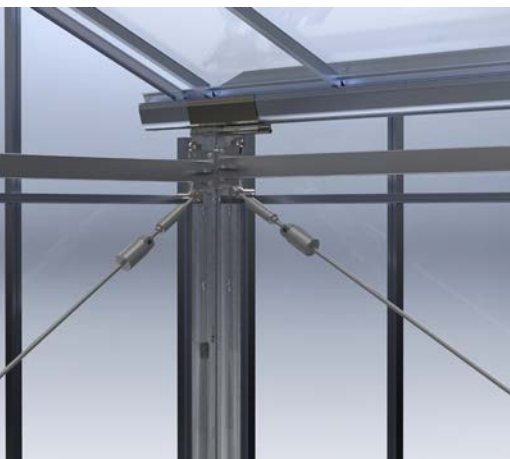
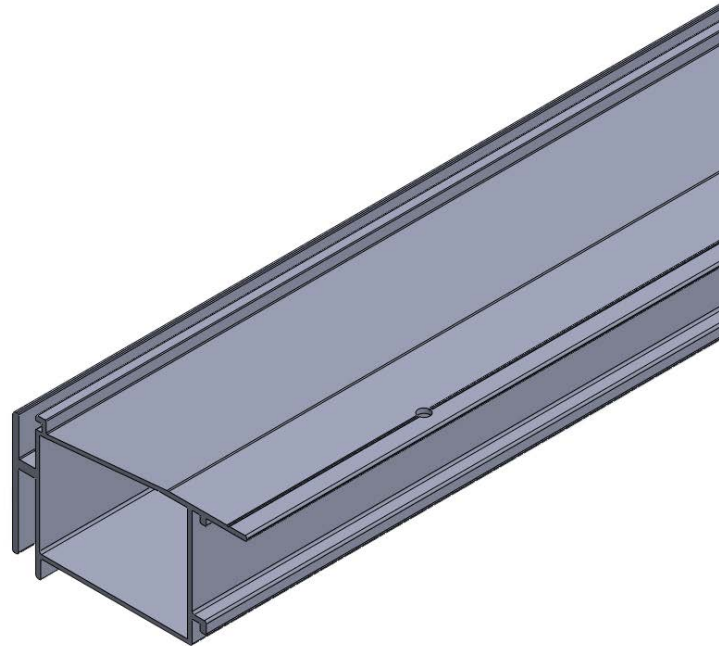
GREENHOUSE STRUCTURE PROFILES

• **Durability:** Our products are designed to withstand harsh environmental conditions for many years. We use only the highest quality materials and advanced manufacturing processes to ensure they pass rigorous durability tests.

• **Energy Efficiency:** We make a dedicated effort to minimize the environmental impact of our construction profiles both during production and after installation. Thanks to their unique insulation and sealing features, our profiles help reduce your operational heating and cooling costs.

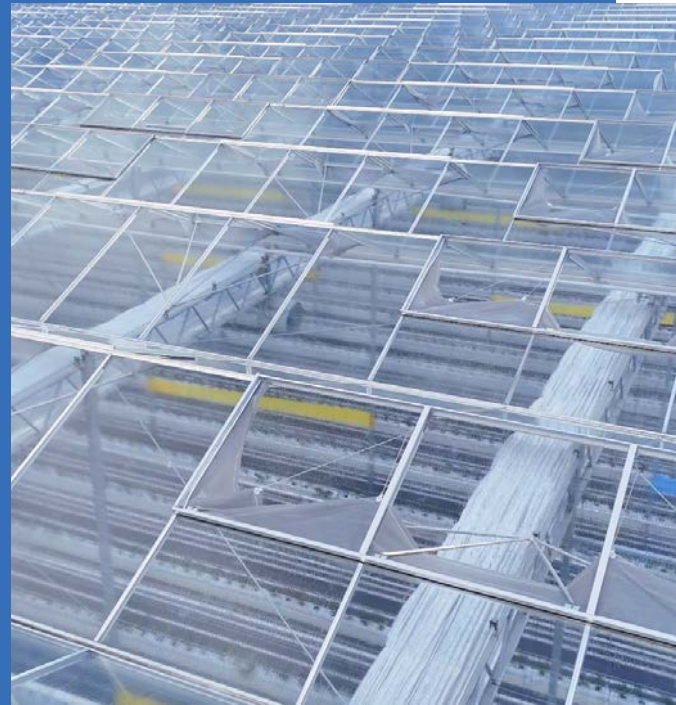
• **Special Grooved Design:** Our design, built to withstand extreme weather conditions, allows for the quick installation of greenhouse glass.

• **Easy Installation:** Our profiles are engineered to work seamlessly with other greenhouse construction components such as thermal screens and drive systems—minimizing the time and effort needed to build a high-quality greenhouse and get it up and running.



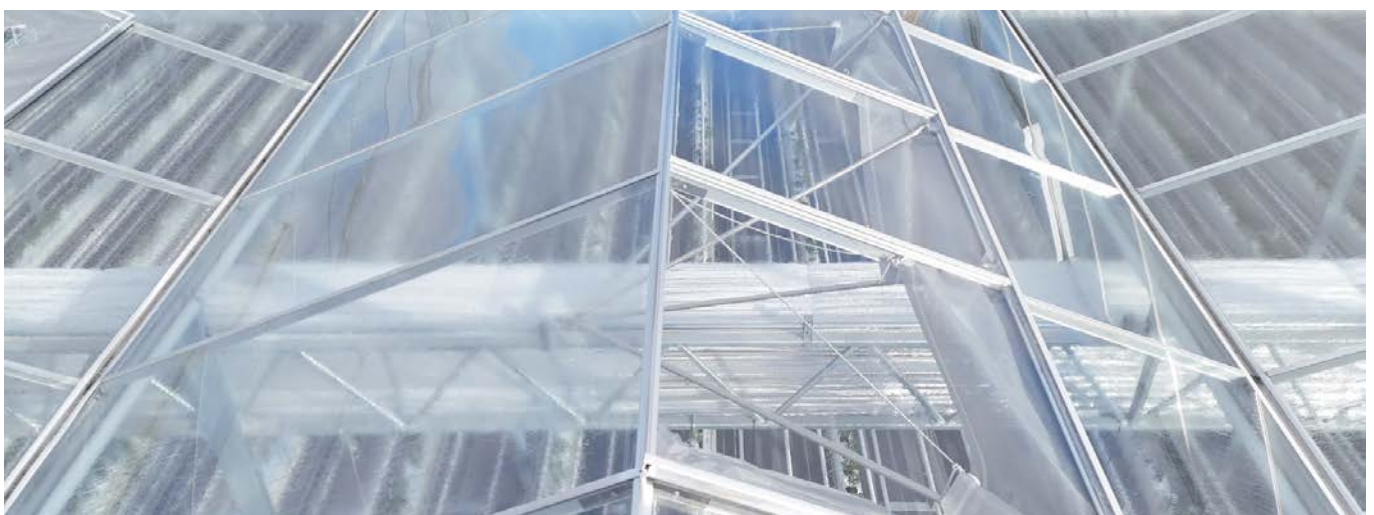
DRIVE MECHANISM

- **Optional Drive Mechanisms:** We offer various drive mechanism options—including manual, electric, and hydraulic systems—to easily control greenhouse ventilation windows.
- **Low Maintenance Requirement:** Thanks to their special design, our drive mechanisms ensure smooth operation with minimal maintenance. They are tested and approved to meet industry standards for durability.
- **Energy Efficiency:** Our systems help reduce overall energy costs by optimizing the fresh air circulation inside your greenhouse.
- **Extensive Configuration Options:** To meet the specific needs of your greenhouse, we offer both linear and rotary drive systems.



THERMAL SCREENS

- **Long-Lasting Materials:** We use materials that are resistant to UV rays and extreme weather conditions, ensuring our climate screens remain effective for many years.
- **Flexible Design Options:** To meet the unique needs of each greenhouse, we offer climate screens in various sizes and shapes. With custom design options, we provide the most suitable solution for your requirements.
- **Advanced Climate Control:** Our greenhouse climate screens optimize temperature and humidity levels inside the greenhouse, creating the ideal growing environment for your plants.
- **Energy Efficiency:** Our climate screens significantly reduce heat and energy loss, helping you lower your energy costs. With superior insulation properties, they minimize your greenhouse's overall energy consumption.



ALUMINUM PROFILES

Stock CODE	Model	Product Description	Material	Dimensions (HxWxL)	Thickness	Weight
1.117.267.047	FAP	Foundation Skirt Profile-1	Aluminum	52,00 x 44,00 x 10.000,00 mm	1,30 mm	6,48 kg
1.117.267.048	FAP	Foundation Skirt Profile-2	Aluminum	32,82 x 72,30 x 10.000,00 mm	1,30 mm	6,72 kg
1.117.267.049	FAP	Foundation Skirt Profile-3	Aluminum	32,82 x 78,30 x 10.000,00 mm	1,30 mm	6,96 kg
1.117.267.073	WBP	Gutter Side Interior Closure Profile-1	Aluminum	15,00 x 186,14 x 10.000,00 mm	2,00 mm	12,63 kg
1.117.267.074	WBP	Gutter Side Interior Closure Profile-2	Aluminum	103,18 x 141,20 x 10.000,00 mm	1,50 mm	8,10 kg
1.117.267.045	GCC	Rain Gutter Joint Piece	Aluminum	103,29 x 111,00 x 240,00 mm	2,50 mm	0,40 kg
1.117.267.046	GCS	Gutter Connection and Alignment Piece	Aluminum	28,03 x 32,23 x 240,00 mm	1,80 mm	0,16 kg
1.117.267.079	RFB	Roof Profile-1	Aluminum	48,02 x 25,00 x 2.146,50 mm	1,30 mm	1,42 kg
1.117.267.080	RFB	Roof Profile-2	Aluminum	40,00 x 25,00 x 2.146,50 mm	1,30 mm	1,56 kg
1.117.267.081	RFB	Roof Profile-3	Aluminum	51,22 x 25,00 x 2.146,50 mm	1,30 mm	1,52 kg
1.117.267.082	RFB	Roof Profile-4	Aluminum	8,11 x 24,98 x 2.146,50 mm	1,30 mm	0,40 kg
1.117.267.083	RGP	Roof Ridge Profile-1	Aluminum	47,02 x 38,55 x 8.385,00 mm	1,40 mm	5,41 kg
1.117.267.084	RGP	Roof Ridge Profile-2	Aluminum	47,02 x 38,55 x 10.000,00 mm	1,40 mm	6,45 kg
1.117.267.085	RGP	Roof Ridge Profile-3	Aluminum	47,02 x 38,55 x 4.375,00 mm	1,40 mm	2,83 kg
1.117.267.086	RGP	Roof Ridge Profile-4	Aluminum	47,02 x 38,55 x 9.377,00 mm	1,40 mm	6,00 kg
1.117.267.070	USP	Upper Covering Profile-1	Aluminum	43,00 x 46,93 x 10.000,00 mm	6,53 mm	1,70 kg
1.117.267.071	USP	Upper Covering Profile-2	Aluminum	43,00 x 52,93 x 10.000,00 mm	6,80 mm	1,70 kg
1.117.267.072	USP	Upper Covering Profile-3	Aluminum	43,00 x 58,93 x 10.000,00 mm	7,07 mm	1,70 kg
1.117.267.042	GTA	Column Gutter Adapter-1	Aluminum	134,35 x 113,00 x 400,00 mm	3,60 mm	1,92 kg
1.117.267.043	GTA	Column Gutter Adapter-2	Aluminum	134,35 x 113,00 x 100,00 mm	3,50 mm	0,54 kg
1.117.267.044	GTA	Column Gutter Adapter-3	Aluminum	134,35 x 113,00 x 100,00 mm	3,50 mm	0,55 kg
1.117.267.035	GTP	Rain Gutter Profile - 1	Aluminum	145,73 x 105,00 x 6.250,00 mm	3,50 mm	22,34 kg
1.117.267.036	GTP	Rain Gutter Profile - 2	Aluminum	145,73 x 105,00 x 6.250,00 mm	3,50 mm	22,34 kg
1.117.267.037	GTP	Rain Gutter Profile - 3	Aluminum	145,73 x 105,00 x 10.000,00 mm	3,50 mm	35,74 kg
1.117.267.038	GTP	Rain Gutter Profile - 4	Aluminum	145,73 x 105,00 x 9.875,00 mm	3,50 mm	35,30 kg
1.117.267.039	GTP	Rain Gutter Profile - 5	Aluminum	145,73 x 105,00 x 5.000,00 mm	3,50 mm	17,87 kg
1.117.267.040	GTP	Rain Gutter Profile - 6	Aluminum	145,73 x 105,00 x 10.000,00 mm	3,50 mm	35,74 kg
1.117.267.041	GTP	Rain Gutter Profile - 7	Aluminum	145,73 x 105,00 x 5.000,00 mm	3,50 mm	17,87 kg
1.117.267.052	FWG	Front Post Profile - 1	Aluminum	53,40 x 40,00 x 5.950,00 mm	1,20 mm	4,81 kg
1.117.267.053	FWG	Front Post Profile - 2	Aluminum	53,40 x 40,00 x 6.305,00 mm	1,20 mm	5,10 kg
1.117.267.054	FWG	Front Post Profile - 3	Aluminum	53,40 x 40,00 x 6.510,00 mm	1,20 mm	5,26 kg
1.117.267.055	FWG	Front Post Profile - 4	Aluminum	53,40 x 40,00 x 6.720,00 mm	1,20 mm	5,43 kg
1.117.267.056	FWG	Front Post Profile - 5	Aluminum	53,40 x 40,00 x 6.920,00 mm	1,20 mm	5,60 kg
1.117.267.057	FWG	Front Post Profile - 6	Aluminum	47,40 x 40,00 x 5.950,00 mm	1,20 mm	4,49 kg
1.117.267.058	FWG	Front Post Profile - 7	Aluminum	47,40 x 40,00 x 6.305,00 mm	1,20 mm	4,75 kg
1.117.267.059	FWG	Front Post Profile - 8	Aluminum	47,40 x 40,00 x 6.510,00 mm	1,20 mm	4,90 kg
1.117.267.060	FWG	Front Post Profile - 9	Aluminum	47,40 x 40,00 x 6.720,00 mm	1,20 mm	5,06 kg
1.117.267.061	FWG	Front Post Profile - 10	Aluminum	47,40 x 40,00 x 6.920,00 mm	1,20 mm	5,21 kg
1.117.267.050	SWG	Side Post Profile - 1	Aluminum	53,40 x 40,00 x 6.185,00 mm	1,20 mm	5,00 kg
1.117.267.051	SWG	Side Post Profile - 2	Aluminum	47,40 x 40,00 x 6.185,00 mm	1,20 mm	4,66 kg
1.117.267.067	FWW	Front Horizontal Glazing Profile	Aluminum	38,22 x 42,90 x 758,00 mm	1,30 mm	0,40 kg
1.117.267.068	SWW	Side Horizontal Glazing Profile	Aluminum	38,22 x 42,90 x 673,00 mm	1,30 mm	0,35 kg
1.117.267.062	IWG	Interior Partition Wall Vertical Profile-1	Aluminum	41,90 x 40,00 x 5.970,00 mm	1,20 mm	4,40 kg
1.117.267.063	IWG	Interior Partition Wall Vertical Profile-2	Aluminum	41,90 x 40,00 x 5.950,00 mm	1,20 mm	4,31 kg
1.117.267.064	IWG	Interior Partition Wall Vertical Profile-3	Aluminum	41,90 x 40,00 x 6.425,00 mm	1,20 mm	4,65 kg
1.117.267.065	IWG	Interior Partition Wall Vertical Profile-4	Aluminum	41,90 x 40,00 x 6.760,00 mm	1,20 mm	4,90 kg
1.117.267.066	-	Upright Profile Fastening Piece	Aluminum	30,18 x 6,49 x 30,00 mm	3,00 mm	0,001 kg
1.117.267.075	RSP	Roof Starter Profile-1	Aluminum	53,65 x 52,82 x 2.142,00 mm	1,30 mm	2,24 kg
1.117.267.077	RSP	Roof Starter Profile-3	Aluminum	53,65 x 64,82 x 2.142,00 mm	1,30 mm	2,45 kg
1.117.267.091	RVP	Small Glass Fixing Profile-1	Aluminum	31,70 x 27,75 x 598,00 mm	1,00 mm	0,24 kg
1.117.267.092	RVP	Small Glass Fixing Profile-2	Aluminum	31,70 x 27,75 x 1.223,00 mm	1,00 mm	0,48 kg
1.117.267.093	VDP	Operable Window Bottom Profile-1	Aluminum	43,43 x 31,70 x 3.776,00 mm	1,10 mm	2,28 kg
1.117.267.094	VDP	Operable Window Bottom Profile-2	Aluminum	43,43 x 31,70 x 3.776,00 mm	1,10 mm	2,28 kg

*Aluminum profiles are sold as a system.

GREENHOUSE STRUCTURE PROFILES

ALUMINUM PROFILES

Stock Code	Model	Product Description	Material	Dimensions (HxWxL)	Thickness	Weight
1.117.267.095	VUP	Operable Window Upper Profile-1	Aluminum	39,49 x 17,10 x 3.775,00 mm	1,00 mm	1,46 kg
1.117.267.096	VUP	Operable Window Upper Profile -2	Aluminum	39,49 x 17,10 x 3.775,00 mm	1,00mm	1,46 kg
1.117.267.087	-	Roof Ridge External Insert Piece-1	Aluminum	57,66 x 23,63 x 100,00 mm	2,00 mm	0,06 kg
1.117.267.088	-	Roof Ridge Internal Insert Piece-1	Aluminum	11,08 x 18,79 x 100,00 mm	2,64 mm	0,03 kg
1.117.267.089	-	Roof Profile to Gutter Fastening Piece-1	Aluminum	39,66 x 34,98 x 35,00 mm	3,00 mm	0,02 kg
1.117.267.090	-	Roof Profile to Gutter Fastening Piece-2	Aluminum	39,66 x 34,98 x 75,00 mm	3,00 mm	0,04 kg
1.117.267.102	PGP	Panel Ridge	Aluminum	41,68 x 130,66 x 10.000,00 mm	2,50 mm	18,00 kg
1.117.267.104	PGC	Panel Gutter Cover Sheet	Aluminum	42,93 x 87,03 x 10.000,00 mm	1,30 mm	0,03 kg
1.117.267.105	RTP	Ridge Tensioning Device	Aluminum	28,54 x Ø 9,00 x 50,00 mm	1,80 mm	0,16 kg
1.117.267.106	RTS	Ridge Tensioning Plate	Aluminum	38,63 x 109,34 x 30,00 mm	3,00 mm	0,04 kg
1.117.267.108	GCC	Chamber Blind Cover Adapter	Aluminum	103,29 x 111,00 x 110,00 mm	2,50 mm	1,19 kg
1.017.097.454	RWC	Rainwater Collection Chamber	Non-Alloyed Aluminum Sheet	453,69 x 324,00 x 432,00 mm	2,00 mm	2,65 kg
1.017.097.462	GRS	Gutter Chamber Roof Edge Sheet	Non-Alloyed Aluminum Sheet	264,72 x 339,92 mm	2,00 mm	0,38 kg
1.017.097.463	GRS	Gutter Chamber Roof Edge Sheet	Non-Alloyed Aluminum Sheet	264,72 x 339,92 mm	2,00 mm	0,38 kg

STEEL PROFILES

Stock Code	Model	Product Description	Material	Dimensions (HxWxL)	Thickness	Weight
1.117.266.001	TRG	Greenhouse Truss	S235 Steel	60.520,00 x 7.860,00 mm	2,00 mm	65,00 kg
1.117.266.002	TNA	Top Tension Connection Angle Bracket	S235 Steel	50,00 x 50,00 x 100,00 mm	6,00 mm	0,50 kg
1.117.266.003	TGA	Truss Top Gutter Support Profile	S235 Steel	240,00 x 170,00 x 60,00 mm	4,00 mm	2,40 kg
1.117.266.004	SWP	Side Wall Column Set - 1	S235 Steel	60,00 x 140,00 x 5.990,00 mm	4,00 mm	73,65 kg
1.117.266.005	SWP	Side Wall Column Set - 2	S235 Steel	60,00 x 140,00 x 5.990,00 mm	4,00 mm	73,65 kg
1.117.266.006	SWC	Side Wall Tension Rod Set	S235 Steel	Ø11,00 x 3.209,50 mm	11,00 mm	3,54 kg
1.117.266.008	SWB	Side Wall Tension Profile Set - 1	S235 Steel	50,00 x 100,00 x 2.440,00 mm	2,50 mm	17,57 kg
1.117.266.009	SWB	Side Wall Tension Profile Set - 2	S235 Steel	50,00 x 50,00 x 2.440,00 mm	2,50 mm	12,47 kg
1.117.266.059	SWB	Side Wall Tension Profile Set - 3	S235 Steel	50,00 x 50,00 x 2.440,00 mm	2,50 mm	11,91 kg
1.117.266.024	SFP	Profile (Without Tension) Single Hole Set	S235 Steel	60,00 x 140,00 x 1.270,00 mm	4,00 mm	15,14 kg
1.117.266.057	SFP	Profile (Without Tension) Double Hole Set	S235 Steel	60,00 x 140,00 x 1.270,00 mm	4,00 mm	15,14 kg
1.117.266.058	SFP	Profile (With Tension) Double Hole Set	S235 Steel	60,00 x 140,00 x 1.270,00 mm	4,00 mm	15,13 kg
1.117.266.060	RCB	Tension Rod (For Roof)	S235 Steel	Ø11,00 x 62.215,00 mm	Ø11,00 mm	6,01 kg
1.117.266.015	IWP	Inner Column - 1	S235 Steel	60,00 x 40,00 x 5.990,00 mm	4,00 mm	70,7 kg
1.117.266.016	IWP	Inner Column - 2	S235 Steel	60,00 x 40,00 x 5.990,00 mm	4,00 mm	70,7 kg
1.117.266.017	ITB	Interior Greenhouse Tension Profile Set- 1	S235 Steel	50,00 x 100,00 x 4.940,00 mm	2,50 mm	31,61 kg
1.117.266.040	ITB	Interior Greenhouse Tension Profile Set - 2	S235 Steel	50,00 x 50,00 x 4.940,00 mm	2,50 mm	21,74 kg
1.117.266.041	ITB	Interior Greenhouse Tension Profile Set - 3	S235 Steel	50,00 x 50,00 x 4.940,00 mm	2,50 mm	21,18 kg
1.117.266.019	FWP	Front Wall Column Set - 1	S235 Steel	100,00 x 200,00 x 5.990,00 mm	4,00 mm	114,27 kg
1.117.266.020	FWP	Front Wall Column Set - 2	S235 Steel	100,00 x 200,00 x 5.990,00 mm	4,00 mm	114,23 kg
1.117.266.021	FTB	Front Wall Tension Profile Set- 1	S235 Steel	50,00 x 100,00 x 3.900,00 mm	2,50 mm	25,5 kg
1.117.266.034	FTB	Front Wall Tension Profile Set - 2	S235 Steel	50,00 x 50,00 x 3.900,00 mm	2,50 mm	17,88 kg
1.117.266.035	FTB	Front Wall Tension Profile Set - 3	S235 Steel	50,00 x 50,00 x 3.900,00 mm	2,50 mm	17,32 kg
1.117.266.022	FCB	Front Wall Tension Rod Set	S235 Steel	Ø11,00 x 4.360,00 mm	Ø11,00 mm	3,77 kg
1.117.266.023	CWP	Corner Column Set	S235 Steel	100,00 x 200,00 x 5.990,00 mm	4,00 mm	116,57 kg
1.117.266.007	ITC	Interior Greenhouse Tension Rod Set	S235 Steel	Ø11,00 x 5.340,00 mm	Ø11,00 mm	5,24 kg
1.017.097.438		Roof Profile Joining Plate	AISI 304 Stainless Steel Sheet	32,00 x 268,50 mm	2,50 mm	0,17 kg
1.017.097.439		Roof Starter Profile Joining Plate	AISI 304 Stainless Steel Sheet	33,50 x 266,95 mm	2,50 mm	0,19 kg
1.017.097.447	CGS	Glass Greenhouse Corner-Gutter Cover Sheet-1	DX51D+Z Galvanize Sheet	281,50 x 183,20 x 2.083,00 mm	1,00 mm	7,51 kg
1.017.097.449	CGS	Glass Greenhouse Corner-Gutter Cover Sheet-2	DX51D+Z Galvanize Sheet	281,50 x 183,20 x 2.083,00 mm	1,00 mm	7,51 kg
1.017.097.450	CCS	Glass Greenhouse Corner Cover Sheet-1	DX51D+Z Galvanize Sheet	281,50 x 183,20 x 2.083,00 mm	1,00 mm	7,60 kg
1.017.097.451	CCS	Glass Greenhouse Corner Cover Sheet-2	DX51D+Z Galvanize Sheet	281,50 x 183,20 x 2.083,00 mm	1,00 mm	7,60 kg
1.017.097.452		Glass-Gutter Bottom Cover Sheet	DX51D+Z Galvanize Sheet	158,03 x 156,00 mm	1,00 mm	0,18 kg
	C	C Profile - 1	DX51D+Z Galvanize Sheet	40,00 x 80,00 x 4.000,00 mm	2,50 mm	14,04 kg
	C	C Profile - 2	DX51D+Z Galvanize Sheet	40,00 x 80,00 x 5.000,00 mm	2,50 mm	17,55 kg

*Steel profiles are sold as a system.

OUTER FRONT WALL

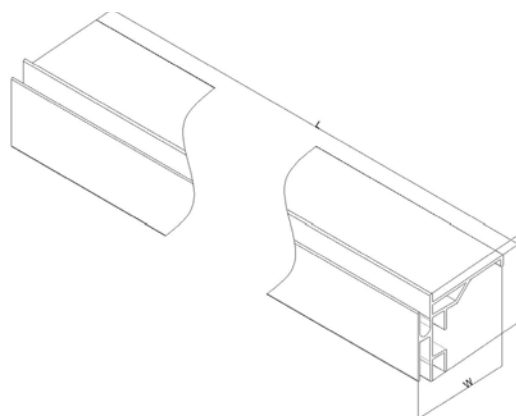
- FAP**
FOUNDATION ALUMINUM PROFILES
- FWW**
FRONT WALL HORIZONTAL SIDE PROFILES
- C**
FRONT HORIZONTAL SIDE PROFILES
- FWP**
FRONT COLUMN PROFILES



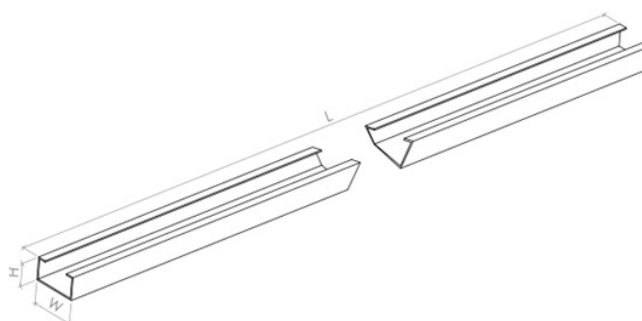
GREENHOUSE STRUCTURE PROFILES

FRONT HORIZONTAL SIDE PROFILES

Stock Code	1.117.267.030
Model	FWW
Product Description	Front Horizontal Side Profiles -1
Material	Aluminum
Dimensions (HxWxL) (mm)	36,00 x 60,00 x 360,00
Thickness (mm)	1,20
Weight (kg)	0,30

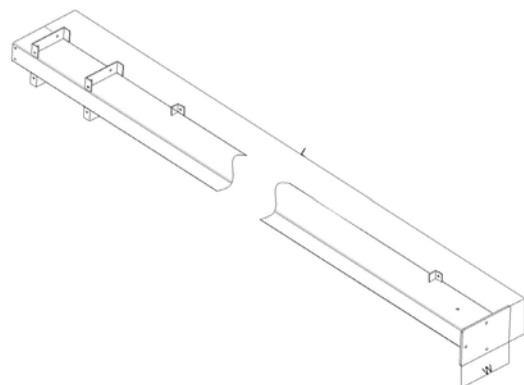


Stock Code		
Model	C	C
Product Description	C Profile - 1	C Profile - 2
Material	ST-37 - DX51D+Z Galvanize Sheet	ST-37 - DX51D+Z Galvanize Sheet
Dimensions (HxWxL) (mm)	40,00 x 80,00 x 4.000,00	40,00 x 80,00 x 5.000,00
Thickness (mm)	2,50	2,50
Weight (kg)	14,04	17,55



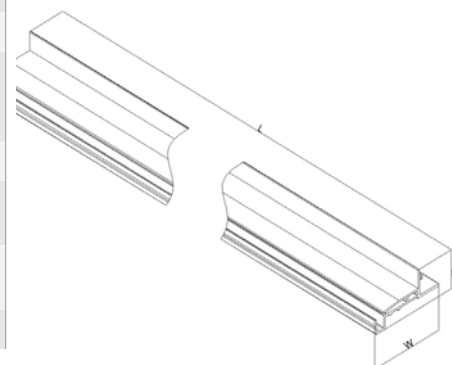
FRONT POST PROFILES

Stock Code	1.117.266.019	1.117.266.020
Model	FWP	FWP
Product Description	Front Post Profile Sets-1	Front Post Profile Sets- 2
Material	S235 Steel	S235 Steel
Dimensions (HxWxL) (mm)	100,00 x 200,00 x 5.990,00	100,00 x 200,00 x 5.990,00
Thickness (mm)	4,00	4,00
Weight (kg)	114,27	114,28



FOUNDATION ALUMINUM PROFILES

Stock Code	1.117.267.047	1.117.267.048	1.117.267.048
Model	FAP	FAP	FAP
Product Description	Foundation Closure Profile -1 (For 4 mm Glass)	Foundation Closure Profile - 2 (For 10 mm Glass)	Foundation Closure Profile-3 (For 16 mm Glass)
Material	Aluminum	Aluminum	Aluminum
Dimensions (HxWxL) (mm)	52,00 x 44,00 x 10.000,00	32,82 x 72,30 x 10.000,00	32,82 x 72,30 x 10.000,00
Thickness (mm)	1,30	1,30	1,30
Weight (kg)	6,48	6,72	6,96



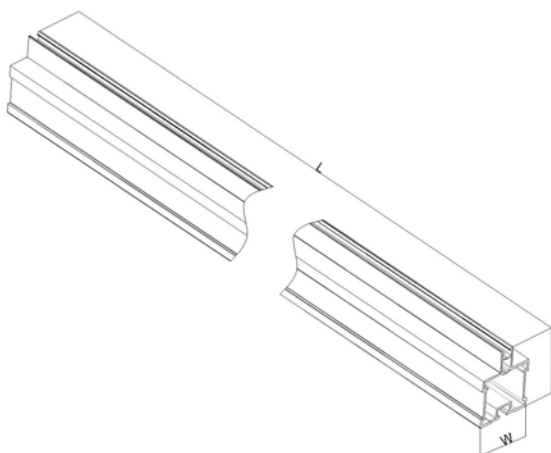
*Sold as a System.



INNER FRONT WALL

- FWG
- FRONT VERTICAL POST PROFILES

FRONT VERTICAL POST PROFILES



Stock Code	1.117.267.052	1.117.267.053	1.117.267.054	1.117.267.055	1.117.267.056	1.117.267.057
Model	FWG	FWG	FWG	FWG	FWG	FWG
Product Description	Front Vertical Post Profiles - 1	Front Vertical Post Profiles - 2	Front Vertical Post Profiles - 3	Front Vertical Post Profiles - 4	Front Vertical Post Profiles - 5	Front Vertical Post Profiles - 6
Material	Aluminum	Aluminum	Aluminum	Aluminum	Aluminum	Aluminum
Dimensions (HxWxL) (mm)	53,00 x 40,00 x 5.950,00	53,00 x 40,00 x 6.305,00	53,00 x 40,00 x 6.510,00	53,00 x 40,00 x 6.720,00	53,00 x 40,00 x 6.920,00	47,40 x 40,00 x 5.950,00
Thickness (mm)	1,20	1,20	1,20	1,20	1,20	1,20
Weight (kg)	4,81	5,10	5,26	5,43	5,60	4,49

Stock Code	1.117.267.058	1.117.267.059	1.117.267.060	1.117.267.061
Model	FWG	FWG	FWG	FWG
Product Description	Front Vertical Post Profiles - 7	Front Vertical Post Profiles - 8	Front Vertical Post Profiles - 9	Front Vertical Post Profiles - 10
Material	Aluminum	Aluminum	Aluminum	Aluminum
Dimensions (HxWxL) (mm)	47,40 x 40,00 x 6.305,00	47,40 x 40,00 x 6.510,00	47,40 x 40,00 x 6.720,00	47,40 x 40,00 x 6.920,00
Thickness (mm)	1,20	1,20	1,20	1,20
Weight (kg)	4,75	4,90	5,06	5,21

*Sold as System.

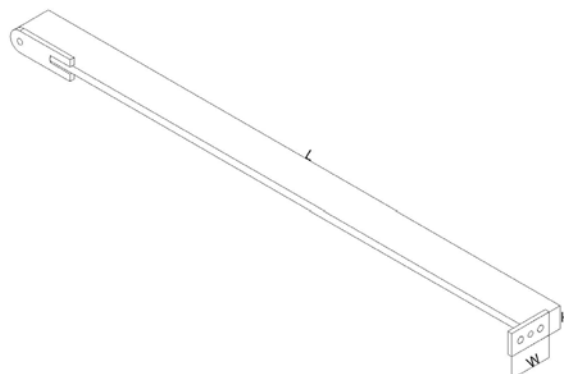


INNER FRONT WALL

- FTB**
FRONT TENSION PROFILE
- FCB**
FRONT TENSION KIT
- CWP**
CORNER POST PROFILES

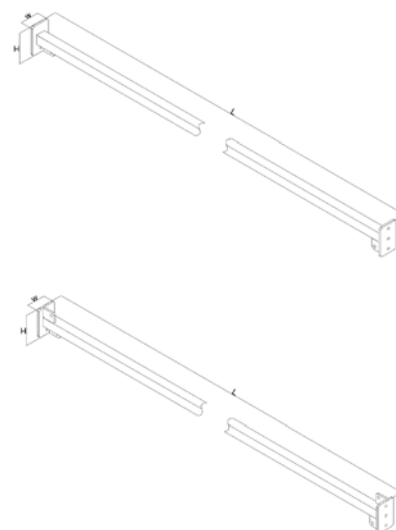
FRONT TENSION KIT

Stock Code	1.117.266.022
Model	FCB
Product Description	Front Facade Tension Rod Set
Material	S235 Steel
Dimensions (HxWxL) (mm)	Ø11,00 x 4.360,00
Thickness (mm)	Ø11,00
Weight (kg)	3,77



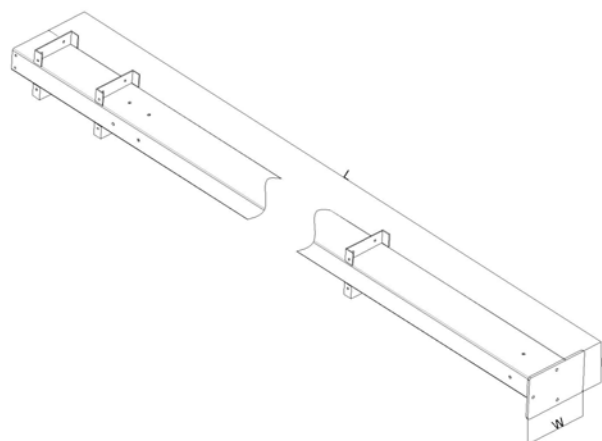
FRONT TENSION PROFILE

Stock Code	1.117.266.021	1.117.266.034	1.117.266.035
Model	FTB	FTB	FTB
Product Description	Front Facade Tensioning Profile Set - 1	Front Facade Tensioning Profile Set - 2	Front Facade Tensioning Profile Set - 3
Material	S235 Steel	S235 Steel	S235 Steel
Dimensions (HxWxL) (mm)	50,00 x 100,00 x 3.900,00	50,00 x 50,00 x 3.900,00	50,00 x 50,00 x 3.900,00
Thickness (mm)	2,50	2,50	2,50
Weight (kg)	25,50	17,88	17,32

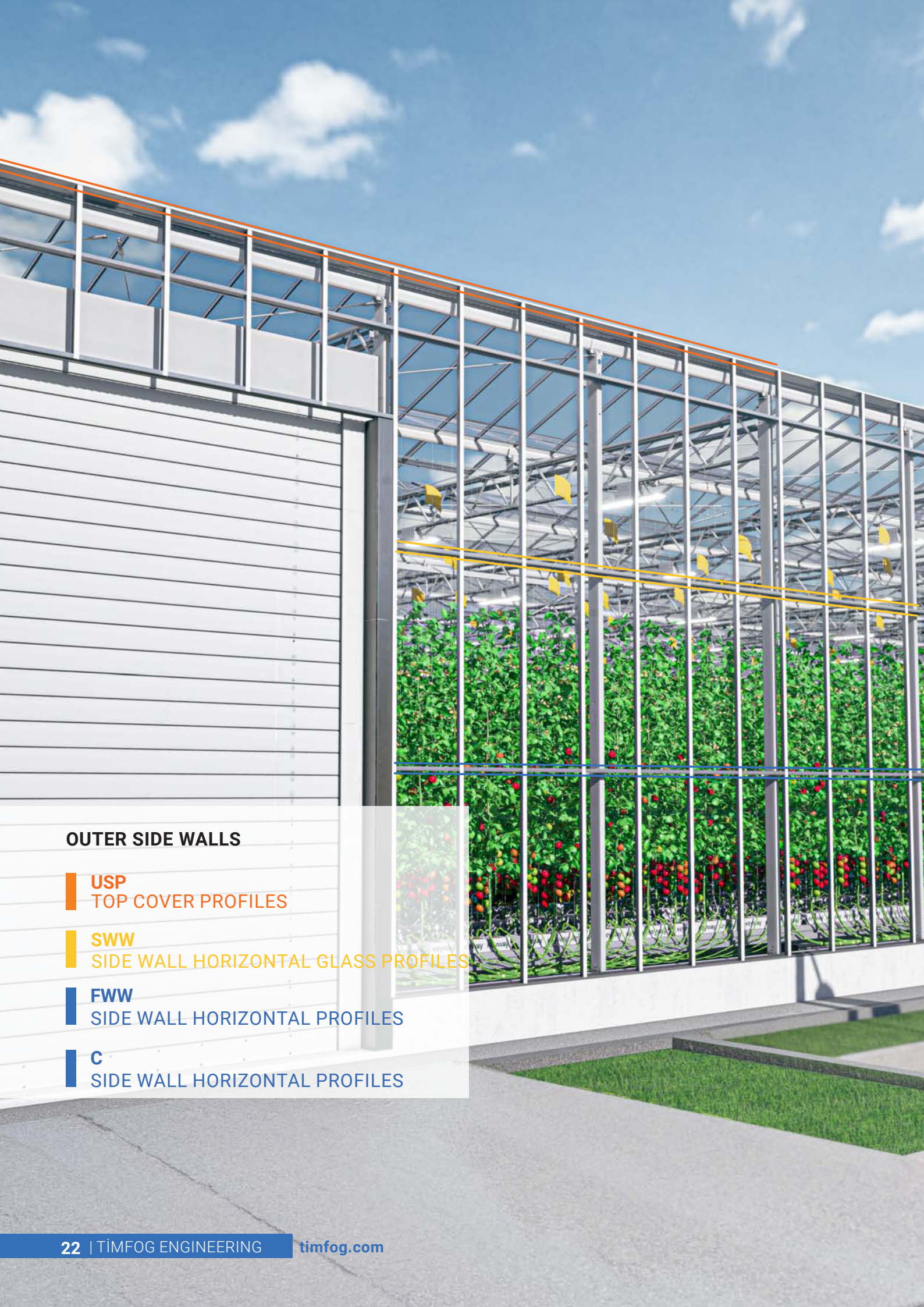


CORNER POST PROFILES

Stock Code	1.117.266.023
Model	CWP
Product Description	Corner Post
Material	S235 Steel
Dimensions (HxWxL) (mm)	100,00 x 200,00 x 5.990,00
Thickness (mm)	4,00
Weight (kg)	116,57



*Sold as System.



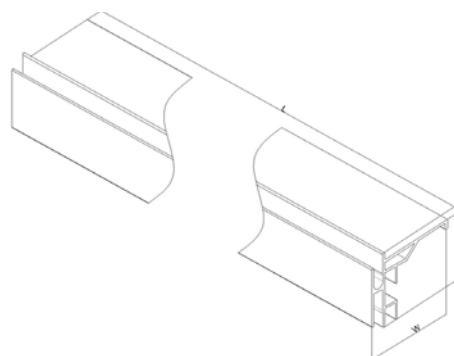
OUTER SIDE WALLS

- USP**
TOP COVER PROFILES
- SWW**
SIDE WALL HORIZONTAL GLASS PROFILES
- FWW**
SIDE WALL HORIZONTAL PROFILES
- C**
SIDE WALL HORIZONTAL PROFILES

GREENHOUSE STRUCTURE PROFILES

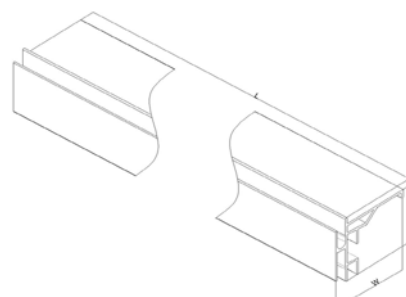
SIDE WALL HORIZONTAL GLASS PROFILES

Stock Code	1.117.267.068
Model	SWW
Product Description	Side Wall Horizontal Glass Profiles -1
Material	Aluminum
Dimensions (HxWxL) (mm)	38,22 x 42,90 x 673,00
Thickness (mm)	1,30
Weight (kg)	0,35

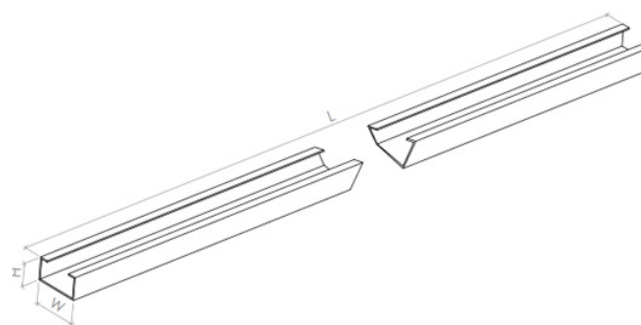


SIDE WALL HORIZONTAL SIDE PROFILES

Stock Code	1.117.267.030
Model	FWW
Product Description	Side Wall Horizontal Side Profiles-1
Material	Aluminum
Dimensions (HxWxL) (mm)	36,00 x 60,00 x 360,00
Thickness (mm)	1,20
Weight (kg)	0,30

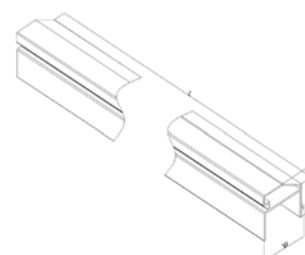


Stock Code		
Model	C	C
Product Description	C Profil - 1	C Profil - 2
Material	ST37- DX51D+Z Galvanize Sheet	ST-37 - DX51D+Z Galvanize Sheet
Dimensions (HxWxL) (mm)	40,00 x 80,00 x 4.000,00	40,00 x 80,00 x 5.000,00
Thickness (mm)	2,50	2,50
Weight (kg)	14,04	17,55



SIDE WALL UPPER HORIZONTAL GLASS PROFILES

Stock Code	1.117.267.070	1.117.267.071	1.117.267.702
Model	USP	USP	USP
Product Description	Top Cover Profile - 1	Top Cover Profile - 2	Top Cover Profile - 3
Material	Aluminum	Aluminum	Aluminum
Dimensions (HxWxL) (mm)	43,00 x 46,93 X 10.000,00	43,00 x 52,93 x 10.000,00	43,00 x 58,93 X 10.000,00
Thickness (mm)	1,70	1,70	1,70
Weight (kg)	6,53	6,80	7,70



*Sold as System.

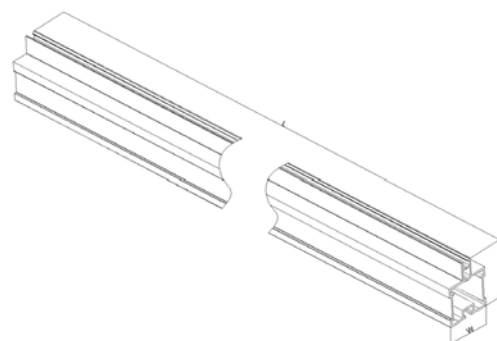


OUTER SIDE WALLS

- SWG**
SIDE WALL VERTICAL PROFILES
- SWP**
SIDE WALL COLUMN SETS
- WBP**
GUTTER SIDE INNER WALL COVER
PROFILES

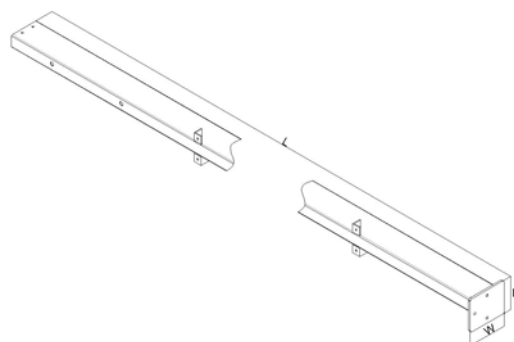
SIDE WALL VERTICAL PROFILES

Stock Code	1.117.267.050	1.117.267.051
Model	SWG	SWG
Product Description	Side Wall Vertical Profiles - 1	Side Wall Vertical Profiles - 2
Material	Aluminum	Aluminum
Dimensions (HxWxL) (mm)	53,40 x 40,00 x 6.185,00	47,40 x 40,00 x 6.185,00
Thickness (mm)	1,20	1,20
Weight (kg)	5,00	4,66



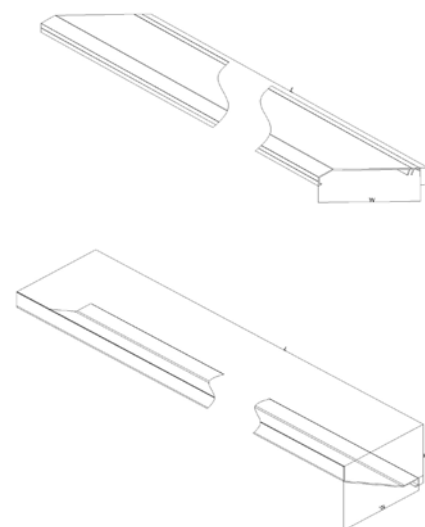
SIDE WALL COLUMN SETS

Stock Code	1.117.266.004	1.117.266.005
Model	SWP	SWP
Product Description	Side Facade Column Set- 1	Side Facade Column Set -2
Material	S235 Steel	S235 Steel
Dimensions (HxWxL) (mm)	60,00 x 140,00 x 5.990,00	60,00 x 140,00 x 5.990,00
Thickness (mm)	4,00	4,00
Weight (kg)	73,65	73,65



GUTTER SIDE INNER WALL COVER PROFILES

Stock Code	1.117.267.073	1.117.267.074
Model	WBP	WBP
Product Description	Gutter Side Interior Cladding Profile -1	Gutter Side Interior Cladding Profile -2
Material	Aluminum	Aluminum
Dimensions (HxWxL) (mm)	15,00x 186,14 x 10.000,00	103,18 x 141,20 x 10.000,00
Thickness (mm)	2,00	1,50
Weight (kg)	12,63	8,10



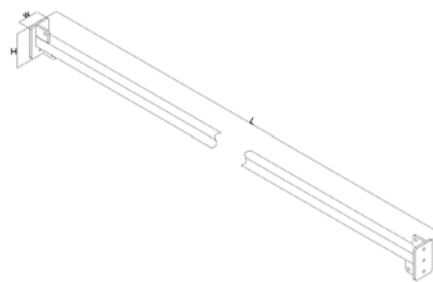
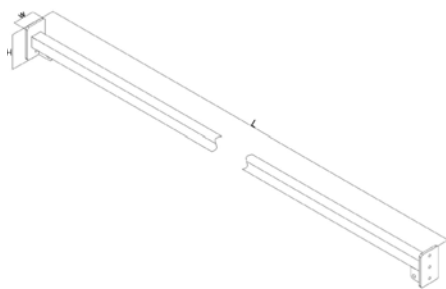
*Sold as System.



INNER SIDE WALLS

- SWB**
SIDE WALL TENSION PROFILES
- SWC**
SIDE WALL TENSION KITS
- TNA**
COLUMN MOUNTING ANGLES

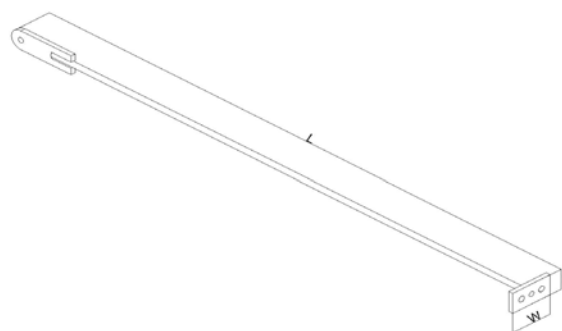
SIDE WALL TENSION PROFILES



Stock Code	1.117.266.008	1.117.266.009	1.117.266.059
Model	SWB	SWB	SWB
Product Description	Side Wall Tension Profiles -1	Side Wall Tension Profiles -2	Side Wall Tension Profiles -3
Material	S235 Steel	S235 Steel	S235 Steel
Dimensions (HxWxL) (mm)	50,00 x 100,00 x 2.440,00	50,00 x 50,00 x 2.440,00	50,00 x 50,00 x 2.440,00
Thickness (mm)	2,50	2,50	2,50
Weight (kg)	17,57	12,47	11,91

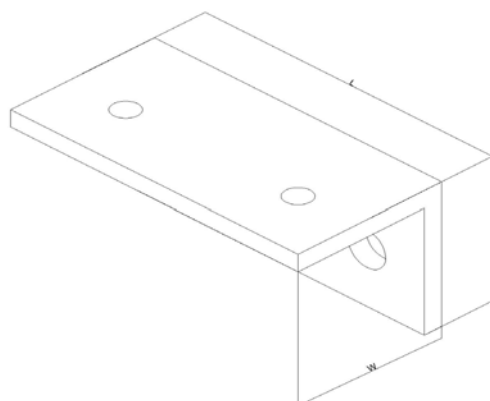
SIDE WALL TENSION KITS

Stock Code	1.117.266.006
Model	SWC
Product Description	Side Wall Tension Rod Set
Material	S235 Steel
Dimensions (HxWxL) (mm)	Ø11,00 x 3.209,50
Thickness (mm)	Ø11,00
Weight (kg)	3,54

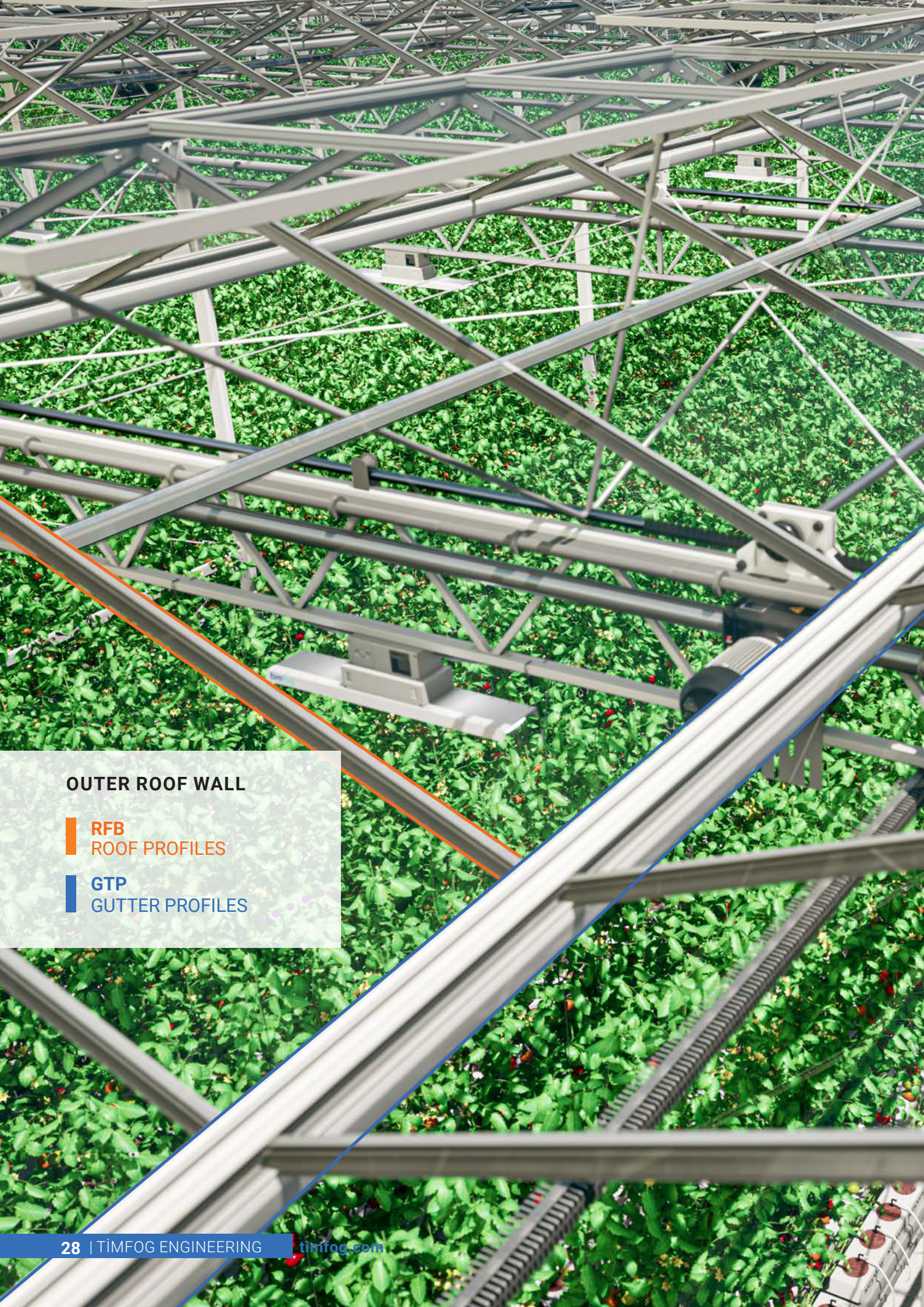


COLUMN MOUNTING ANGLES

Stock Code	1.117.266.002
Model	TNA
Product Description	Column Mounting Angles
Material	S235 Steel
Dimensions (HxWxL) (mm)	50,00 x 50,00 x 100,00
Thickness (mm)	6,00
Weight (kg)	0,50



* Sold as System.

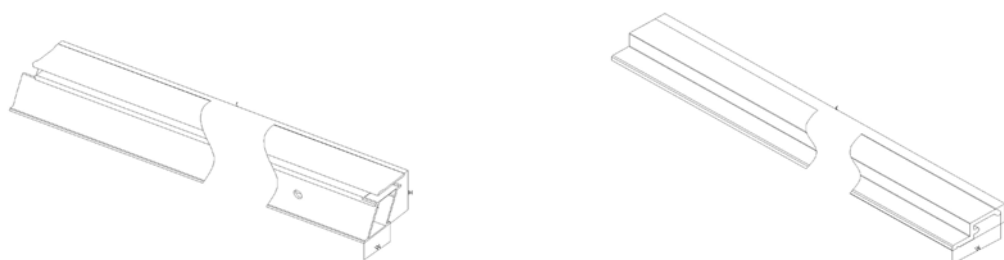


OUTER ROOF WALL

RFB
ROOF PROFILES

GTP
GUTTER PROFILES

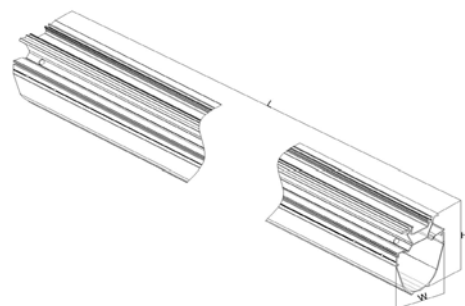
ROOF PROFILES



Stock Code	1.117.267.079	1.117.267.080	1.117.267.081	1.117.267.082
Model	RFB	RFB	RFB	RFB
Product Description	Roof Profile - 1	Roof Profile - 2	Roof Profile - 3	Roof Profile - 4
Material	Aluminum	Aluminum	Aluminum	Aluminum
Dimensions (HxWxL) (mm)	48,02 x 25,00 x 2.146,50	48,02 x 25,00 x 2.146,50	51,22 x 25,00 x 2.146,50	8,11 x 24,98 x 2.146,00
Thickness (mm)	1,30	1,30	1,30	2,25
Weight (kg)	1,42	1,56	1,52	0,40

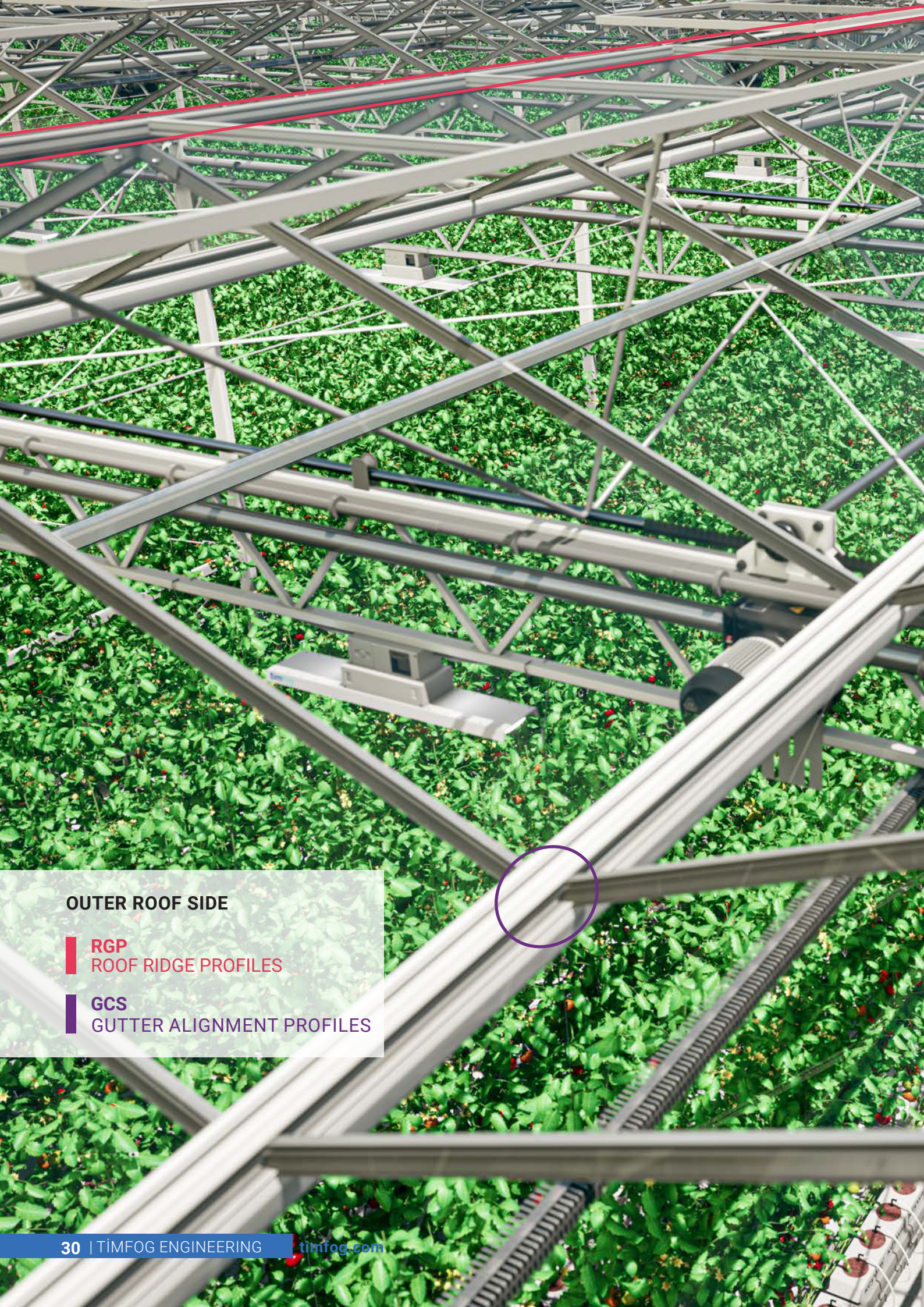
GUTTER PROFILES

Stock Code	1.117.267.035	1.117.267.036	1.117.267.037
Model	GTP	GTP	GTP
Product Description	Gutter Profile - 1	Gutter Profile - 2	Gutter Profile - 3
Material	Aluminum	Aluminum	Aluminum
Dimensions (HxWxL) (mm)	145,73 x 105,00 X 6.250,00	145,73 x 105,00 X 6.250,00	145,73 x 105,00 X 10.000,00
Thickness (mm)	3,50	3,50	3,50
Weight (kg)	22,34	22,34	35,74



Stock Code	1.117.267.038	1.117.267.039	1.117.267.040	1.117.267.041
Model	GTP	GTP	GTP	GTP
Product Description	Gutter Profile - 1	Gutter Profile - 2	Gutter Profile - 3	Gutter Profile - 3
Material	Aluminum	Aluminum	Aluminum	Aluminum
Dimensions (HxWxL) (mm)	145,73 x 105,00 x 9.875,00	145,73 x 105,00 x 5.000,00	145,73 x 105,00 X 10.000,00	145,73 x 105,00 x 5.000,00
Thickness (mm)	3,50	3,50	3,50	3,50
Weight (kg)	35,30	17,87	35,74	17,87

*Sold as System.

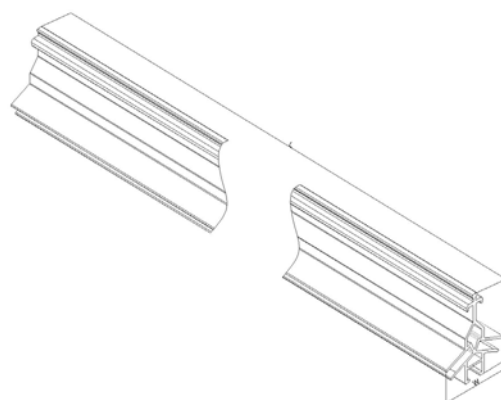


OUTER ROOF SIDE

RGP
ROOF RIDGE PROFILES

GCS
GUTTER ALIGNMENT PROFILES

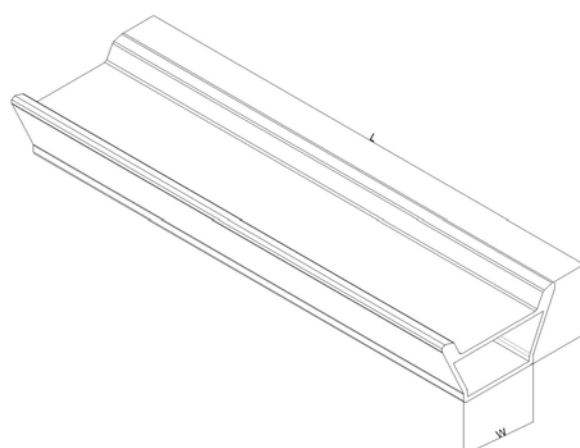
RIDGE PROFILES



Stock Code	1.117.267.083	1.117.267.084	1.117.267.085	1.117.267.086
Model	RGP	RGP	RGP	RGP
Product Description	Roof Ridge Profiles - 1	Roof Ridge Profiles - 2	Roof Ridge Profiles - 3	Roof Ridge Profiles - 4
Material	Aluminum	Aluminum	Aluminum	Aluminum
Dimensions (HxWxL) (mm)	47,02 x 38,55 X 8.385,00	47,02 x 38,55 X 10.000,00	47,02 x 38,55 x 4.375,00	47,02 x 38,55 x 9.377,00
Thickness (mm)	1,40	1,40	1,40	1,40
Weight (kg)	5,41	6,45	2,83	6,00

GUTTER ALIGNMENT PROFILES

Stock Code	1.117.267.046
Model	GCS
Product Description	Gutter Alignment Profiles
Material	Aluminum
Dimensions (HxWxL) (mm)	28,03 x 32,23 x 240,00
Thickness (mm)	1,80
Weight (kg)	0,16



*Sold as System



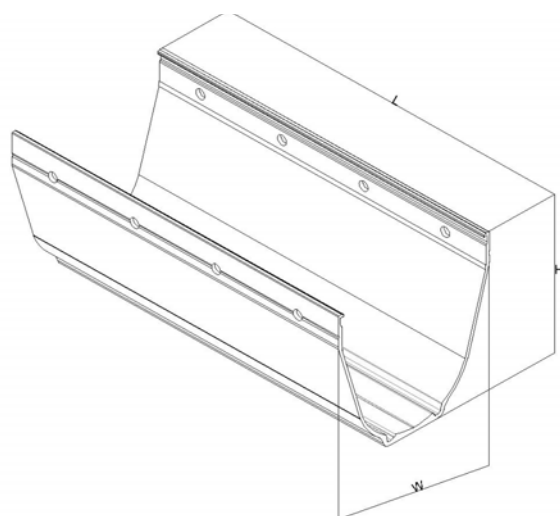
INNER ROOF SIDE

GCC
GUTTER EXTENSION PROFILES

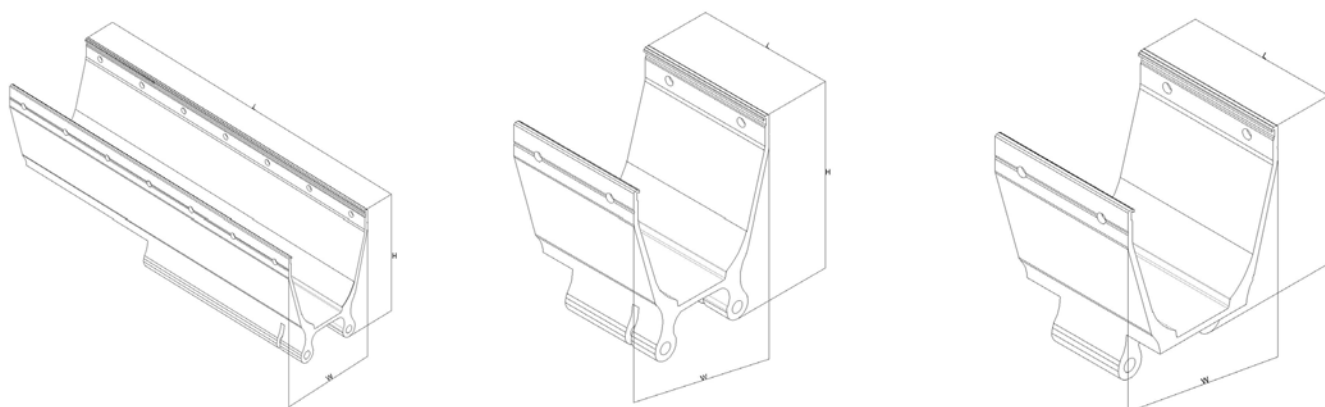
GTA
COLUMN & GUTTER CONNECTION ADAPTERS

GUTTER EXTENSION PROFILES

Stock Code	1.117.267.045	1.117.267.108
Model	GCC	GCC
Product Description	Gutter Extension Profile	End Cap Adapter with Reservoir
Material	Aluminum	Aluminum
Dimensions (HxWxL) (mm)	103,29 x 111,00 x 240,00	103,29 x 111,00 x 110,00
Thickness (mm)	2,50	2,50
Weight (kg)	0,40	1,19



GUTTER STEEL JOINT ADAPTERS



Stock Code	1.117.267.042	1.117.267.016	1.117.267.017
Model	GTA	GTA	GTA
Product Description	Column to Gutter Adapter -1	Column to Gutter Adapter -2	Column to Gutter Adapter -3
Material	Aluminum	Aluminum	Aluminum
Dimensions (HxWxL) (mm)	134,35 x 113,00 x 400,00	134,35 x 113,00 x 100,00	134,35 x 113,00 x 100,00
Thickness (mm)	3,50	3,50	3,50
Weight (kg)	1,92	0,54	0,55

*Sold as System

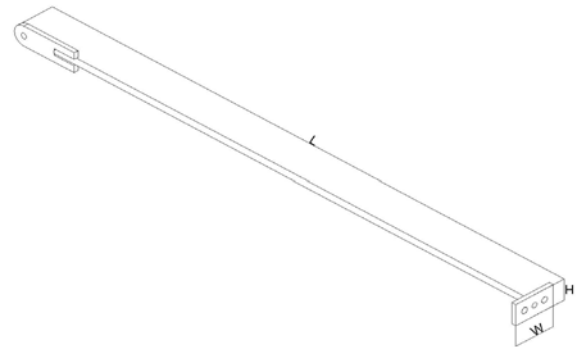


INNER ROOF SIDE

- RCB**
ROOF TENSIONING KITS
- TGA**
TRUSS TO GUTTER ADAPTERS
- TNA**
TENSIONING CONNECTION BRACKETS

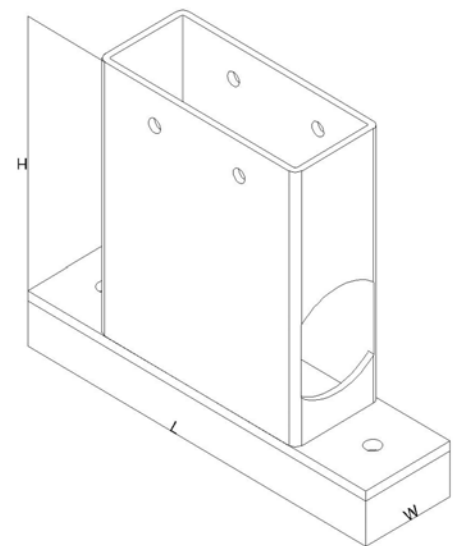
ROOF TENSIONING KITS

Stock Code	1.117.266.060
Model	RCB
Product Description	Roof Tensioning Kits - 1
Material	S235 Steel
Dimensions (HxWxL) (mm)	Ø11,00 x 6.2215,00
Thickness (mm)	Ø11,00
Weight (kg)	6,01



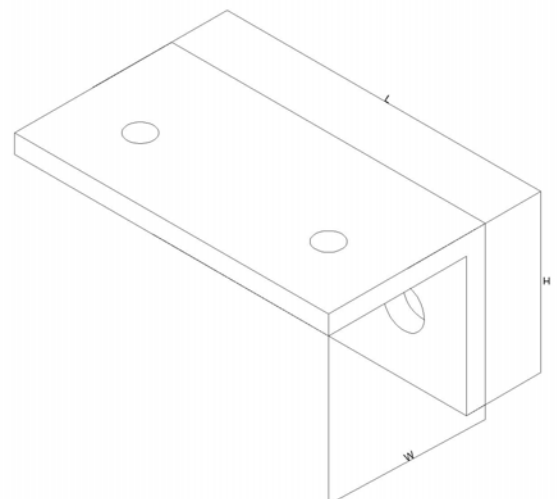
TRUSS TO GUTTER ADAPTERS

Stock Code	1.117.266.003
Model	TGA
Product Description	Truss to Gutter Adapters
Material	S235 Steel
Dimensions (HxWxL) (mm)	240,00 x 170,00 x 60,00
Thickness (mm)	4,00
Weight (kg)	2,40



TENSIONING CONNECTION BRACKETS

Stock Code	1.117.266.002
Model	TNA
Product Description	Tensioning Connection Brackets
Material	S235 Steel
Dimensions (HxWxL) (mm)	50,00 x 50,00 x 100,00
Thickness (mm)	6,00
Weight (kg)	0,50



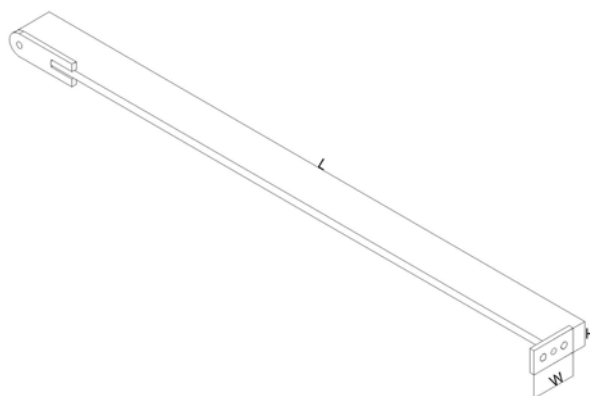
*Sold as System

INNER SIDE

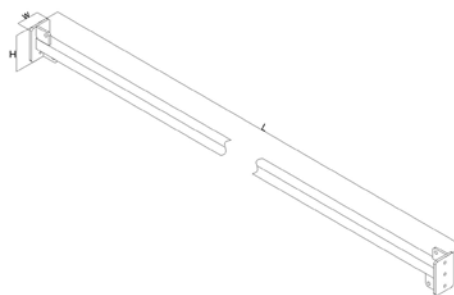
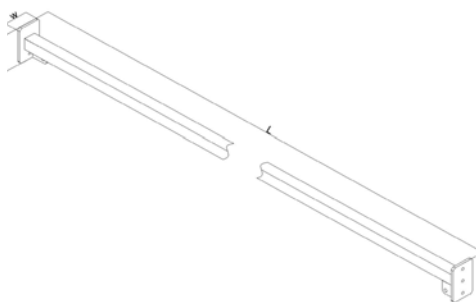
- FCB**
INTERIOR FACADE TENSIONING KITS
- ITB**
INTERIOR FACADE TENSIONING PROFILES
- IWP**
INTERIOR FACADE COLUMN PROFILES

INTERIOR FACADE TENSIONING KITS

Stock Code	1.117.266.022
Model	FCB
Product Description	Interior Facade Tensioning Kits
Material	S235 Steel
Dimensions (HxWxL) (mm)	Ø11,00 x 4.360,00
Thickness (mm)	Ø11,00
Weight (kg)	3,77



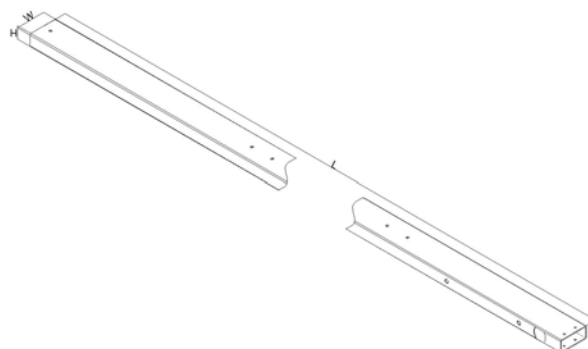
INTERIOR FACADE TENSIONING PROFILES



Stock Code	1.117.266.017	1.117.266.040	1.117.266.041
Model	ITB	ITB	ITB
Product Description	Interior Facade Tensioning Profiles-1	Interior Facade Tensioning Profiles-2	Interior Facade Tensioning Profiles-3
Material	S235 Steel	S235 Steel	S235 Steel
Dimensions (HxWxL) (mm)	50,00 x 100,00 x 4.940,00	50,00 x 50,00 x 4.940,00	50,00 x 50,00 x 4.940,00
Thickness (mm)	2,50	2,50	2,50
Weight (kg)	31,61	21,74	21,18

INTERIOR FACADE COLUMN PROFILES

Stock Code	1.117.266.015	1.117.266.016
Model	IWP	IWP
Product Description	Interior Facade Column Profiles-1	Interior Facade Column Profiles-2
Material	S235 Steel	S235 Steel
Dimensions (HxWxL) (mm)	60,00 x 140,00 x 5.990,00	60,00 x 140,00 x 5.990,00
Thickness (mm)	4,00	4,00
Weight (kg)	70,70	70,70



*Sold as System

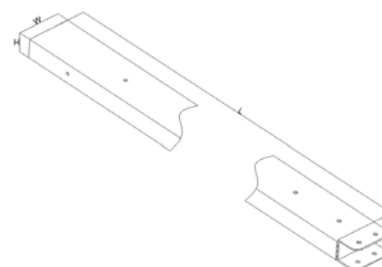
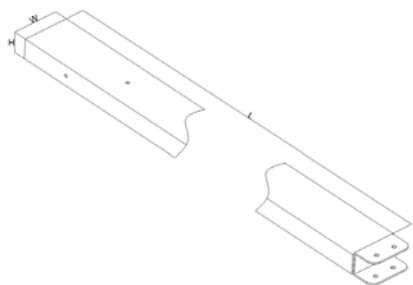


INNER ROOF SIDE

SFP
STEEL ANCHOR PROFILES

TRG
GREENHOUSE TUNNEL TRUSSES

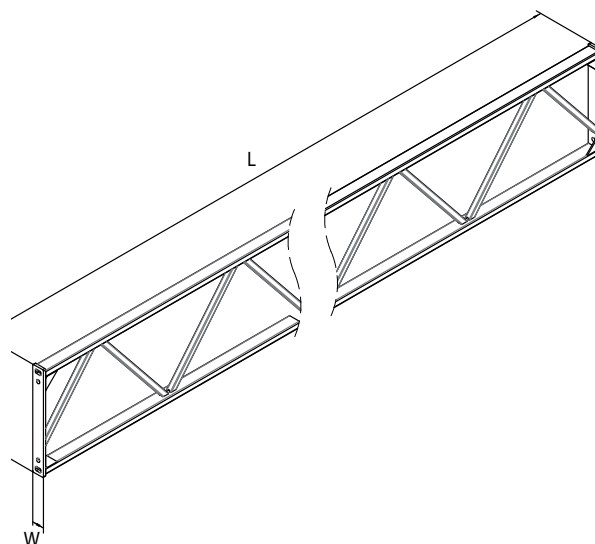
STEEL ANCHOR PROFILES



Stock Code	1.117.266.024	1.117.266.057	1.117.266.057
Model	SFP	SFP	SFP
Product Description	Steel Anchor Profiles -1	Steel Anchor Profiles -2	Steel Anchor Profiles-2
Material	S235 Steel	S235 Steel	S235 Steel
Dimensions (HxWxL) (mm)	60,00 x 140,00 x 1.270,00	60,00 x 140,00 x 1.270,00	60,00 x 140,00 x 1.270,00
Thickness (mm)	4,00	4,00	4,00
Weight (kg)	15,14	15,14	15,14

GREENHOUSE TUNNEL TRUSSES

Stock Code	1.117.266.001
Model	TRG
Product Description	Tunnel Trusses
Material	S235 Steel
Dimensions (HxWxL) (mm)	60.250,00 x 7.860,00
Thickness (mm)	2,00
Weight (kg)	65,00



*Sold as System

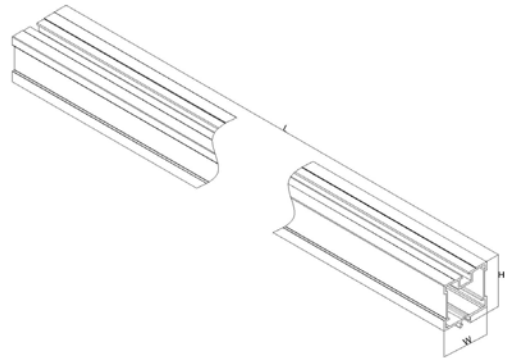
INTERIOR PARTITION WALL

IWG
INTERIOR PARTITION STUD PROFILES

STUD PROFILE FASTENER



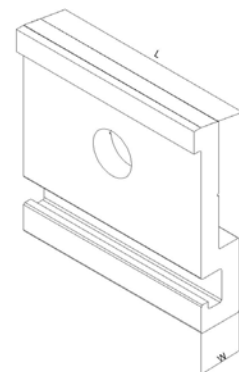
INTERIOR PARTITION STUD PROFILES



Stock Code	1.117.267.062	1.117.267.063	1.117.267.064	1.117.267.065
Model	IWG	IWG	IWG	IWG
Product Description	Interior Partition Stud Profiles - 1	Interior Partition Stud Profiles- 2	Interior Partition Stud Profiles- 3	Interior Partition Stud Profiles- 4
Material	Aluminum	Aluminum	Aluminum	Aluminum
Dimensions (HxWxL) (mm)	41,90 x 40,00 x 5.970,00	41,90 x 40,00 x 5.950,00	41,90 x 40,00 x 6.425,00	41,90 x 40,00 x 6.760,00
Thickness (mm)	1,20	1,20	1,20	1,20
Weight (kg)	4,40	4,31	4,65	4,90

STUD PROFILE FASTENER

Stock Code	1.117.267.066
Model	-
Product Description	Stud Profile Fasteners
Material	S235 Steel
Dimensions (HxWxL) (mm)	30,18 x 6,49 x 30,00
Thickness (mm)	3,00
Weight (kg)	0,001



*Sold as System

ROOF WINDOWS

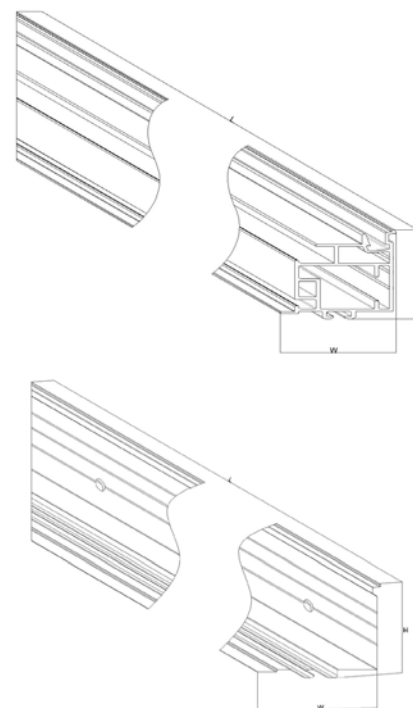
VDP
OPENING WINDOW BOTTOM PROFILES

VUP
OPENING WINDOW TOP PROFILES

VSP
OPENING WINDOW SIDE PROFILES

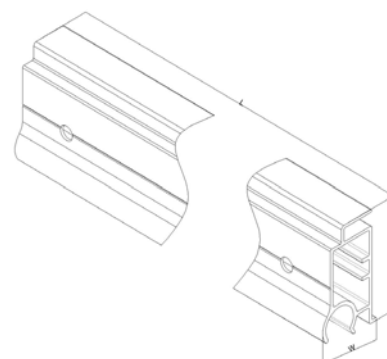
OPENING WINDOW BOTTOM PROFILES

Stock Code	1.117.267.093	1.117.267.094
Model	VDP	VDP
Product Description	Opening Window Bottom Profile-1	Opening Window Bottom Profile-2
Material	Aluminum	Aluminum
Dimensions (HxWxL) (mm)	43,43 x 31,70 x 3.776,00	43,43 x 31,70 x 3.776,00
Thickness (mm)	1,10	1,10
Weight (kg)	2,28	2,28



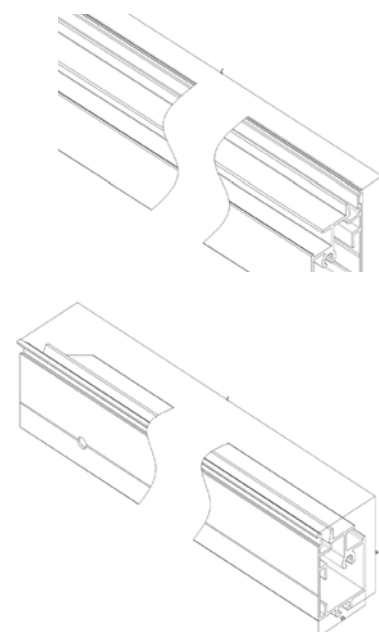
OPENING WINDOW TOP PROFILES

Stock Code	1.117.267.095	1.117.267.096
Model	VUP	VUP
Product Description	Opening Window Top Profile-1	Opening Window Top Profile-2
Material	Aluminum	Aluminum
Dimensions (HxWxL) (mm)	39,49 x 17,10 x 3.775,00	39,49 x 17,10 x 3.775,00
Thickness (mm)	1,00	1,00
Weight (kg)	1,46	1,46



OPENING WINDOW SIDE PROFILES

Stock Code	1.117.267.097	1.117.267.098
Model	VSP	VSP
Product Description	Opening Window Side Profile-1	Opening Window Side Profile-2
Material	Aluminum	Aluminum
Dimensions (HxWxL) (mm)	43,43 x 27,70 x 1.203,00	43,43 x 27,70 x 1.203,00
Thickness (mm)	1,10	1,10
Weight (kg)	0,67	0,67



*Sold as System

ROOF WINDOW

VMP
OPENING WINDOW INTERMEDIATE GLASS PROFILES

VHP
OPENING WINDOW HINGE PROFILES

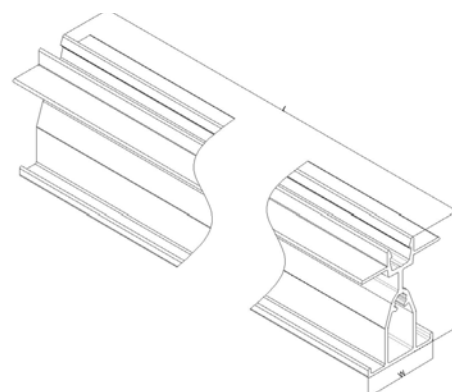
VIP
HINGED WINDOW PROFILES

RVP
OPENING WINDOW HINGE PROFILES FOR SMALL WINDOWS



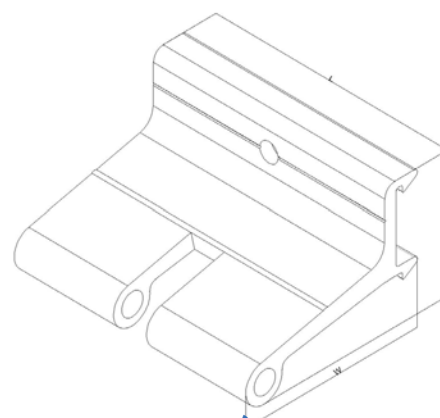
OPENING WINDOW INTERMEDIATE GLASS PROFILES

Stock Code	1.117.267.099
Model	VMP
Product Description	Opening Window Intermediate Glass Profiles-1
Material	Aluminum
Dimensions (HxWxL) (mm)	37,74 x 29,50 x 1.174,50
Thickness (mm)	1,10
Weight (kg)	0,48



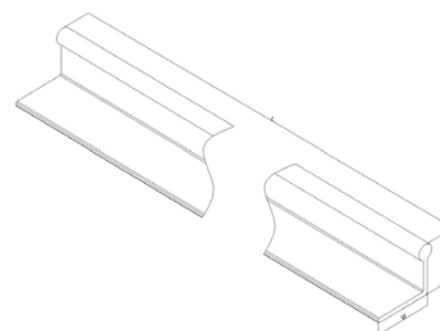
OPENING WINDOW HINGE PROFILES

Stock Code	1.117.267.100
Model	VHP
Product Description	Opening Window Hinge Profiles-1
Material	Aluminum
Dimensions (HxWxL) (mm)	26,20 x 51,90 x 70,00
Thickness (mm)	0,06
Weight (kg)	0,07



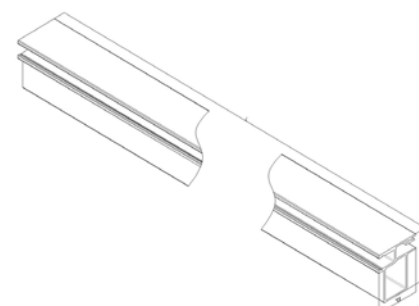
HINGED WINDOW PROFILES (INSECT NET PROFILES)

Stock Code	1.117.267.101
Model	VIP
Product Description	Hinged Window Profiles (Insect Net Profiles)
Material	Aluminum
Dimensions (HxWxL) (mm)	13,10 x 15,10 x 6.200,00
Thickness (mm)	1,20
Weight (kg)	0,67



OPENING WINDOW HINGE PROFILES FOR SMALL WINDOWS

Stock Code	1.117.267.091	1.117.267.092
Model	RVP	RVP
Product Description	Opening Window Hinge Profiles for Small Windows-1	Opening Window Hinge Profiles for Small Windows-2
Material	Aluminum	Aluminum
Dimensions (HxWxL) (mm)	31.7 x 27,75 x 598,00	31.7 x 27,75 x 1.123,00
Thickness (mm)	1,00	1,00
Weight (kg)	0,24	0,48



*Sold as Profile

ROOF PROFILES

RSP
ROOF START PROFILE

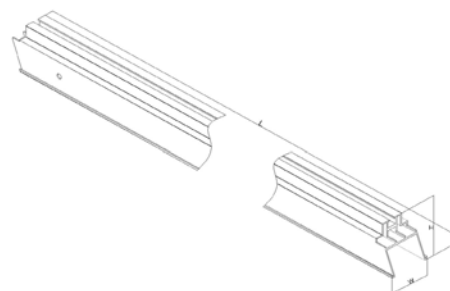
RTP
ROOF EXTENSION PARTS

-
ROOF CONNECTION PARTS

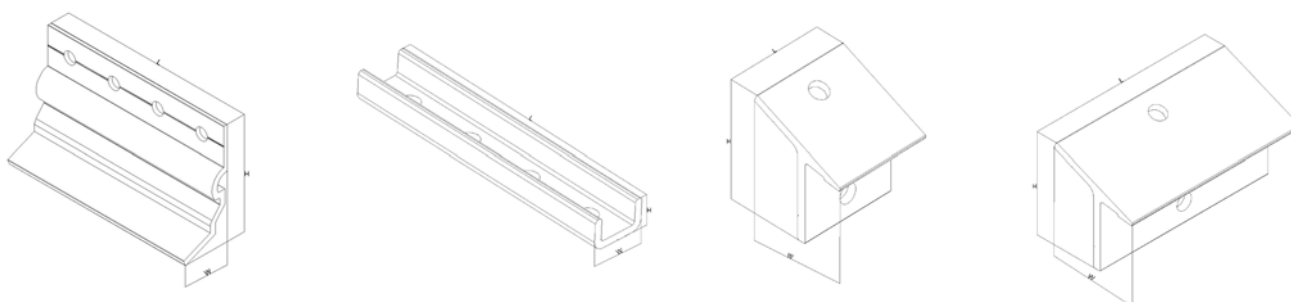
GREENHOUSE STRUCTURE PROFILES

ROOF START PROFILE

Stock Code	1.117.267.075	1.117.267.076	1.117.267.077
Model	RSP	RSP	RSP
Product Description	Roof Start Profile-1	Roof Start Profile-2	Roof Start Profile-3
Material	Aluminum	Aluminum	Aluminum
Dimensions (HxWxL) (mm)	53,65 x 52,82 x 2.142,00	53,65 x 58,82 x 2.142,00	53,65 x 64,82 x 2.142,00
Thickness (mm)	1,30	1,30	1,30
Weight (kg)	2,24	2,45	2,35



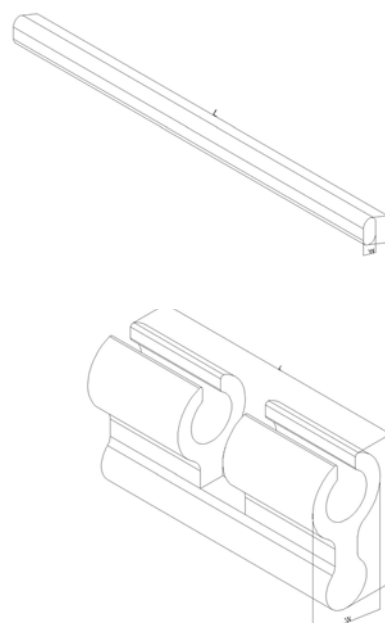
ROOF CONNECTION PARTS



Stock Code	1.117.267.087	1.117.267.088	1.117.267.089	1.117.267.090
Model				
Product Description	External Ridge Joint Connector-1	Internal Ridge Joint Connector-1	Roof Profile Gutter Mounting Bracket-1	Roof Profile Gutter Mounting Bracket-2
Material	Aluminum	Aluminum	Aluminum	Aluminum
Dimensions (HxWxL) (mm)	57,66 x 23,63 x 100,00	11,08 x 18,79 x 100,00	39,66 x 34,98 x 35,00	39,66 x 34,98 x 75,00
Thickness (mm)	2,00	2,64	3,00	3,00
Weight (kg)	0,06	0,03	0,02	0,04

ROOF EXTENSION PARTS

Stock Code	1.117.267.105	1.117.267.069
Model	RTP	RTP
Product Description	Ridge Tensioner	Horizontal Glass Profile Fixing Wedge
Material	Aluminum	Aluminum
Dimensions (HxWxL) (mm)	28,54 x Ø9,00 x 50,00	7,70 x 4,20
Thickness (mm)	-	4,20
Weight (kg)	0,03	0,02



*Sold as System

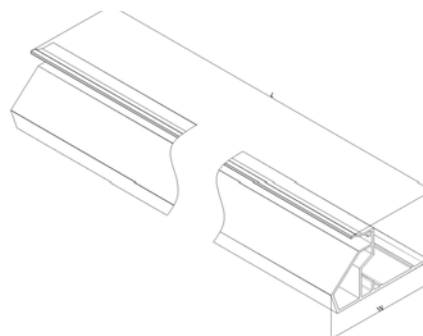
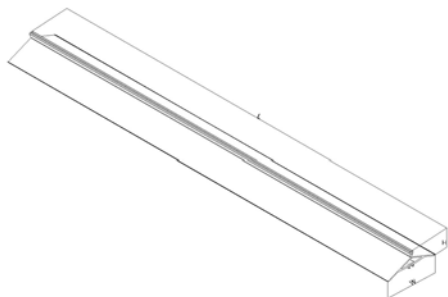
PANEL PROFILES AND TENSION ROD SET

PGP
PANEL RIDGE

PGF
PANEL GUTTER FIXING PROFILES

ITC
GREENHOUSE TENSION ROD SET

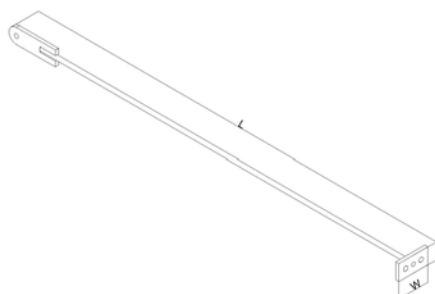
PANEL PROFILES



Stock Code	1.117.267.102	1.117.267.103
Model	PGP	PGF
Product Description	Panel Ridge	Panel Gutter Fixing Profile
Material	Aluminum	Aluminum
Dimensions (HxWxL) (mm)	41,68 x 130,66 x 10.000,00	45,49 x 72,35 x 10.000,00
Thickness (mm)	2,50	1,75
Weight (kg)	18,00	7,78

GREENHOUSE TENSION ROD SET

Stock Code	1.117.266.007
Model	ITC
Product Description	Greenhouse Tension Rod Set
Material	S235 Steel
Dimensions (HxWxL) (mm)	Ø11,00 x 5.340,00
Thickness (mm)	Ø11,00
Weight (kg)	5,24



*Sold as System

STEEL AND ALUMINUM SHEETS

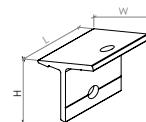
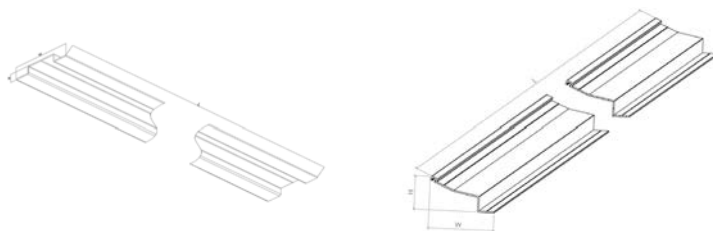
PGC - RTS - RWC - GRS - CGS - CCS
STEEL AND ALUMINUM SHEETS



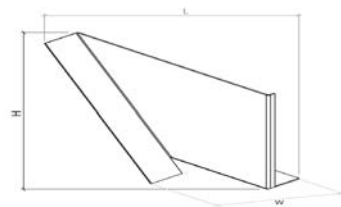
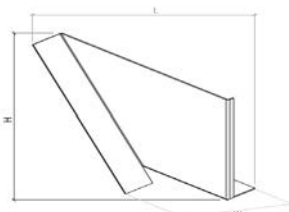
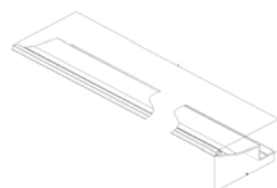
GREENHOUSE STRUCTURE PROFILES

STEEL AND ALUMINUM SHEETS

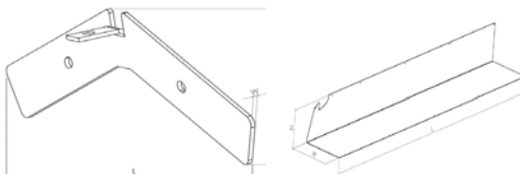
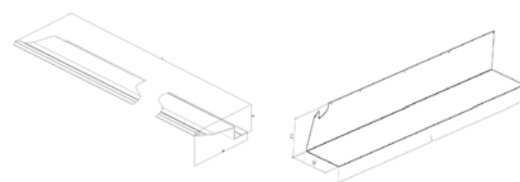
Stock Code	1.117.267.078	1.117.267.104	1.117.267.089
Model		PGC	RTS
Product Description	Roof Starter Profile Closing Sheet	Panel Gutter Closing Sheet	Ridge Tensioning Sheet
Material	Aluminum	Aluminum	Aluminum
Dimensions (HxWxL) (mm)	10,40 x 32,50 x 2.102,00	42,93 x 87,03 x 10.000,00	38,63 x 109,34 x 30,00
Thickness (mm)	1,30	1,70	3,00
Weight (kg)	0,59	5,42	0,03



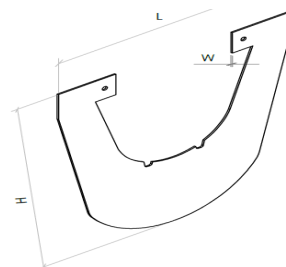
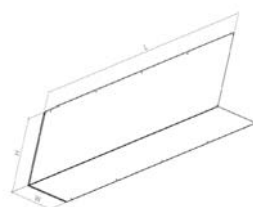
Stock Code	1.017.097.454	1.017.097.462	1.017.097.463
Model	RWC	GRS	GRS
Product Description	Rainwater Collection Tank	Gutter Tank Roof Edge Flashing	Gutter Tank Roof Edge Flashing
Material	1050H14 Unalloyed Aluminum Sheet	1050H14 Unalloyed Aluminum Sheet	1050H14 Unalloyed Aluminum Sheet
Dimensions (HxWxL) (mm)	453,69 x 324,0 x 432,00	264,72 x 339,92	264,72 x 339,92
Thickness (mm)	2,00	2,00	2,00
Weight (kg)	2,65	0,38	0,38



Stock Code	1.017.097.438	1.017.097.439	1.017.097.447	1.017.097.449
Model			CGS	CGS
Product Description	Roof Profile Joining Sheet	Roof Starter Profile Joining Sheet	Glass Greenhouse Corner Gutter End Cap - 1	Glass Greenhouse Corner Gutter End Cap - 2
Material	AISI 304 Stainless Steel Sheet	AISI 304 Stainless Steel Sheet	DX51D+Z Galvanize Sheet	DX51D+Z Galvanize Sheet
Dimensions (HxWxL) (mm)	32,00 x 268,50	33,50 x 266,95	281,50 x 183,20 x 2.083,00	281,50 x 183,20 x 2.083,00
Thickness (mm)	2,50	2,50	1,00	1,00
Weight (kg)	0,17	0,19	7,51	7,51



Stock Code	1.017.097.450	1.017.097.451	1.017.097.452
Model	CCS	CCS	
Product Description	Glass Greenhouse Corner Closing Sheet-1	Glass Greenhouse Corner Closing Sheet-2	Glass - Under-Gutter Closing Sheet
Material	DX51D+Z Galvanize Sheet	DX51D+Z Galvanize Sheet	DX51D+Z Galvanize Sheet
Dimensions (HxWxL) (mm)	281,50 x 183,20 x 2.083,00	281,50 x 183,20 x 2.083,00	158,03 x 156,00
Thickness (mm)	1,00	1,00	1,00
Weight (kg)	7,76	7,76	0,18



*Sold as System.

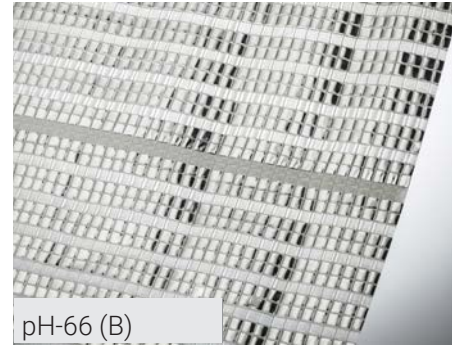
THERMAL SCREENS



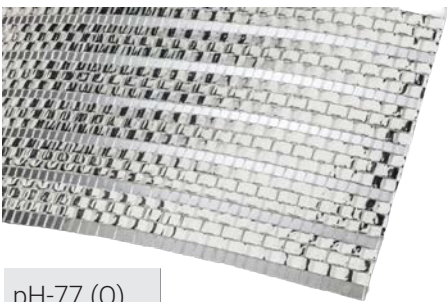
pH-55 (O)



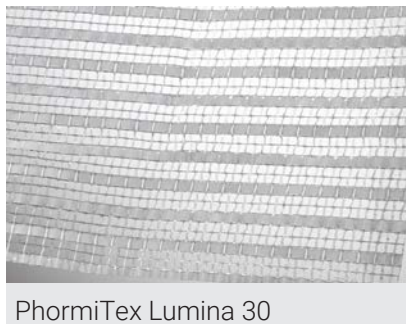
Clima + 55



pH-66 (B)



pH-77 (O)



PhormiTex Lumina 30

Stock Code	Cloth Type	Product Description	Energy Saving	Direct Light Transmission	Shading	Roll Dimensions (mm)
4.025.183.023	Shading	pH-55 (O) Shading Cloth	%20	%45	%55	3.250,00 x 4.300,00 x 4.800,00
4.025.183.024	Shading	pH-77 (O) Shading Cloth	%30	%25	%75	3.250,00 x 4.300,00 x 4.800,00
4.025.183.025	Energy Saving	pH-66 Energy Saving Cloth	%63	%35	%65	3.250,00 x 4.300,00 x 4.800,00
4.025.179.110	Energy Saving	Phormitex Lumina 30 Energy Saving Cloth	%47	%70	%30	3.250,00 x 4.300,00 x 4.800,00
4.025.179.025	Shading	Clima+55 (O) Shading Cloth	%47	%45	%55	3.250,00 x 4.300,00 x 4.800,00

* Project design and different types of climate screens can be offered according to needs.

Our greenhouse climate screens are designed to provide superior energy savings and climate control, and are manufactured from high-quality materials. We offer a wide range of screen options tailored to our customers' specific needs, including energy-saving screens, shading screens, and blackout screens. Our screens have been tested and approved to meet industry standards for durability.



DRIVE MECHANISMS



RW Series Motorized Gearbox



Window Mechanism



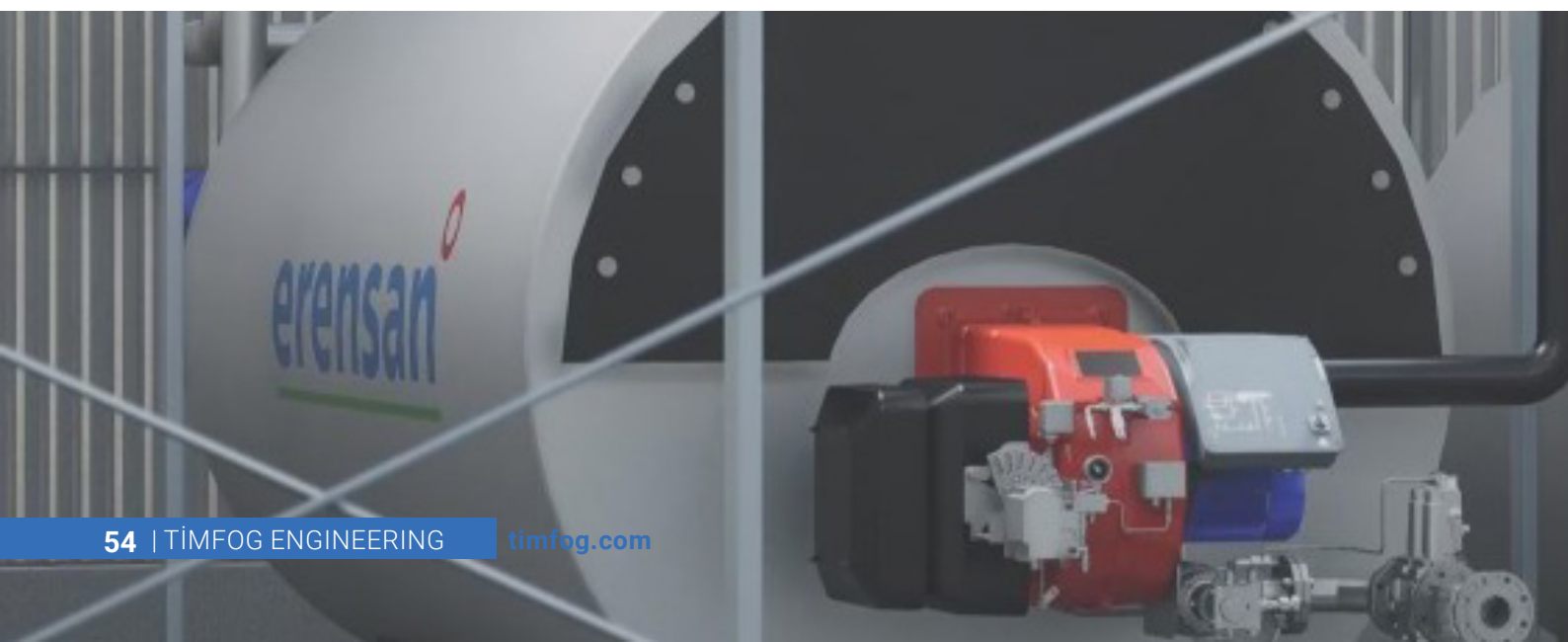
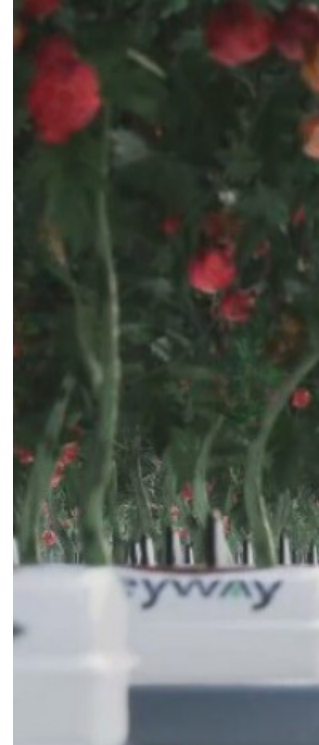
Screen Mechanism

Stock Code	Product Description	Torque (Nm)	Max. RPM	Protection Class	Weight	Dimension (mm)
4.025.183.029	RW 240 Motorized Gearbox	240,00	5,00	IP 55	30,00 kg	441,00 x 235,00 x 325,00
4.025.183.030	RW 400 Motorized Gearbox	400,00	5,00	IP 55	32,00 kg	441,00 x 235,00 x 325,00
4.025.183.031	RW 600 Motorized Gearbox	600,00	5,00	IP 55	37,00 kg	441,00 x 235,00 x 325,00
4.025.183.032	RW 800 Motorized Gearbox	800,00	5,00	IP 55	43,00 kg	750,00 x 260,00 x 340,00
4.025.183.033	Rack and Pinion and Guide Roller	-	-	-	-	3.250,00 x 4.300,00 x 4.800,00
4.025.183.034	Screen Shaft and Accessories	-	-	-	-	3.250,00 x 4.300,00 x 4.800,00

* Project design and different types of drive mechanisms can be offered according to needs.



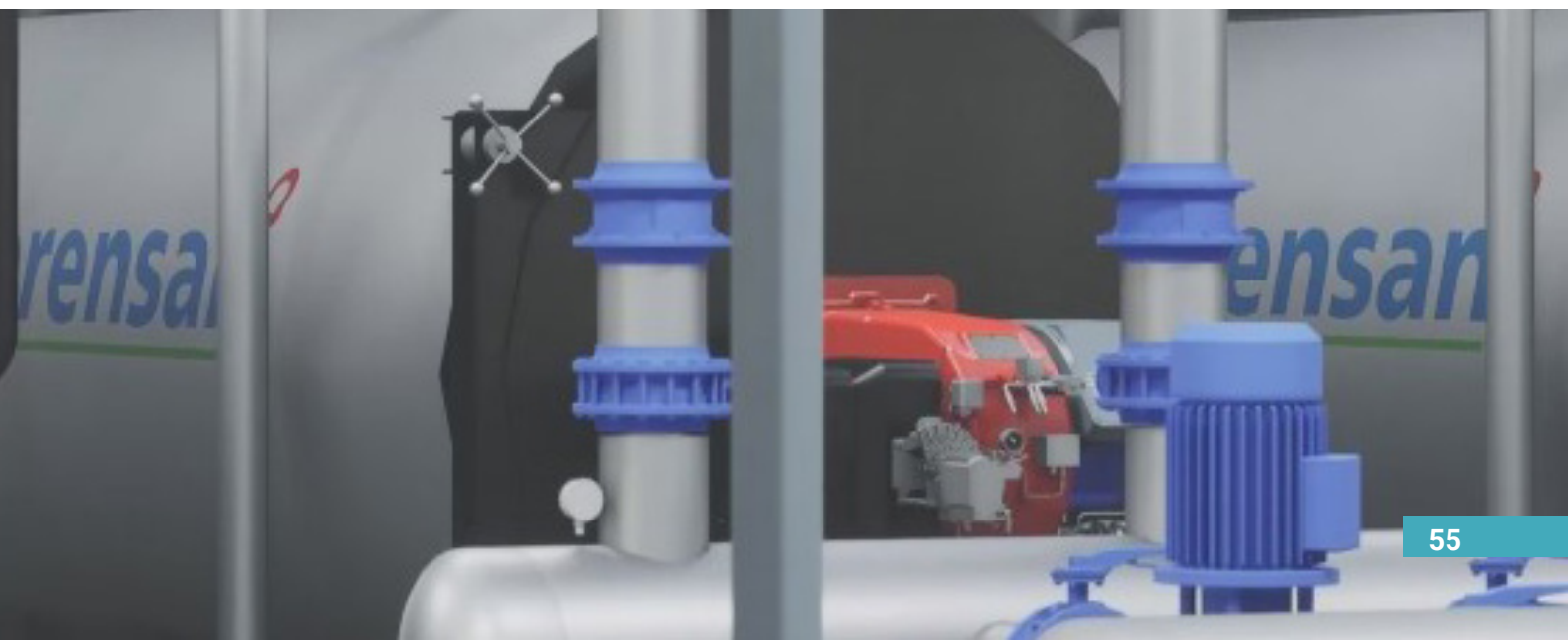
Drive systems are designed to control greenhouse screens and windows. To meet the specific needs of our customers, we offer different drive systems, including manual, electric, and hydraulic systems. Depending on the determined need, linear and rotary drive systems can also be preferred. Our linear drive systems are ideal for controlling roof vents and side vents, while our rotary drive systems are designed for the actuation of thermal screens and other non-linear windows.





HEATING SYSTEMS

Greenhouse Heating Systems are designed to control temperature and humidity conditions within the greenhouse. These systems optimize plant growing conditions inside the greenhouse and typically consist of a combination of essential components such as hot water boilers, burners, economizers, CO2 systems, and buffer tanks.



HEATING SYSTEMS

Greenhouse heating systems are mechanical systems used to provide ideal growing conditions for plants inside the greenhouse. These systems consist of various components, including:



Hot water boilers, are used to increase the ambient temperature inside the greenhouse. In modern greenhouses, boilers operate using various fuel sources such as coal, natural gas, or electricity. Since closed-loop systems are generally used, these boilers are both energy-efficient and a relatively environmentally friendly option.



Burners, are used to ignite the fuel within hot water boilers. These systems typically operate using natural gas or propane fuel. In heating setups with CO₂ systems, special burners that ensure 100% combustion are used.



Economizers, are used as an integrated part of modern heating systems to provide energy savings. These systems recover energy from waste gases, providing additional heat to the water that will be used in the heating system.



CO₂ systems, are used to enhance plant growth in modern greenhouses. These systems deliver carbon dioxide gas into the greenhouse by pressurizing it through a CO₂ fan, enabling plants to photosynthesize more efficiently.



Steel pipes and fittings, are the most common materials used in greenhouse heating systems. Pipes are used to transport hot water from service areas into the greenhouse. Fittings, on the other hand, are used to connect the pipes and complete the system.



Buffer tanks, are used in greenhouse heating systems to temporarily store excess available heat. These tanks maintain the water temperature and increase the efficiency of the system by supplementing thermal energy to the greenhouse when needed.

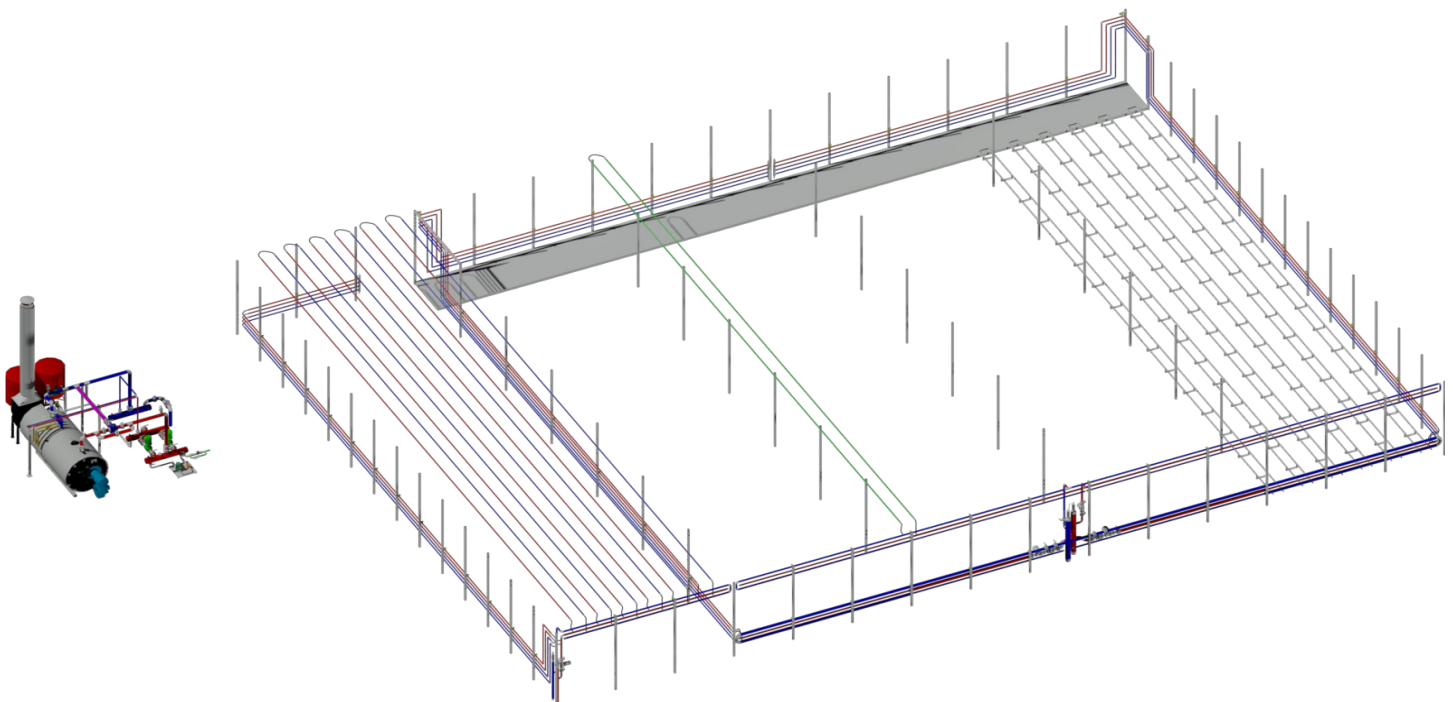


Pumps, are used to ensure the circulation of hot water in the greenhouse heating system; circulation pumps are generally preferred. Valves, on the other hand, are used to control the flow of water in greenhouse heating systems.



Greenhouse Internal Connection Equipment, are auxiliary components used for the transportation and distribution of hot water within the greenhouse.

All of these parts are essential components for greenhouse heating systems and must work together harmoniously. Therefore, accurate product selections and project design are extremely important for the efficiency and longevity of the system.



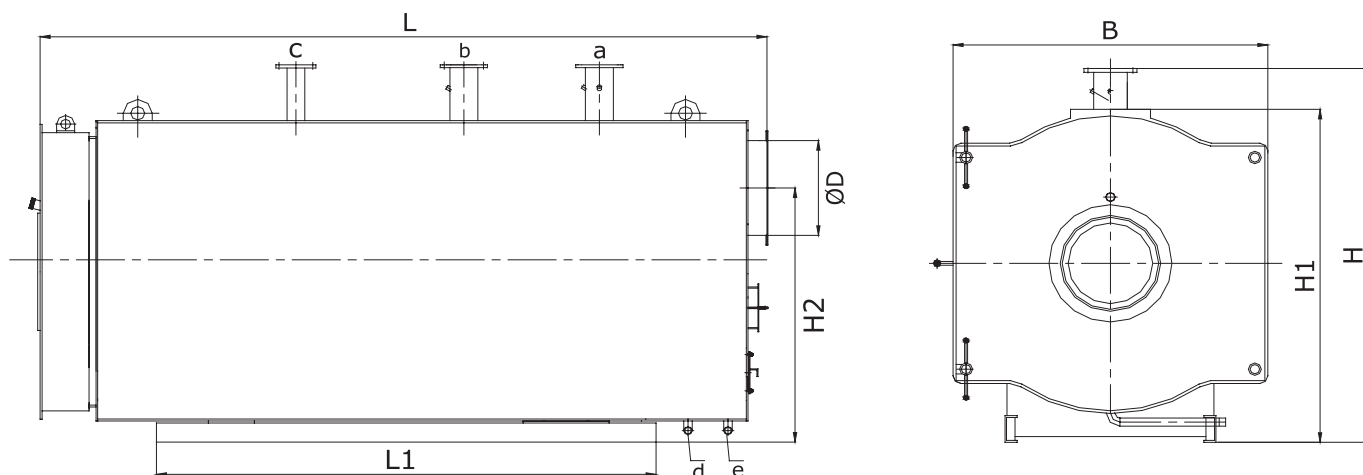
ERENSAN HOT WATER BOILERS

- Efficiency up to 94.4%,
- Optimum thermal balancing and heat energy utilization, effective heat usage, three passes for reduced operating costs.
- Long boiler lifespan thanks to uninterrupted passage in all three passes and balanced cooling of flue gases.
- Durable boiler construction due to symmetrically positioned heat transfer surfaces
- Low flue gas emissions.
- Optimum heat transfer thanks to the three-pass combustion principle and water-cooled combustion chamber.
- 6-8 bar işletme basıncı.



Stock Code	Model No	Boiler Outlet (a)	Boiler Return (b)	Safety Valve Outlet (c) @ 6 bar	Boiler Drain Outlet (d)	Flue Gas Outlet (e)	Water Volume (lt)	Back Pressure (mbar)
4.002.018.022	1170	DN 125	DN 125	DN 40	1 1/2"	1 1/4"	1.791,00	4,00
4.002.018.023	1455	DN 125	DN 125	DN 40	1 1/2"	1 1/4"	2.178,00	4,00
4.002.018.024	1745	DN 150	DN 150	DN 50	1 1/2"	1 1/4"	2.270,00	4,00
4.002.018.025	2000	DN 150	DN 150	DN 50	1 1/2"	1 1/4"	2.422,00	4,00
4.002.018.026	2330	DN 150	DN 150	DN 50	1 1/2"	1 1/4"	2.600,00	4,00
4.002.018.027	2910	DN 200	DN 200	DN 65	1 1/2"	1 1/4"	2.848,00	4,00
4.002.018.028	3500	DN 200	DN 200	DN 65	1 1/2"	1 1/4"	3.998,00	4,00
4.002.018.029	4000	DN 250	DN 250	DN 65	1 1/2"	1 1/4"	4.663,00	4,00
4.002.018.030	5000	DN 250	DN 250	DN 80	1 1/2"	1 1/4"	6.678,00	4,00
4.002.018.031	6000	DN 300	DN 300	DN 80	1 1/2"	1 1/4"	10.237,00	4,00
4.002.018.032	8000	DN 300	DN 300	DN 100	1 1/2"	1 1/4"	15.142,00	4,00
4.002.018.033	10000	DN 300	DN 300	DN 125	1 1/2"	1 1/4"	18.643,00	4,00

HOT WATER BOILERS



Stock Code	L (mm)	L1 (mm)	B (mm)	H (mm)	H1 (mm)	H2 (mm)	ØD (mm)
4.002.018.022	3.200,00	3.200,00	1.400,00	1.750,00	1.570,00	1.220,00	300,00
4.002.018.023	3.572,00	2.570,00	1.460,00	1.815,00	1.630,00	1.240,00	350,00
4.002.018.024	3.730,00	2.700,00	1.490,00	1.845,00	1.660,00	1.270,00	400,00
4.002.018.025	3.900,00	2.915,00	1.517,00	1.870,00	1.690,00	1.316,00	450,00
4.002.018.026	3.900,00	2.915,00	1.550,00	1.885,00	1.700,00	1.350,00	450,00
4.002.018.027	4.200,00	3.210,00	1.700,00	2.055,00	1.870,00	1.472,00	500,00
4.002.018.028	4.557,00	3.500,00	1.790,00	2.145,00	1.960,00	1.560,00	550,00
4.002.018.029	4.810,00	3.736,00	1.855,00	2.210,00	2.025,00	1.590,00	600,00
4.002.018.030	4.960,00	3.880,00	2.030,00	2.385,00	2.200,00	1.715,00	650,00
4.002.018.031	5.430,00	4.370,00	2.404,00	2.762,00	2.577,00	2.025,00	750,00
4.002.018.032	6.252,00	5.260,00	2.715,00	3.120,00	2.934,00	2.317,00	900,00
4.002.018.033	6.756,00	5.760,00	2.905,00	3.328,00	3.143,00	2.476,00	1.000,00

BURNERS



Two-stage, progressive, modulating, electronic cam, inverter-driven, and O2 trim burners are available, ranging from 2300 kW to 70000 kW, for industrial and domestic applications. Cib Unigas Burners, whose sales, after-sales technical service, and spare parts services are carried out by Erensan, which has completed its 40th year in the heating sector, offer rational options that can meet all burner needs with their price and quality advantages, Erensan assurance, different capacity ranges, and technical specifications.



Stock Code	Stock Description(NG BURNER)	Capacity Range(kW)	Capacity Range(Kcal/h)	Fan Motor Power	Dimensions (mm)	Weight (kg)
4.008.058.094	E165A M.MD.SR.TRA.8.40	1170	1.006.200,00	2,20	1.216,00 x 1.050,00 x 575,00	125,00
4.008.058.087	E205A M.MD.SR.TRA.8.40	1455	1.231.300,00	3,00	1.334,00 x 1.050,00 x 575,00	125,00
4.008.058.133	G258A M.MD.SR.TRA.8.50	1745	1.500.700,00	4,00	1.584,00 x 1.116,00 x 708,00	270,00
4.008.058.134	G258A M.MD.SR.TRA.8.50	2000	1.720.000,00	4,00	1.584,00 x 1.116,00 x 708,00	270,00
4.008.058.135	G258A M.MD.SR.TRA.8.50	2330	2.003.800,00	4,00	1.584,00 x 1.116,00 x 708,00	270,00
4.008.058.136	G380A M.MD.SR.TRA.8.50	2910	2.502.000,00	7,50	1.575,00 x 1.139,00 x 708,00	280,00
4.008.058.132	G400A M.MD.SR.TRA.8.65	3500	3.010.000,00	7,50	1.585,00 x 1.385,00 x 708,00	280,00
4.008.058.131	H630A M.MD.SR.TRA.8.65	4000	3.440.000,00	9,20	1.747,00 x 1.582,00 x 856,00	380,00
4.008.058.131	H630A M.MD.SR.TRA.8.65	5000	4.300.000,00	9,20	1.747,00 x 1.582,00 x 856,00	380,00
4.008.058.078	K750A M.MD.SR.TRA.8.80	6000	5.160.000,00	15,00	1.841,00 x 1.728,00 x 960,00	475,00
4.008.058.122	K890A M.MD.SR.TRA.8.80	7000	6.020.000,00	15,00	1.841,00 x 1.728,00 x 960,00	480,00
4.008.058.091	K990A M.MD.SR.TRA.8.100	8000	6.880.000,00	15,00	1.841,00 x 1.728,00 x 960,00	490,00
4.008.058.143	N1300A M.MD.S.TRA.8.100.EA	10.000	8.600.000,00	22,00	1.908,00 x 2.055,00 x 1.161,00	550,00
4.008.058.144	N1300A M.MD.S.TRA.8.100.EA	11.000	10.006.200,00	30,00	1.900,00 x 2.055,00 x 1.161,00	600,00

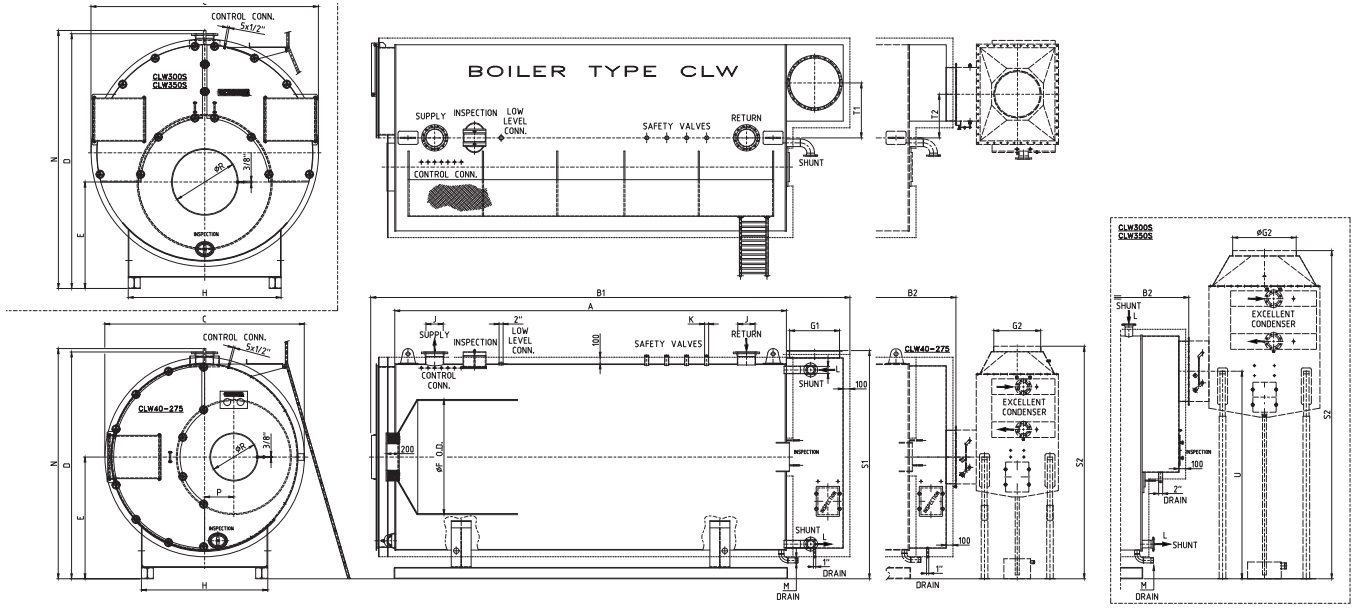
Stock Code	Stock Description(NG-OIL BURNER)	Capacity Range(kW)	Capacity Range(Kcal/h)	Fan Motor Power	Pump Motor Power	Dimensions (mm)	Weight (kg)
4.008.058.087	E205A MG.MD.SR.TRA.8.50	1455	1.231.300,00	3,00	0,60	1.431,00 x 700,00 x 658,00	160,00
4.008.058.137	G258A MG.MD.SR.TRA.8.50	1745	1.500.700,00	4,00	1,10	1.367,00 x 1.116,00 x 708,00	320,00
4.008.058.138	G258A MG.MD.SR.TRA.8.50	2000	1.720.000,00	4,00	1,10	1.367,00 x 1.116,00 x 708,00	320,00
4.008.058.139	G258A MG.MD.SR.TRA.8.50	2330	2.003.800,00	4,00	1,10	1.367,00 x 1.116,00 x 708,00	320,00
4.008.058.140	G380A MG.MD.SR.TRA.8.50	2910	2.502.000,00	7,50	1,10	1.486,00 x 1.139,00 x 708,00	325,00
4.008.058.132	G400A MG.MD.SR.TRA.8.65	3500	3.010.000,00	7,50	1,10	1.496,00 x 1.139,00 x 708,00	330,00
4.008.058.131	H630A MG.MD.SR.TRA.8.65	4000	3.440.000,00	9,20	1,50	1.747,00 x 1.584,00 x 856,00	420,00
4.008.058.141	H630A MG.MD.SR.TRA.8.65	5000	4.300.000,00	9,20	1,50	1.747,00 x 1.584,00 x 856,00	420,00
4.008.058.078	K750A MG.MD.SR.TRA.8.80	6000	5.160.000,00	15,00	2,20	1.841,00 x 1.728,00 x 960,00	420,00
4.008.058.122	K890A MG.MD.SR.TRA.8.80	7000	6.020.000,00	15,00	3,00	1.840,00 x 1.728,00 x 960,00	530,00
4.008.058.091	K990A MG.MD.SR.TRA.8.80	8000	6.880.000,00	15,00	3,00	1.840,00 x 1.728,00 x 960,00	540,00
4.008.058.142	N1300A MG.MD.SR.TRA.8.100	10.000	8.600.000,00	22,00	4,00	1.908,00 x 2.055,00 x 1.161,00	720,00



CRONE BOILER & THERMETA BURNER



CRONE BOILER



Type	Capacity (Mcal)	Capacity (kW)	Water Volume (Liter)	Weight (kg)	Heating Surface (m ²)	Gas Side Volume (m ³)	dp (mmWC)	A	B1	C	D	E	F	G1	H	J	K	L	M	N	P	R	S1	T1	B2	G2	S2	T2	U	Excellent Condensing TYPE
CLW 40	1000	1200	3220	4150	40	2.2	60	3425	4310	1650	2035	1125	800	300	1000	DN125-PNG	2x2"	50	2"	2080	265	2033	510	300	300	2506	369	1125	L12C	
CLW 50	1200	1500	3930	4800	50	2.7	55	3425	4310	1800	2180	1200	880	350	1250	DN150-PNG	2x2"	50	2"	2230	285	2213	570	350	350	2674	505	1200	L18C	
CLW 60	1500	1800	5140	6000	60	3.5	60	4230	5115	1850	2223	1218	900	400	1100	DN150-PNG	2x2"	65	2"	2273	310	2553	595	350	350	2692	505	1218	L18C	
CLW 75	2000	2400	5950	6800	75	4.7	62	4230	5115	2000	2373	1293	1000	450	1100	DN150-PNG	2x2"	65	2"	2423	335	2401	575	450	450	2767	505	1293	L24C	
CLW 95	2500	3000	7050	8250	95	5.65	60	4230	5165	2200	2573	1393	1150	500	1250	DN200-PNG	2x2"	65	2"	2623	360	2620	565	450	450	2919	435	1393	L30C	
CLW 115	3000	3600	7830	9120	115	6.4	60	4230	5215	2316	2689	1451	1200	550	1250	DN200-PNG	3x2"	65	2"	2739	380	2734	580	500	500	3077	405	1451	L36C	
CLW 130	3500	4200	9950	10630	130	8	68	5205	6320	2336	2728	1480	1200	600	1250	DN200-PNG	3x2"	80	2"	2778	380	2763	600	550	550	3161	465	1480	L42C	
CLW 145	4000	4800	11270	11380	145	8.9	68	5205	6370	2456	2848	1540	1250	650	1500	DN200-PNG	3x2"	80	2"	2898	400	2883	623	600	600	3221	473	1540	L48C	
CLW 155	4500	5400	11380	12030	155	9.9	76	5205	6420	2526	2918	1575	1350	700	1500	DN250-PN10	4x2"	80	2"	2968	400	2963	630	650	650	3246	503	1575	L60C	
CLW 170	5000	6000	11910	13500	170	10.75	76	5205	6420	2600	2992	1612	1400	700	1500	DN250-PN10	4x2"	80	2"	3042	400	3025	645	650	650	3283	490	1612	L60C	
CLW 185	5500	6600	12850	14460	185	12.3	80	5480	6745	2660	3052	1642	1450	700	1500	DN250-PN10	4x2"	100	2"	3102	400	3100	668	700	700	3313	550	1642	L72C	
CLW 200	6000	7200	13460	15600	200	13	80	5480	6795	2730	3122	1677	1500	750	1700	DN250-PN10	2x2DN80-16	100	2"	3172	400	3170	705	700	700	3348	545	1677	L72C	
CLW 220	7000	8400	15280	17450	220	15.8	90	5890	7255	2840	3251	1751	1600	800	1700	DN250-PN10	2x2DN100-16	100	2.5"	3301	470	3301	735	700	700	3402	550	1751	L84C	
CLW 250	8000	9600	16750	18650	250	16.6	98	6330	7745	2840	3251	1751	1600	850	1700	DN250-PN10	2x2DN100-16	100	2.5"	3301	470	3285	735	800	800	3572	600	1751	L96C	
CLW 275	9000	10800	18750	20760	275	18.8	98	6330	7795	3000	3411	1831	1650	900	1900	DN300-PN10	2x2DN100-16	125	2.5"	3461	500	3445	745	850	850	3647	600	1831	L108C	
CLW 300S	10000	12000	23700	25300	380	23	120	6900	8465	3190	3601	1426	1700	1000	2100	DN300-PN10	2x2DN100-16	125	2.5"	3651	830	3600	0	950	950	4197	2376	1831	L120C	
CLW 350S	12000	14000	25800	28100	420	25.7	120	6900	8465	3190	3601	1426	1700	1000	2100	DN300-PN10	2x2DN125-16	125	2.5"	3801	830	3801	0	950	950	4371	2500	1831	L140C	

EXCELLENT FLUE GAS CONDENSER SERIES



Technical data	
Boiler capacity	kW
Condenser capacity	kW
VO (heating area)	m ²
Watervolume (content)	ltr
Transportweight	kg
Tranportdimension	L mm
Tranportdimension	W mm
Tranportdimension (with exhaust hood)	H1 mm
Tranportdimension (without exhaust hood)	H2 mm
Watersided connections (PN6)	
Safety valve connection inlet	
Safety valve connection outlet	
Drain connection	
Condensate bin overflow connection	
Chimney connection (Ø)	mm
Fluegas inlet connection (square)	mm
Flue gas flow (volume)	Nm ³ /h
Fluegas inlet temperature	°C
Fluegas outlet temperature (at water inlet 35°)	°C
Fluegas sided resistance	Pa
Fluegas sided resistance	mm wk
Max water temperature	°C
Max water design pressure	bar(g)
Water flow (volume)	m ³ /h
Water inlet temperature	°C
Water outlet temperature	°C
Water sided resistance	kPa



CRONE BOILER

Type Condenser (single waterside circuit)														
L6C	L12C	L18C	L24C	L30C	L36C	L42C	L48C	L60C	L72C	L84C	L96C	L108C	L120C	L140C
600	1200	1800	2400	3000	3600	4200	4800	6000	7200	8400	9600	10800	12000	14000
62	117	241	258	293	361	413	491	585	663	757	843	1033	1076	1162
56	99	141	188	235	283	339	367	452	528	660	707	778	934	1060
45	65	90	105	120	145	160	170	200	225	270	290	310	370	410
544	663	798	909	1056	1180	1351	1416	1634	1805	2117	2264	2434	2780	3184
765	881	881	997	1132	1132	1288	1346	1540	1540	1797	1797	1973	1973	2147
985	1085	1385	1385	1385	1585	1585	1585	1585	1785	1785	1885	1885	2185	2185
2276	2281	2331	2421	2474	2576	2631	2631	2681	2681	2681	2766	2766	2766	2816
1995	1995	2045	2045	2095	2095	2145	2145	2195	2195	2195	2230	2230	2230	2280
DN65	DN65	DN80	DN80	DN100	DN100	DN100	DN100	DN125	DN125	DN150	DN150	DN150	DN150	DN150
3/4"	3/4"	3/4"	1"	1"	1"	2x 1"	2x 1"	2x 1"	2x 1"	2x1.1/4"	2x1.1/4"	2x1.1/4"	2x1.1/4"	4x 1"
3/4"	3/4"	3/4"	1.1/4"	1.1/4"	1.1/4"	2x1.1/4"	2x1.1/4"	2x1.1/4"	2x1.1/4"	2x1.1/2"	2x1.1/2"	2x1.1/2"	2x1.1/2"	4x1.1/4"
1"	1"	1"	1"	1"	1"	1"	1"	1"	1"	1"	1"	1"	1"	1"
1.1/2"	1.1/2"	1.1/2"	1.1/2"	1.1/2"	1.1/2"	1.1/2"	1.1/2"	1.1/2"	1.1/2"	1.1/2"	1.1/2"	3"	3"	3"
200	300	350	450	450	500	550	600	650	700	710	800	850	950	950
400	400	500	500	600	600	700	700	800	800	800	900	900	900	1000
807	1614	2421	3228	4034	48414	5648	6455	8069	9683	11297	12910	14524	16138	18828
180	180	180	180	180	180	180	180	180	180	180	180	180	180	180
46	46	46	46	46	46	46	46	46	46	46	46	46	46	46
250	300	400	400	400	450	450	450	450	500	500	500	500	500	500
25	30	40	40	40	45	45	45	45	50	50	50	50	50	50
95	95	95	95	95	95	95	95	95	95	95	95	95	95	95
3	3	3	3	3	3	3	3	3	3	3	3	3	3	3
12	17	28	30	34	42	48	57	68	77	88	98	120	125	135
35	35	35	35	35	35	35	35	35	35	35	35	35	35	35
41	43	45	45	45	45	45	45	45	45	45	45	45	45	45
3,8	4	4,4	4,7	5,2	5,3	5,4	5,7	6	6	6,7	7	7	8	9

Included in Delivery (per condenser) :

- 1x Pressure switch for flue gas box, including stainless steel 90° elbow.
- 1x Limit switch for flue gas box diverting valve.
- 1x Maximum thermostat for water temperature.
- 2x Thermometer Ø100 mm, 0-200°C (flue gas inlet/outlet).
- 2x Thermometer Ø60 mm, 0-120°C (water inlet/outlet).
- Safety valves, outlet connection BSP female.
- Ball valve (drain), 1" outlet connection BSP female.
- Ø60 pipe for condensate discharge.
- Condenser supports, 100x100 mm.
- Condensate tank, aluminum, overflow connection BSP male.

*Prices and other technical details are on page 67.

THERMETA BURNER

Industrial Combustion

Since its establishment in 1960, Thermeta Service BV has been manufacturing burner systems for greenhouse horticulture, industry, and the service sectors. The LN series (Low NOX) burner forms the basis of this delivery program. The Thermeta LN series burner is extremely flexible when it comes to the separate or simultaneous combustion of various fuels and fuel combinations. This allows us to offer burners for (bio)gas, (bio)oil, heavy oil, or gas + oil combinations. This makes Thermeta burners financially attractive and enables you to directly benefit from developments in the energy market or temporary gas shortages.

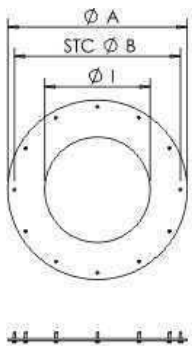
The flexible use of fuels or fuel combinations is possible thanks to the unique design of Thermeta Service BV's burners. This design allows different types to be mounted and delivered on the same housing. The burners are offered in a capacity range from 582 kW to 14,000 kW.

Innovations

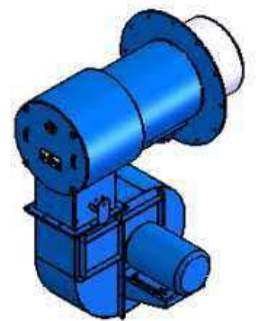
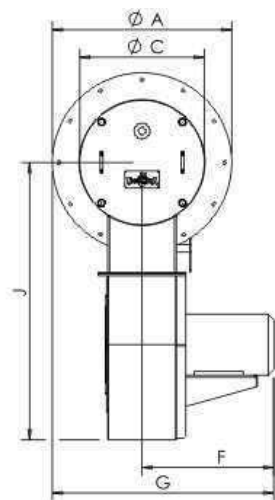
The Thermeta burner is developed and manufactured in our own factory. Thermeta Service BV has been a pioneer in the field of products for industrial combustion plants for many years. This success is due to our continuous willingness to push boundaries and embrace challenges. Where many individuals or organizations stop, Thermeta Service BV continues. Therefore, Thermeta is proud that its burners are considered the "cleanest" burners on the market.

The Green Label

Driven by increasingly stringent standards worldwide, Thermeta has developed a series of burners that significantly reduce atmospheric pollution (such as NOX, CO, and unburned particles). The LN series burner has a very low NOX emission. Thermeta burners comply with the latest BEMS and MIA/VAMIL standards and meet the standards set for the Green Label. This also provides extra points for the Green Label certification for greenhouse horticulture!



KETELFLENS
LN 05 T/M 60 12X M12X45
LN 70 T/M 160 16X M12X45



Scope of Delivery

- Many standard burner options are available.
- The newly developed LN series burner with very low NOX emissions, very stable and low-noise combustion, low back box temperatures, and high heat exchange capacity.
- Operating the burner (pre-ventilation) at low speed (or 30 Hz) saves energy and minimizes noise pollution.
- Very precise adjustment of the gas-air ratio throughout the control range. The control contains no mechanical parts, thus ensuring reliable and 100% repeatable accuracy of the combustion control. The controller measures the air pressure in the burner housing and controls the gas pressure at the gas ports accordingly. Furthermore, the controller is completely insensitive to changes in the air valve position or fouling of the fan. This changes the air pressure in the burner housing, and the gas pressure is corrected accordingly.
- To prevent boiler standstill losses, the air valves are fully closed when the burner system is stopped.
- Standard modulating capacity control (PID) via the burner panel or an external control (e.g., a climate computer or building control system).
- A fan with optimum air production thanks to the ingenious design of the spiral housing and fan blades. The fan can be equipped with a single-speed, two-speed, or frequency-controlled motor.
- İki hızlı fan tipiyle motor, düşük hız aralığına en uygun şekilde ayarlanmıştır. Bu, düşük hızda elektrik enerjisinin çok ekonomik kullanılmasını sağlar.
- The frequency-controlled burner has been specially developed for even more economical use of the electrical energy required for the burner fan (40% more economical compared to a two-speed motor).
- The burner can be equipped with a combustion device for other gas fuel types and oil (HFO). This device consists of an oil transport pump/motor combination, oil solenoid valves, filters, and nozzles.
- The burner control is secured with a flame detection system (based on a UV cell) and various air and gas pressure switches.
- In the switch panel, motor safety switches provide overload and short-circuit protection for the fan motor and the oil pump/motor combination. No one-time-use fuses are used here.
- In the switch panel, motor safety switches provide overload and short-circuit protection for the fan motor and the oil pump/motor combination. No one-time-use fuses are used here.

Type	Burner Capacity (Mcal/u kW)	Ventilation (kW)	O i l (l/h)	G a s (m ³ /h)	A (mm)	B (mm)	C (mm)	D (mm)	E (mm)	F (mm)	G (mm)	H (PN6)	I (mm)	J (mm)
LN 5	500 582	1,1	62	70	500	450	700	297	212	339	636	DN40	223	895
LN 7.5	750 872	1,5	93	105	500	450	700	297	212	382	702	DN40	223	944
LN 10	1.000 1.163	2	125	140	570	520	785	297	260	386	737	DN50	272	977
LN 12.5	1.250 1.454	3	156	175	570	520	785	297	260	437	749	DN50	272	1038
LN 15	1.500 1.745	3	187	210	620	560	910	297	320	437	774	DN80	332	1095
LN 17.5	1.750 2.035	4	218	245	620	560	910	297	320	448	794	DN80	332	1095
LN 20	2.000 2.326	5,5	250	280	620	560	910	297	320	521	848	DN80	332	1218
LN 25	2.500 2.908	5,5	312	350	660	620	960	297	385	521	868	DN80	397	1246
LN 30	3.000 3.489	7,5	375	420	660	620	960	297	385	559	868	DN80	397	1246
LN 35	3.500 4.071	7,5	437	490	825	755	1010	350	465	559	950	DN80	477	1260
LN 40	4.000 4.652	11	500	560	825	755	1010	350	465	655	1051	DN80	477	1383
LN 50	5.000 5.815	15	625	700	940	870	1110	373	540	691	1161	DN80	552	1454
LN 60	6.000 6.978	18,5	750	840	940	870	1110	373	540	736	1161	DN80	552	1454
LN 70	7.000 8.141	18,5	875	980	1040	970	1110	466	640	736	1240	DN100	652	1512
LN 80	8.000 9.304	22	1000	1120	1040	970	1110	466	640	785	1272	DN100	652	1512
LN 90	9.000 10.467	30	1125	1260	1040	970	1360	466	640	918	1431	DN125	652	1814
LN 100	10.000 11.630	37	1250	1400	1040	970	1360	466	640	935	1431	DN125	652	1814
LN 110	11.000 12.793	37	1375	1540	1160	1090	1360	518	760	935	1536	DN150	772	1880
LN 120	12.000 13.956	45	1344	1680	1160	1090	1360	518	760	980	1536	DN150	772	1880

CRONE / BOILER

Major Category	Sub Category	2. Sub Category	Stock Code	Model No.	Product Description
Heating System	Hot Water Boilers	Crone Boilers	4.002.018.001	CRONE	CLW40 - 1000 Mcal - 1200 kW BOILER - CRONE
Heating System	Hot Water Boilers	Crone Boilers	4.002.018.002	CRONE	CLW50 - 1200 Mcal - 1500 kW BOILER - CRONE
Heating System	Hot Water Boilers	Crone Boilers	4.002.018.003	CRONE	CLW60 - 1500 Mcal - 1800 kW BOILER - CRONE
Heating System	Hot Water Boilers	Crone Boilers	4.002.018.004	CRONE	CLW75 - 2000 Mcal - 2400 kW BOILER - CRONE
Heating System	Hot Water Boilers	Crone Boilers	4.002.018.005	CRONE	CLW95 - 2500 Mcal - 3000 kW BOILER - CRONE
Heating System	Hot Water Boilers	Crone Boilers	4.002.018.006	CRONE	CLW115 - 3000 Mcal - 3600 kW BOILER - CRONE
Heating System	Hot Water Boilers	Crone Boilers	4.002.018.007	CRONE	CLW130 - 3500 Mcal - 4200 kW BOILER - CRONE
Heating System	Hot Water Boilers	Crone Boilers	4.002.018.008	CRONE	CLW145 - 4000 Mcal - 4800 kW BOILER - CRONE
Heating System	Hot Water Boilers	Crone Boilers	4.002.018.009	CRONE	CLW155 - 4500 Mcal - 5400 kW BOILER - CRONE
Heating System	Hot Water Boilers	Crone Boilers	4.002.018.010	CRONE	CLW170 - 5000 Mcal - 6000 kW BOILER - CRONE
Heating System	Hot Water Boilers	Crone Boilers	4.002.018.011	CRONE	CLW185 - 5500 Mcal - 6600 kW BOILER - CRONE
Heating System	Hot Water Boilers	Crone Boilers	4.002.018.012	CRONE	CLW200 - 6000 Mcal - 7200 kW BOILER - CRONE
Heating System	Hot Water Boilers	Crone Boilers	4.002.018.013	CRONE	CLW220 - 7000 Mcal - 8400 kW BOILER - CRONE
Heating System	Hot Water Boilers	Crone Boilers	4.002.018.014	CRONE	CLW250 - 8000 Mcal - 9600 kW BOILER - CRONE
Heating System	Hot Water Boilers	Crone Boilers	4.002.018.015	CRONE	CLW275 - 9000 Mcal - 10800 kW BOILER - CRONE
Heating System	Hot Water Boilers	Crone Boilers	4.002.018.016	CRONE	CLW300S - 10000 Mcal - 12000 kW BOILER - CRONE
Heating System	Hot Water Boilers	Crone Boilers	4.002.018.017	CRONE	CLW350S - 12000 Mcal - 14000 kW BOILER - CRONE

ECONOMIZERS / CRONE BURNER

Major Category	Sub Category	2. Sub Category	Stock Code	Model No.	Product Description
Heating System	Hot Water Boilers	Crone Economizers	4.002.019.001	CRONE	L12C ECONOMIZER - CRONE
Heating System	Hot Water Boilers	Crone Economizers	4.002.019.002	CRONE	L18C ECONOMIZER - CRONE
Heating System	Hot Water Boilers	Crone Economizers	4.002.019.003	CRONE	L24C ECONOMIZER - CRONE
Heating System	Hot Water Boilers	Crone Economizers	4.002.019.004	CRONE	L30C ECONOMIZER - CRONE
Heating System	Hot Water Boilers	Crone Economizers	4.002.019.005	CRONE	L36C ECONOMIZER - CRONE
Heating System	Hot Water Boilers	Crone Economizers	4.002.019.006	CRONE	L42C ECONOMIZER - CRONE
Heating System	Hot Water Boilers	Crone Economizers	4.002.019.007	CRONE	L48C ECONOMIZER - CRONE
Heating System	Hot Water Boilers	Crone Economizers	4.002.019.008	CRONE	L60C ECONOMIZER - CRONE
Heating System	Hot Water Boilers	Crone Economizers	4.002.019.009	CRONE	L72C ECONOMIZER - CRONE
Heating System	Hot Water Boilers	Crone Economizers	4.002.019.010	CRONE	L84C ECONOMIZER - CRONE
Heating System	Hot Water Boilers	Crone Economizers	4.002.019.011	CRONE	L96C ECONOMIZER - CRONE
Heating System	Hot Water Boilers	Crone Economizers	4.002.019.012	CRONE	L108C ECONOMIZER - CRONE
Heating System	Hot Water Boilers	Crone Economizers	4.002.019.013	CRONE	L120C ECONOMIZER - CRONE
Heating System	Hot Water Boilers	Crone Economizers	4.002.019.014	CRONE	L140C ECONOMIZER - CRONE

THERMETA LN GAS / OIL BURNERS

Major Category	Sub Category	2. Sub Category	Stock Code	Product Description
Heating System	Burners	Thermeta Burners	4.008.058.001	LN-10-UFGO - 1000 Mcal THERMETA BURNER
Heating System	Burners	Thermeta Burners	4.008.058.002	LN-12,5-UFGO - 1250 Mcal THERMETA BURNER
Heating System	Burners	Thermeta Burners	4.008.058.003	LN-15-UFGO - 1500 Mcal THERMETA BURNER
Heating System	Burners	Thermeta Burners	4.008.058.004	LN-20-UFGO - 2000 Mcal THERMETA BURNER
Heating System	Burners	Thermeta Burners	4.008.058.005	LN-25-UFGO - 2500 Mcal THERMETA BURNER
Heating System	Burners	Thermeta Burners	4.008.058.006	LN-30-UFGO - 3000 Mcal THERMETA BURNER
Heating System	Burners	Thermeta Burners	4.008.058.007	LN-35-UFGO - 3500 Mcal THERMETA BURNER
Heating System	Burners	Thermeta Burners	4.008.058.008	LN-40-UFGO - 4000 Mcal THERMETA BURNER
Heating System	Burners	Thermeta Burners	4.008.058.009	LN-50-UFGO - 5000 Mcal THERMETA BURNER
Heating System	Burners	Thermeta Burners	4.008.058.010	LN-60-UFGO - 6000 Mcal THERMETA BURNER
Heating System	Burners	Thermeta Burners	4.008.058.011	LN-70-UFGO - 7000 Mcal THERMETA BURNER
Heating System	Burners	Thermeta Burners	4.008.058.012	LN-80-UFGO - 8000 Mcal THERMETA BURNER
Heating System	Burners	Thermeta Burners	4.008.058.013	LN-90-UFGO - 9000 Mcal THERMETA BURNER
Heating System	Burners	Thermeta Burners	4.008.058.014	LN-100-UFGO - 10000 Mcal THERMETA BURNER
Heating System	Burners	Thermeta Burners	4.008.058.080	LN-110-UFGO - 1100 Mcal THERMETA BURNER
Heating System	Burners	Thermeta Burners	4.008.058.015	LN-120-UFGO - 12000 Mcal THERMETA BURNER



Greenhouse CO₂ Boiler Solutions



in TURKEY

The first and only

timfog[®] erensan[®]

EUROCO2 - GH SICAK SU KAZANLARI

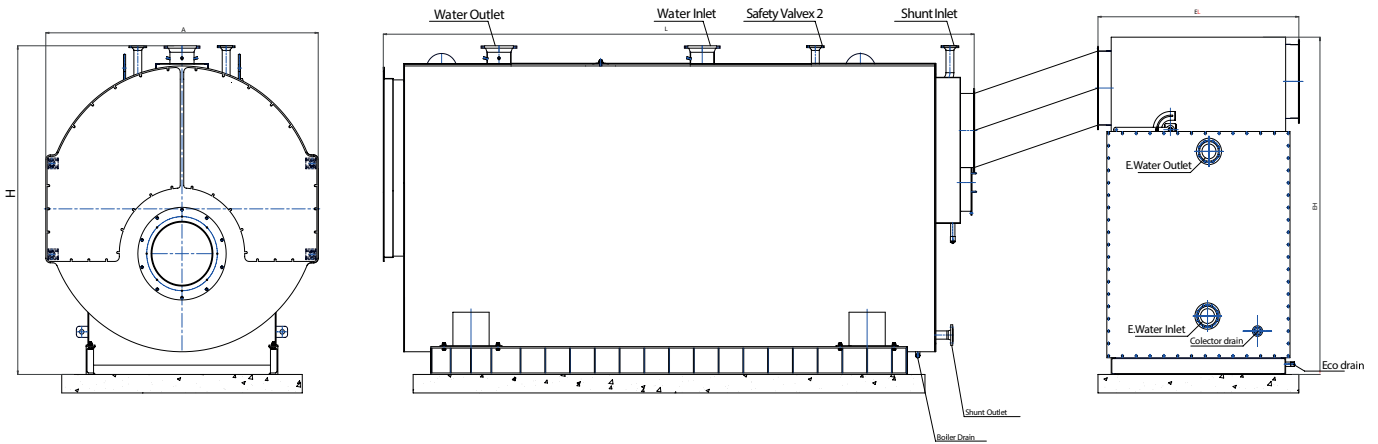
- Capacity range of 2330 – 9300 kW
- Three-pass design for optimum thermal balancing and heat energy utilization, effective heat usage.
- Long boiler lifespan thanks to uninterrupted passage in all three passes and balanced cooling of flue gases.
- Low NOx emissions thanks to its specially designed burner and flame tube dimensioning
- High operational reliability thanks to integrated ejector openings designed for even (homogeneous) temperature distribution and baffles directing return water to the hot zones of the boiler.
- Cover design ensuring easy access during maintenance.



Stock Code	Boiler Capacity (kW)	Ignition Power (kW)	Operating Pressure (bar)	Back Pressure (mbar)	Design Pressure (bar)	Boiler Water Volume (lt)
4.002.018.038	2330	2353	2,50	4,00	3,00	7.545,00
4.002.018.039	3500	3535	2,50	4,00	3,00	11.910,00
4.002.018.040	4000	4040	2,50	4,00	3,00	13.080,00
4.002.018.041	5000	5050	2,50	4,00	3,00	16.310,00
4.002.018.042	6000	6060	2,50	4,00	3,00	18.792,00
4.002.018.043	7000	7070	2,50	4,00	3,00	21.756,00
4.002.018.044	8000	8080	2,50	4,00	3,00	22.241,00
4.002.018.045	9300	9394	2,50 bar	4,00	3,00	28.927,00



HOT WATER BOILERS



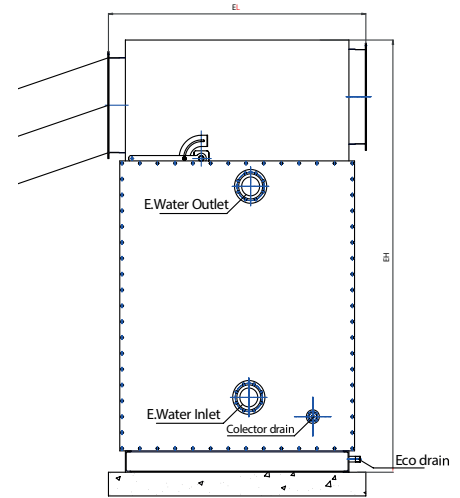
Stock Code	Boiler Width (mm)	Boiler Height (mm)	Boiler Length (mm)	Flue Gas Outlet Diameter (mm)
4.002.018.038	2.070,00	2.440,00	5.610,00	450,00
4.002.018.039	2.410,00	2.780,00	5.610,00	550,00
4.002.018.040	2.545,00	2.945,00	5.950,00	600,00
4.002.018.041	2.700,00	3.100,00	6.460,00	650,00
4.002.018.042	2.895,00	3.290,00	6.460,00	750,00
4.002.018.043	3.095,00	3.500,00	6.460,00	850,00
4.002.018.044	3.150,00	3.550,00	6.700,00	900,00
4.002.018.045	3.250,00	3.700,00	7.685,00	900,00

Stock Code	Stock Description	Water Inlet - Outlet Diameter	Safety Valve Diameter	Shunt Connection Diameter
4.002.018.038	EURO-CO2 GH 2330	DN 150	DN 50	DN 65
4.002.018.039	EURO-CO2 GH 3500	DN 200	DN 65	DN 80
4.002.018.040	EURO-CO2 GH 4000	DN 250	DN 65	DN 80
4.002.018.041	EURO-CO2 GH 5000	DN 250	DN 80	DN 80
4.002.018.042	EURO-CO2 GH 6000	DN 300	DN 80	DN 80
4.002.018.043	EURO-CO2 GH 7000	DN 300	DN 100	DN 100
4.002.018.044	EURO-CO2 GH 8000	DN 300	DN 100	DN 100
4.002.018.045	EURO-CO2 GH 9300	DN 300	DN 125	DN 125

In our CO2 boiler series, where low emissions are targeted, intensive R&D efforts have been carried out for the development of burner technology and combustion chamber design to ensure low emissions by completing combustion within the flame tube. Development continued until the best values were obtained through tests conducted in the R&D laboratory. As a result of the tests, low harmful emissions were observed. With 0 ppm CO and high-quality CO2, the environmental damage has been minimized, making it suitable for use in greenhouse applications with this feature. Thanks to its condensing economizer, high efficiency can be achieved with low flue gas temperatures.



ECONOMIZERS



Stock Code	Stock Description	Boiler Capacity (kW)	Economizer Capacity (kW)	Economizer Back Pressure (mbar)	Economizer Width (mm)	Economizer Height (mm)	Economizer Length (mm)
4.002.018.038	EURO-CO2 GH 2330	2330,00	195,00	1,20	1.295,00	3.290,00	2.860,00
4.002.018.039	EURO-CO2 GH 3500	3500,00	295,00	1,50	1.720,00	3.290,00	2.860,00
4.002.018.040	EURO-CO2 GH 4000	4000,00	335,00	1,50	1.920,00	3.050,00	2.860,00
4.002.018.041	EURO-CO2 GH 5000	5000,00	420,00	2,00	2.110,00	3.050,00	2.860,00
4.002.018.042	EURO-CO2 GH 6000	6000,00	502,00	2,00	2.110,00	3.290,00	2.860,00
4.002.018.043	EURO-CO2 GH 7000	7000,00	584,00	2,50	2.110,00	3.350,00	3.262,00
4.002.018.044	EURO-CO2 GH 8000	8000,00	668,00	2,50	2.110,00	3.765,00	3.262,00
4.002.018.045	EURO-CO2 GH 9300	9300,00	776,00	2,50	2.220,00	3.960,00	3.320,00

Stock Code	Stock Description	Flue Gas Inlet - Outlet Diameter (mm)	Water Inlet-Outlet Nozzle Diameter	Discharge Diameter	Flue Gas Inlet Temperature (°C)	Flue Gas Outlet Temperature (°C)	Water Inlet Temperature (°C)	Water Outlet Temperature (°C)	Water Flow (m³/h)
4.002.018.038	EURO-CO2 GH 2330	450,00	DN 100	2"	180	73	55	57	80,00
4.002.018.039	EURO-CO2 GH 3500	550,00	DN 125	2"	180	73	55	57	120,00
4.002.018.040	EURO-CO2 GH 4000	600,00	DN 125	2"	180	73	55	57	138,00
4.002.018.041	EURO-CO2 GH 5000	650,00	DN 150	2"	180	73	55	57	172,00
4.002.018.042	EURO-CO2 GH 6000	750,00	DN 150	2"	180	74	55	57	206,00
4.002.018.043	EURO-CO2 GH 7000	800,00	DN 150	2"	180	74	55	57	215,00
4.002.018.044	EURO-CO2 GH 8000	900,00	DN 150	2"	180	74	55	57	220,00
4.002.018.045	EURO-CO2 GH 9300	900,00	DN 200	2"	180	74	55	57	256,00

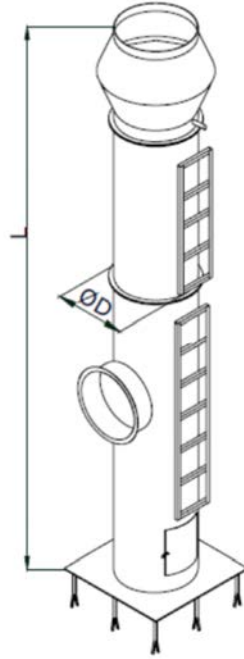
BURNERS

As a result of our R&D studies conducted with Erensan and CIB Unigas, we have achieved NOx emissions of less than 30 mg/kWh by combining two different technologies. Consequently, we have been able to provide the CO2 required by agricultural enterprises operating in the greenhouse sector and the low emission values necessary for a clean world.



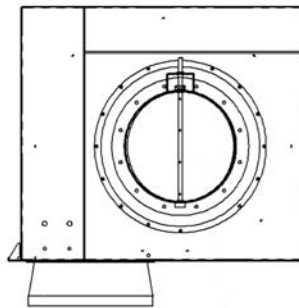
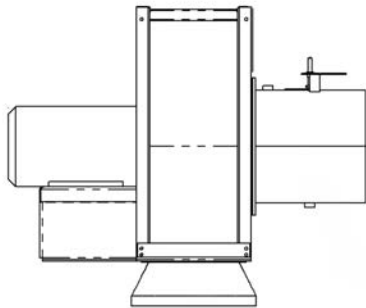
Stock Code	Stock Description	Capacity (kWh)	Fan Motor Power (kW)	Pump Motor Power (kW)	Dimensions (mm)	Weight (kg)
4.008.058.104	H365X MG.MD.SR.TRA.8.50.EFFGR	2330	4,00	1,10	1.367,00 x 1.116,00 x 708,00	320,00
4.008.058.105	H500X MG.MD.SR.TRA.8.65.EFFGR	3500	7,50	1,10	1.496,00 x 1.139,00 x 708,00	330,00
4.008.058.106	K590X MG.MD.SR.TRA.8.65.EFFGR	4000	9,20	1,50	1.747,00 x 1.584,00 x 856,00	420,00
4.008.058.107	K750X MG.MD.SR.TRA.8.80.EFFGR	5000	9,20	1,50	1.747,00 x 1.584,00 x 856,00	420,00
4.008.058.108	N925X MG.MD.SR.TRA.8.80.EFFGR	6000	22,00	3,00	2.070,00 x 1.950,00 x 1.161,00	700,00
4.008.058.109	N1060X MG.MD.SR.TRA.8.80.EFFGR	7000	30,00	4,00	2.070,00 x 1.950,00 x 1.161,00	700,00
4.008.058.110	HRX2050R MG.MD.SR.TRA.8.100.EFFGR	8000	37,00	5,50	2.160,00 x 2.447,00 x 1.314,00	1350,00
4.008.058.111	HRX2050 MG.MD.SR.TRA.8.100.EFFGR	9300	37,00	5,50	2.160,00 x 2.447,00 x 1.314,00	1350,00
	S1700X MG.MD.SR.TRA.8.125.EFFGR	12000	45,00	5,50	2.160,00 x 2.343,00 x 1.314,00	1410,00
	S1900X MG.MD.SR.TRA.8.125.EFFGR	14000	55,00	5,50	2.180,00 x 2.343,00 x 1.314,00	1510,00

CHIMNEY



Stock Code	Stock Description	L (m)	Outer Shell Material	Inner Shell Material	Insulation Material
4.002.020.080	Ø350,0 mm Çift Cidarlı Endüstriyel Baca	10,00	S235JR	AISI 316L	80,0 kg/m ³ - 50,0 mm Kaya Yünü
4.002.020.081	Ø450,0 mm Çift Cidarlı Endüstriyel Baca	10,00	S235JR	AISI 316L	80,0 kg/m ³ - 50,0 mm Kaya Yünü
4.002.020.082	Ø550,0 mm Çift Cidarlı Endüstriyel Baca	10,00	S235JR	AISI 316L	80,0 kg/m ³ - 50,0 mm Kaya Yünü
4.002.020.083	Ø650,0 mm Çift Cidarlı Endüstriyel Baca	10,00	S235JR	AISI 316L	80,0 kg/m ³ - 50,0 mm Kaya Yünü
4.002.020.084	Ø750,0 mm Çift Cidarlı Endüstriyel Baca	10,00	S235JR	AISI 316L	80,0 kg/m ³ - 50,0 mm Kaya Yünü
4.002.020.085	Ø850,0 mm Çift Cidarlı Endüstriyel Baca	10,00	S235JR	AISI 316L	80,0 kg/m ³ - 50,0 mm Kaya Yünü
4.002.020.086	Ø950,0 mm Çift Cidarlı Endüstriyel Baca	10,00	S235JR	AISI 316L	80,0 kg/m ³ - 50,0 mm Kaya Yünü
4.002.020.087	Ø1050,0 mm Çift Cidarlı Endüstriyel Baca	10,00	S235JR	AISI 316L	80,0 kg/m ³ - 50,0 mm Kaya Yünü

CO₂ FANS

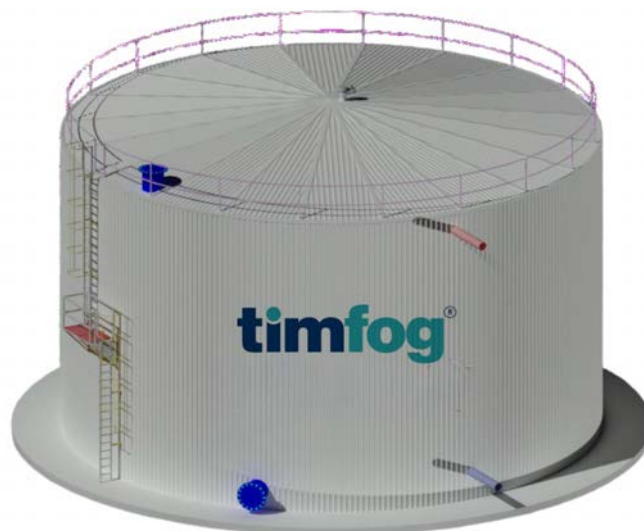
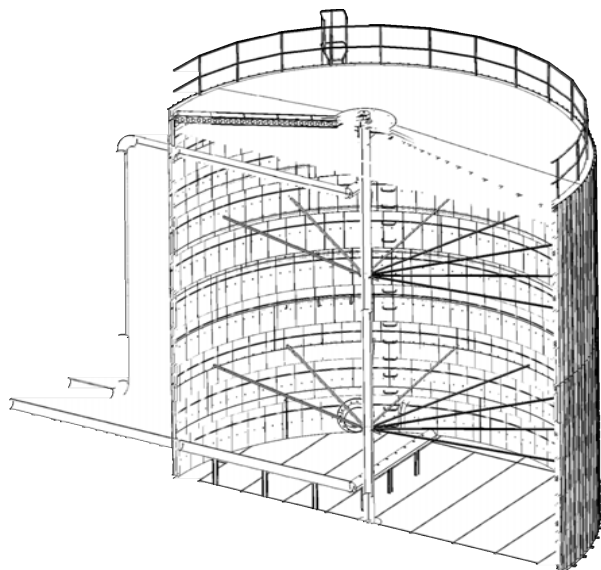


Stock Code	Stock Description	Power (kW)	Air Flow (m ³ /h)	Connection Diameter (mm)	Dimensions (mm)	Weight (kg)
4.010.063.001	Thermeta CO ₂ Fans - T250	2,20	2.175,00	Ø250,00	875,00 x 1.130,00 x 760,00	86,00
4.010.063.002	Thermeta CO ₂ Fans - R250	3,00	3.263,00	Ø250,00	875,00 x 1.130,00 x 760,00	105,00
4.010.063.003	Thermeta CO ₂ Fans - S280	4,00	4.350,00	Ø315,00	875,00 x 1.195,00 x 760,00	117,00
4.010.063.004	Thermeta CO ₂ Fans - R280	5,50	5.438,00	Ø315,00	1.025,00 x 1.250,00 x 850,00	145,00
4.010.063.005	Thermeta CO ₂ Fans - S315	7,50	6.525,00	Ø400,00	1.025,00 x 1.355,00 x 850,00	150,00
4.010.063.006	Thermeta CO ₂ Fans - S400	11,00	8.700,00	Ø400,00	1.025,00 x 1.505,00 x 850,00	210,00
4.010.063.007	Thermeta CO ₂ Fans - V450	15,00	10.875,00	Ø400,00	1.240,00 x 1.590,00 x 1.120,00	280,00
4.010.063.008	Thermeta CO ₂ Fans - T450	18,50	13.050,00	Ø500,00	1.240,00 x 1.730,00 x 1.120,00	316,00
4.010.063.009	Thermeta CO ₂ Fans - S450	22,00	17.400,00	Ø500,00	1.240,00 x 1.780,00 x 1.120,00	380,00
4.010.063.010	Thermeta CO ₂ Fans - T500	30,00	21.750,00	Ø500,00	1.240,00 x 1.840,00 x 1.120,00	445,00

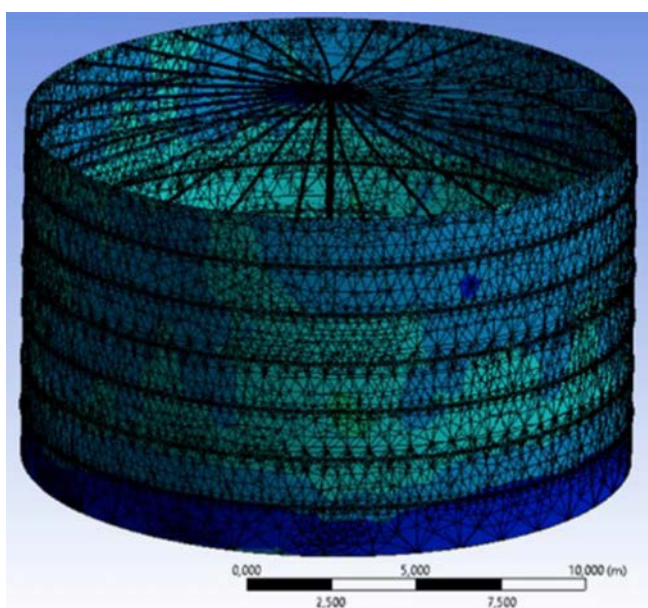


CO₂ fans are an indispensable part of modern greenhouse horticulture. These fans support the photosynthesis process of plants by distributing the carbon dioxide obtained from boilers evenly and efficiently throughout the greenhouse. Produced from energy-saving and durable materials, these fans contribute to the climate control of greenhouses while also reducing operating costs. Thanks to smart control systems, it is possible to precisely adjust the CO₂ level inside the greenhouse, which increases plant yield and quality. Our CO₂ fans are designed to maximize the efficiency and sustainability of our customers in the greenhouse sector.

BUFFER TANKS



Stock Code	Product Description	Base Diameter (mm)	Tank Height (mm)	Insulation Material	Outer Cladding Material	Weight (kg)
3.009.060.019	1000 m³ Buffer Tank	11.500,00	12.800,00	200,00 mm Rock Wool	0,5 mm Corrugated Painted Galvanized Steel Sheet	43.000,00
3.009.060.015	1500 m³ Buffer Tank	13.400,00	12.800,00	200,00 mm Rock Wool	0,5 mm Corrugated Painted Galvanized Steel Sheet	51.500,00
3.009.060.016	2000 m³ Buffer Tank	15.300,00	12.800,00	200,00 mm Rock Wool	0,5 mm Corrugated Painted Galvanized Steel Sheet	60.500,00
3.009.060.017	2500 m³ Buffer Tank	17.200,00	12.800,00	200,00 mm Rock Wool	0,5 mm Corrugated Painted Galvanized Steel Sheet	70.000,00
3.009.060.018	3000 m³ Buffer Tank	19.300,00	12.800,00	200,00 mm Rock Wool	0,5 mm Corrugated Painted Galvanized Steel Sheet	82.000,00



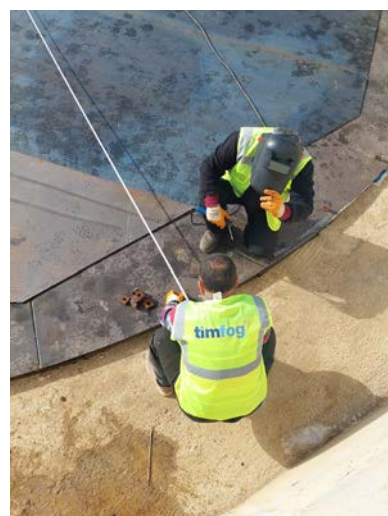
In our engineering process, we utilize computerized analysis and simulation programs to ensure the strength and durability of our buffer tanks. These programs perform a detailed analysis of the structural integrity of the tanks and their resistance to various load and stress conditions that may be encountered in greenhouses. This helps us identify any weak points in the tank design and simultaneously ensures optimum material usage in their production. Thanks to these analyses, we can offer our customers buffer tanks that are not only high-performing but also long-lasting and reliable. This approach emphasizes the quality of our products and their safe usability in greenhouses, allowing us to provide the most suitable solutions for our customers' needs.

BUFFER TANK



Buffer tanks are designed to enhance the efficiency and reliability of greenhouse heating systems. Thanks to their large volume design, these tanks optimize energy consumption and reduce energy costs by storing thermal energy in greenhouses. By ensuring a smoother and more balanced operation of the heating system, buffer tanks prevent excessive temperature fluctuations, maintaining the ideal conditions for your greenhouse environment. Produced with durable materials in our sheet metal processing center and offering easy installation, these tanks provide long-lasting use and require minimal maintenance. Buffer tanks are a fundamental component that increases energy efficiency, reduces operating costs, and strengthens the performance of greenhouse heating systems.

By carefully analyzing customer needs, we offer solutions tailored to each project. Our high-quality production processes are supported by detailed planning and strict quality control standards. On-site, our experienced engineers and technicians work meticulously to ensure the smooth progress of projects. We provide reliable and efficient buffer tank solutions that meet our customers' time and budget expectations. This approach reinforces our leading position in the sector and allows us to offer our customers not only superior quality products but also a flawless service experience.



NITROGEN GENERATORS



Stock Code	Product Description	Required Air Conditions	Nitrogen Purity Rate	Nitrogen Generation	Dimensions (mm)	Weight (kg)
4.009.061.007	NGP10 PPM IEC Atlas Copco Nitrogen Generators	8,50 bar 37,00 Nm ³ /h	% 99.59	7,90 bar 10,60 Nm ³ /s	798,00 x 840,00 x 2.022,00	244,00 kg

PRESSURIZED DRYERS



Stock Code	Product Description	Air Inlet Capacity (m³/h)	Pressure Drop (Bar)	Operating Pressure (Bar)	Dimensions (mm)	Weight (kg)
4.004.028.012	FX 15 Atlas Copco Compressed Air Dryer	1036,80	0,40	13,00	898,00 x 735,00 x 1.002,00	158,00

AIR COMPRESSOR



Stock Code	Product Description	Working Pressure (Bar)	Capacity (m³/h)	Power (kW)	Sound (dB) (A)	Dimensions (mm)	Weight (kg)
4.004.026.010	G 5 P-10 Atlas Copco Screw Air Compressor	8,00 Bar	53,30	5,50	65,00	665,00 x 620,00 x 950,00	185,00 kg

OIL AND PARTICULATE FILTERS



Stock Code	Product Description	Nominal Capacity (l/h)	Max. Working Pressure (Bar)	Dimensions (AxBxC) (mm)	Weight (kg)
4.001.006.273	UD 15+ Atlas Copco Oil and Particulate Filter	15,00	16,00	106,00 x 90,00 x 362,60	1,24
4.001.006.274	PDp 15+ Atlas Copco Particulate Filter	15,00	16,00	106,00 x 90,00 x 362,60	1,24

ACTIVATED CARBON FILTERS



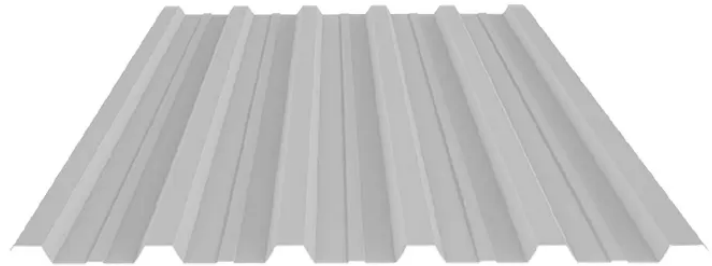
Stock Code	Product Description	Nominal Capacity (l/h)	Connection Diameter	Dimensions (mm)	Weight (kg)
4.001.006.137	QDT 20+ Atlas Copco Activated Carbon Filters	20,00	1/2"	490,00 x 223,00 x 190,00	7,00

ISOLATIONS



Stock Code	Product Description	Density (kg/m³)	Thermal Conductivity (W/mK)	Dimensions (mm)	Weight (kg)
0.001.007.024	Rock Wool Insulation Board	40,00	0,040	600,00 x 1.200,00 x 100,00	2,88
0.001.007.087	T3 Plus Foam Glass Insulation	100,00	0,036	600,00 x 450,00 x 50,00	1,35

CLADDING SHEETS FOR INSULATION



Stock Code	Product Description	Color	Thickness (mm)	Dimensions (mm)	Weight (kg)
0.019.139.296	Painted Trapezoidal Steel Sheet	White	0,50	860,00 x 6.200,00	20,50
1.017.097.246	Painted Roof Insulation Corner Flashing	White	0,50	200,00 x 1.000,00	0,85

VACUUM BREAKERS



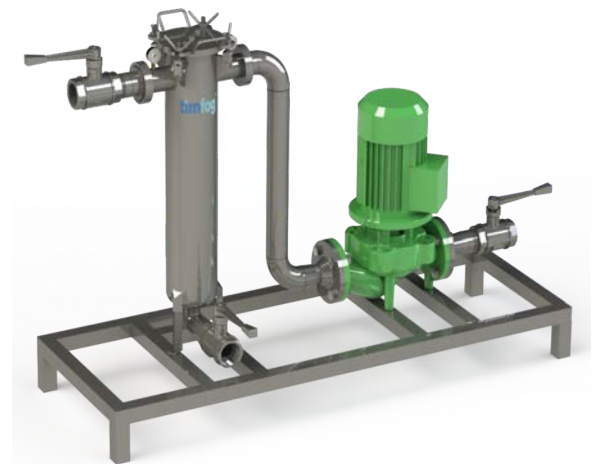
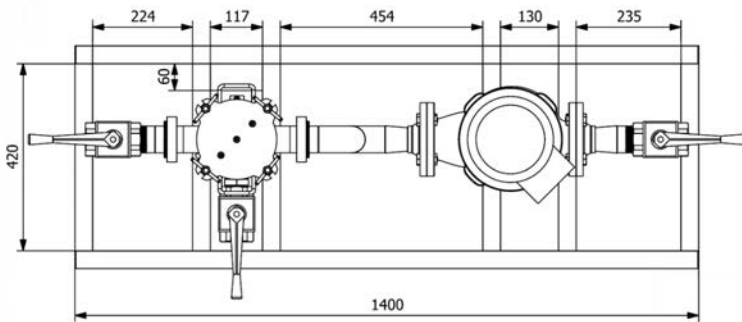
Stock Code	Product Description	Con-nection Diameter	Buffer Tank Volume	Product Dimensions (mm)	Weight (kg)
4.018.135.001	Presscon PV80 Vacuum Breakers	DN80	< 1.000,00 m ³	430,00 x 220,00 x 350,00	14,00
4.018.135.002	Presscon PV150 Vacuum Breakers	DN150	1.000,00 - 2.500,00 m ³	530,00 x 300,00 x 380,00	24,00
4.018.135.003	Presscon PV200 Vacuum Breakers	DN200	> 2.500,00 m ³	670,00 x 370,00 x 400,00	48,00

MAGNETIC FILTERS



Stock Code	Product Description	Inlet / Outlet Connection Diameter	Filter Housing Diameter	No. of Magnets	Dimensions (mm)	Weight (kg)
2.001.012.003	Stainless Steel Magnetic Filter	DN50	DN125	3	188,00 x 252,00 x 646,00	48,00

MAGNETIC FILTER SETS (WITH PUMP)



Stock Code	Product Description	Inlet / Outlet Connection Diameter	Nominal Motor Power (kW)	Max. Flow (m³/h)	Dimensions (mm)	Weight (kg)
3.001.012.008	Stainless Steel Magnetic Filter Set (with Pump)	DN40 x DN50	0,55 kW	19,50 m³/h	500,00 x 1400,00 x 786,00	90,00

WILO PUMPS



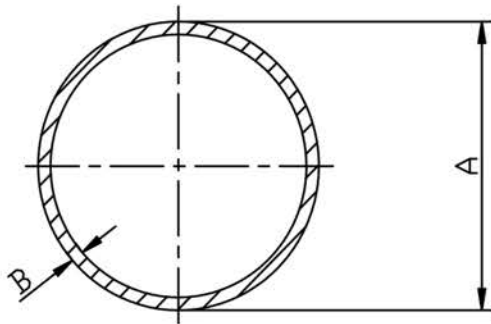
Stock Code	Product Description	Max. Working Pressure (bar)	Motor Power (kW)	Nominal RPM (d/dk)	Suction/Discharge Connection	Weight (kg)
4.003.024.044	IL 100/250-7,5/4	16,00	7,50	1.450,00	DN100 / DN100	178,00
4.003.024.045	IL 100/145-11/2	16,00	11,00	2.900,00	DN100 / DN100	169,00
4.003.024.046	IL 100/200-4/4	16,00	4,00	1.450,00	DN100 / DN100	118,00
4.003.024.047	IL 100/270-11/4	16,00	11,00	1.450,00	DN100 / DN100	205,00
4.003.024.048	IL 100/170-3/4	16,00	3,00	1.450,00	DN100 / DN100	104,00
4.003.024.049	IL 125/210-5,5/4	16,00	5,50	1.450,00	DN125 / DN125	170,00
4.003.024.050	IL 125/145-15/2	16,00	15,00	2.900,00	DN125 / DN125	209,00
4.003.024.051	IL 125/150-18,5/2	16,00	18,50	2.900,00	DN125 / DN125	225,00
4.003.024.052	IL 150/270-22/4	16,00	22,00	1.450,00	DN150 / DN150	394,00
4.003.024.053	IL 100/150-15/2	16,00	15,00	2.900,00	DN100 / DN100	187,00
4.003.024.055	IL 125/270-15/4	16,00	15,00	1.450,00	DN125 / DN125	252,00
4.003.024.060	IL 150/220-11/4	16,00	11,00	1.450,00	DN150 / DN150	238,00
4.003.024.072	IL 200/260-7,5/6	16,00	7,50	950,00	DN200 / DN200	360,00
4.003.024.073	IL 200/240-15/4	16,00	15,00	1.450,00	DN200 / DN200	374,00
4.003.024.080	IL 150/190-5,5/4	16,00	5,50	1.450,00	DN150 / DN150	202,00
4.003.024.093	IL 100/160-18,5/2	16,00	18,50	2.900,00	DN100 / DN100	203,00
4.003.024.096	IL 125/220-7,5/4	16,00	7,50	1.450,00	DN125 / DN125	182,00
4.003.024.101	IL 200/250-18,5/4	16,00	18,50	1.450,00	DN200 / DN200	405,00

WILO PUMPS



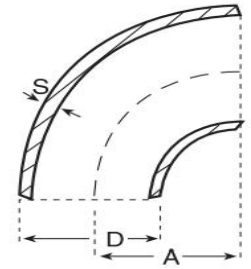
Stock Code	Product Description	Max. Working Pressure (bar)	Motor Power (kW)	Nominal RPM (d/dk)	Inlet/Outlet Connection	Weight (kg)
4.003.024.061	IPL 100/165-2,2/4	10,00	2,20	1.450,00	DN100 / DN100	89,00
4.003.024.062	IPL 80/125-0,75/4	10,00	0,75	1.450,00	DN80 / DN80	41,00
4.003.024.063	IPL 50/140-3/2	10,00	3,00	2.900,00	DN50 / DN50	42,00
4.003.024.064	IPL 80/145-5,5/2	10,00	5,50	2.900,00	DN80 / DN80	85,00
4.003.024.065	IPL 65/130-4/2	10,00	4,00	2.900,00	DN65 / DN65	51,00
4.003.024.066	IPL 40/115-0,55/2	10,00	0,55	2.900,00	DN40 / DN40	20,00
4.003.024.067	IPL 65/120-3/2	10,00	3,00	2.900,00	DN65 / DN65	44,00
4.003.024.068	IPL 50/120-1,5/2	10,00	1,50	2.900,00	DN50 / DN50	36,00
4.003.024.069	IPL 50/160-0,55/4	10,00	0,55	1.450,00	DN50 / DN50	29,00
4.003.024.070	IPL 80/110-4/2	10,00	4,00	2.900,00	DN80 / DN80	56,00
4.003.024.071	IPL 100/175-3/4	10,00	3,00	1.450,00	DN100 / DN100	90,00
4.003.024.074	IPL 40/120-1,5/2	10,00	1,50	2.900,00	DN40 / DN40	33,00
4.003.024.076	IPL 65/110-2,2/2	10,00	2,20	2.900,00	DN65 / DN65	39,00
4.003.024.077	IPL 65/145-5,5/2	10,00	5,50	2.900,00	DN65 / DN65	78,00
4.003.024.078	IPL 40/130-2,2/2	10,00	2,20	2.900,00	DN40 / DN40	34,00
4.003.024.079	IPL 50/130-2,2/2	10,00	2,20	2.900,00	DN50 / DN50	37,00
4.003.024.081	IPL 80/140-1,1/4	10,00	1,10	1.450,00	DN80 / DN80	42,00
4.003.024.082	IPL 80/155-7,5/2	10,00	7,50	2.900,00	DN80 / DN80	94,00
4.003.024.084	IPL 50/105-0,75/2	10,00	0,75	2.900,00	DN50 / DN50	23,00
4.003.024.085	IPL 50/95-0,55/2	10,00	0,55	2.900,00	DN50 / DN50	21,00
4.003.024.087	IPL 32/135-0,25/4	10,00	0,25	1.450,00	DN32 / DN32	20,00
4.003.024.088	IPL 100/145-1,5/4	10,00	1,50	1.450,00	DN100 / DN100	74,00
4.003.024.090	IPL 40/90-0,37/2	10,00	0,37	2.900,00	DN40 / DN40	19,00
4.003.024.091	IPL 65/115-1,5/2	10,00	1,50	2.900,00	DN65 / DN65	37,00
4.003.024.092	IPL 32/125-1,1/2	10,00	1,10	2.900,00	DN32 / DN32	25,00

BLACK STEEL PIPES



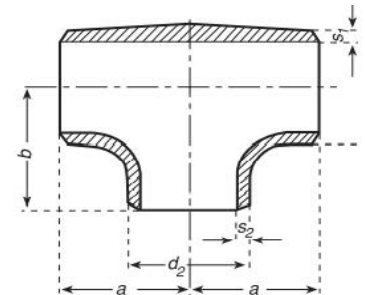
Stock Code	Product Description	Outer Diameter			Thickness (mm)	Weight (kg/m)
		DN	inch	mm		
0.007.052.001	DN15 Standard Weight Black Steel Pipe	DN15	1/2"	21,30 mm	2,60	1,21
0.007.052.003	DN20 Standard Weight Black Steel Pipe	DN20	3/4"	26,90 mm	2,60	1,56
0.007.052.005	DN25 Standard Weight Black Steel Pipe	DN25	1"	33,70 mm	3,20	2,41
0.007.052.007	DN32 Standard Weight Black Steel Pipe	DN32	1 1/4"	42,40 mm	3,20	3,10
0.007.052.009	DN40 Standard Weight Black Steel Pipe	DN40	1 1/2"	48,30 mm	3,20	3,56
0.007.052.011	DN50 Standard Weight Black Steel Pipe	DN50	2"	60,30 mm	3,60	5,03
0.007.052.013	DN65 Standard Weight Black Steel Pipe	DN65	2 1/2"	76,10 mm	3,60	6,44
0.007.052.015	DN80 Standard Weight Black Steel Pipe	DN80	3"	88,90 mm	4,00	8,37
0.007.052.017	DN100 Standard Weight Black Steel Pipe	DN100	4"	114,30 mm	4,50	12,18
0.007.052.019	DN125 Standard Weight Black Steel Pipe	DN125	5"	139,70 mm	5,00	16,61
1.117.266.023	DN150 Standard Weight Black Steel Pipe	DN150	6"	165,10 mm	5,00	20,13
1.117.266.022	DN200 Standard Weight Black Steel Pipe	DN200	8"	219,10 mm	5,60	29,48
1.117.266.021	DN250 Standard Weight Black Steel Pipe	DN250	10"	273,10 mm	6,30	41,43
1.117.266.019	DN300 Standard Weight Black Steel Pipe	DN300	12"	323,90 mm	6,30	49,34
1.117.266.020	DN350 Standard Weight Black Steel Pipe	DN350	14"	355,60 mm	6,30	54,27
1.117.266.018	DN400 Standard Weight Black Steel Pipe	DN400	16"	406,40 mm	6,30	62,16
1.117.266.017	DN450 Standard Weight Black Steel Pipe	DN450	18"	464,00 mm	6,30	71,11
1.117.266.015	DN500 Standard Weight Black Steel Pipe	DN500	20"	508,00 mm	7,20	88,92
1.117.266.016	Ø27,0 mm Black Steel Pipe (t: 2,0 mm)	-	-	27,00 mm	2,00	1,23
1.117.266.014	Ø38,0 mm Black Steel Pipe (t: 2,0 mm)	-	-	38,00 mm	2,00	1,78
1.117.266.012	Ø51,0 mm Black Steel Pipe (t: 2,25 mm)	-	-	51,00 mm	2,25	2,42
1.117.266.013	Ø51,0 mm Black Steel Pipe (t: 2,5 mm)	-	-	51,00 mm	2,50	2,59
1.117.266.010	Ø60,0 mm Black Steel Pipe (t: 2,5 mm)	DN50	2"	60,00 mm	2,50	3,43
1.117.266.011	Ø76,0 mm Black Steel Pipe (t: 2,5 mm)	DN65	2 1/2"	76,00 mm	2,50	4,36
1.117.266.008	Ø89,0 mm Black Steel Pipe (t: 2,5 mm)	DN80	3"	89,00 mm	2,50	5,12
1.117.266.009	Ø114,0 mm Black Steel Pipe (t: 2,5 mm)	DN100	4"	114,00 mm	2,50	6,62
1.117.266.006	Ø140,0 mm Black Steel Pipe (t: 2,5 mm)	DN125	5"	140,00 mm	2,50	9,12

BLACK STEEL ELBOW



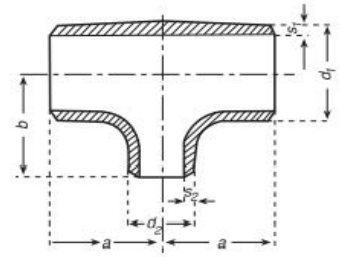
Stock Code	Outer Diameter (D)			Thickness (S) (mm)	Radius(A) (mm)	Weight (kg)
0.006.032.088	DN20	3/4"	26,90 mm	2,30	57,00	0,07
0.006.032.089	DN25	1"	33,70 mm	2,60	76,00	0,12
0.006.032.090	DN32	1 1/4"	42,40 mm	2,60	95,00	0,19
0.006.032.091	DN40	1 1/2"	48,30 mm	2,60	114,00	0,27
0.006.032.092	DN50	2"	60,30 mm	2,90	152,00	0,49
0.006.032.093	DN65	2 1/2"	76,10 mm	2,90	190,00	0,79
0.006.032.094	DN80	3"	88,90 mm	3,20	229,00	1,22
0.006.032.095	DN100	4"	114,30 mm	3,60	305,00	2,37
0.006.032.096	DN125	5"	139,70 mm	4,00	381,00	4,04
0.006.032.097	DN150	6"	168,30 mm	4,50	457,00	6,50
0.006.032.098	DN200	8"	219,10 mm	4,50	610,00	14,90
0.006.032.099	DN250	10"	273,00 mm	6,30	762,00	24,90
0.006.032.100	DN300	12"	323,90 mm	7,10	914,00	40,00

BLACK STEEL TE



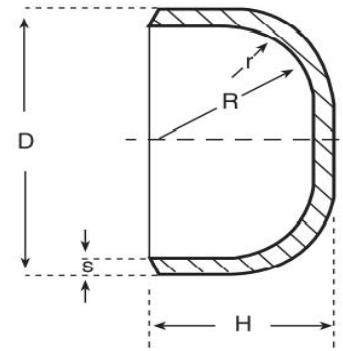
Stock Code	Diameter (d1)			Diameter (d2)			Thickness (S) (mm)	a (mm)	b (mm)	Weight (kg)
0.006.033.255	DN20	3/4"	26,90 mm	DN20	3/4"	26,90 mm	2,30	29,00	29,00	0,23
0.006.033.258	DN25	1"	33,70 mm	DN25	1"	33,70 mm	2,60	38,00	38,00	0,34
0.006.033.261	DN32	1 1/4"	42,40 mm	DN32	1 1/4"	42,40 mm	2,60	48,00	48,00	0,59
0.006.033.264	DN40	1 1/2"	48,30 mm	DN40	1 1/2"	48,30 mm	2,90	57,00	57,00	0,86
0.006.033.268	DN50	2"	60,30 mm	DN50	2"	60,30 mm	2,90	64,00	64,00	1,45
0.006.033.272	DN65	2 1/2"	76,10 mm	DN65	2 1/2"	76,10 mm	2,90	76,00	76,00	2,63
0.006.033.276	DN80	3"	88,90 mm	DN80	3"	88,90 mm	3,20	86,00	86,00	3,27
0.006.033.280	DN100	4"	114,30 mm	DN100	4"	114,30 mm	3,60	105,00	105,00	5,76
0.006.033.284	DN125	5"	139,70 mm	DN125	5"	139,70 mm	4,50	124,00	124,00	9,43
0.006.033.288	DN150	6"	168,30 mm	DN150	6"	168,30 mm	4,50	143,00	143,00	15,01
0.006.033.292	DN200	8"	219,10 mm	DN200	8"	219,10 mm	5,90	178,00	178,00	25,63
0.006.033.296	DN250	10"	273,00 mm	DN250	10"	273,00 mm	6,30	216,00	216,00	41,23
0.006.033.300	DN300	12"	323,90 mm	DN300	12"	323,90 mm	7,10	254,00	254,00	61,69

BLACK STEEL REDUCING TEE



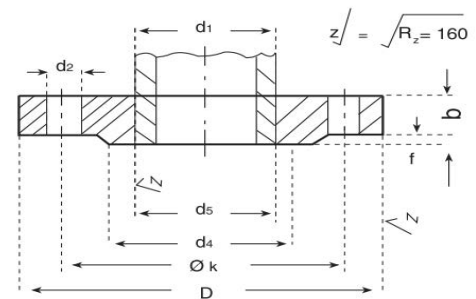
Stock Code	Diameter (d1)		Diameter (d2)		a (mm)	b (mm)	Weight (kg)		
0.006.033.256	DN20	3/4"	26,90 mm	DN15	1/2"	21,30	29,00	29,00	0,19
0.006.033.257	DN20	3/4"	26,90 mm	DN10	3/8"	17,20	29,00	29,00	0,19
0.006.033.426	DN25	1"	33,70 mm	DN20	3/4"	26,90	38,00	38,00	0,37
0.006.033.260	DN25	1"	33,70 mm	DN15	1/2"	21,30	38,00	38,00	0,35
0.006.033.262	DN32	1 1/4"	42,40 mm	DN25	1"	33,70	48,00	48,00	0,59
0.006.033.263	DN32	1 1/4"	42,40 mm	DN20	3/4"	26,90	48,00	48,00	0,59
0.006.033.265	DN40	1 1/2"	48,30 mm	DN32	1 1/4"	42,40	57,00	57,00	0,91
0.006.033.266	DN40	1 1/2"	48,30 mm	DN25	1"	33,70	57,00	57,00	0,86
0.006.033.267	DN40	1 1/2"	48,30 mm	DN20	3/4"	26,90	57,00	57,00	0,82
0.006.033.269	DN50	2"	60,30 mm	DN40	1 1/2"	48,30	64,00	60,00	1,41
0.006.033.270	DN50	2"	60,30 mm	DN32	1 1/4"	42,40	64,00	57,00	1,36
0.006.033.271	DN50	2"	60,30 mm	DN25	1"	33,70	64,00	57,00	1,27
0.006.033.273	DN65	2 1/2"	76,10 mm	DN50	2"	60,30	76,00	70,00	2,45
0.006.033.274	DN65	2 1/2"	76,10 mm	DN40	1 1/2"	48,30	76,00	67,00	2,31
0.006.033.275	DN65	2 1/2"	76,10 mm	DN32	1 1/4"	42,40	76,00	64,00	2,18
0.006.033.277	DN80	3"	88,90 mm	DN65	2 1/2"	76,10	86,00	83,00	3,27
0.006.033.278	DN80	3"	88,90 mm	DN50	2"	60,30	86,00	76,00	3,18
0.006.033.279	DN80	3"	88,90 mm	DN40	1 1/2"	48,30	86,00	73,00	3,08
0.006.033.281	DN100	4"	114,30 mm	DN80	3"	88,90	105,00	98,00	5,40
0.006.033.282	DN100	4"	114,30 mm	DN65	2 1/2"	76,10	105,00	95,00	5,26
0.006.033.283	DN100	4"	114,30 mm	DN50	2"	60,30	105,00	89,00	5,17
0.006.033.285	DN125	5"	139,70 mm	DN100	4"	114,30	124,00	117,00	9,3
0.006.033.286	DN125	5"	139,70 mm	DN80	3"	88,90	124,00	110,00	8,8
0.006.033.287	DN125	5"	139,70 mm	DN65	2 1/2"	76,10	124,00	108,00	8,62
0.006.033.289	DN150	6"	168,30 mm	DN125	6"	139,70	143,00	137,50	14,51
0.006.033.427	DN150	6"	168,30 mm	DN100	4"	114,30	143,00	130,00	13,83
0.006.033.291	DN150	6"	168,30 mm	DN80	3"	88,90	143,00	124,00	13,61
0.006.033.293	DN200	8"	219,10 mm	DN150	6"	168,30	178,00	168,00	25,63
0.006.033.294	DN200	8"	219,10 mm	DN125	6"	139,70	178,00	162,00	24,49
0.006.033.295	DN200	8"	219,10 mm	DN100	4"	114,30	178,00	156,00	24,13
0.006.033.297	DN250	10"	273,00 mm	DN200	10"	219,10	216,00	200,00	39,24
0.006.033.298	DN250	10"	273,00 mm	DN150	6"	168,30	216,00	194,00	38,96
0.006.033.299	DN250	10"	273,00 mm	DN125	6"	139,70	216,00	190,00	37,42
0.006.033.301	DN300	12"	323,90 mm	DN250	12"	273,00	254,00	240,00	55,79
0.006.033.302	DN300	12"	323,90 mm	DN200	10"	219,10	254,00	230,00	54,43
0.006.033.303	DN300	12"	323,90 mm	DN150	6"	168,30	254,00	220,00	53,52

BLACK STEEL CAP



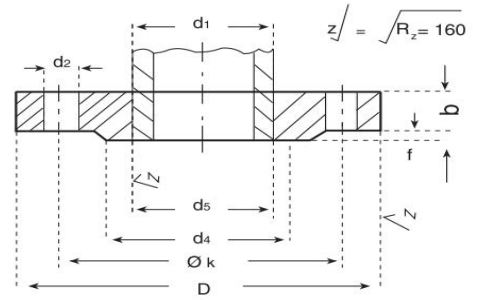
Stock Code	Diameter (D)		Thickness (s) (mm)	Height (H) (mm)	Weight (kg)	
0.006.034.018	DN20	3/4"	26,90 mm	2,30	32,00	0,04
0.006.034.019	DN25	1"	33,70 mm	2,60	38,00	0,07
0.006.034.020	DN32	1 1/4"	42,40 mm	2,60	38,00	0,11
0.006.034.021	DN40	1 1/2"	48,30 mm	2,60	38,00	0,14
0.006.034.022	DN50	2"	60,30 mm	2,90	38,00	0,26
0.006.034.023	DN65	2 1/2"	76,10 mm	2,90	38,00	0,34
0.006.034.024	DN80	3"	88,90 mm	3,20	50,00	0,50
0.006.034.025	DN100	4"	114,30 mm	3,60	64,00	1,07
0.006.034.026	DN125	5"	139,70 mm	4,00	75,00	1,55
0.006.034.027	DN150	6"	168,30 mm	4,50	90,00	2,65
0.006.034.028	DN200	8"	219,10 mm	5,90	100,00	5,20
0.006.034.029	DN250	10"	273,00 mm	6,30	127,00	8,10
0.006.034.030	DN300	12"	323,90 mm	7,10	152,00	11,75

BLACK STEEL PN6 FLANGE



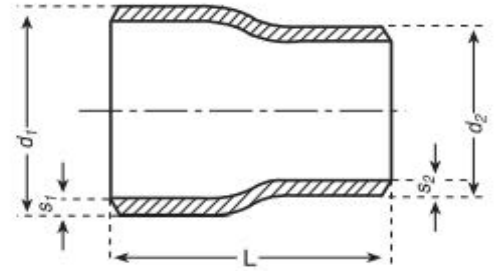
Stock Code	Diameter (d1)		D (mm)	b (mm)	Øk (mm)	No. of Holes	Hole Diameter	Weight (kg)	
0.006.041.054	DN15	1/2"	21,30 mm	80,00	12,00	55,00	4	M10	0,41
0.006.041.055	DN20	3/4"	26,90 mm	90,00	14,00	65,00	4	M10	0,60
0.006.041.056	DN25	1"	33,70 mm	100,00	14,00	75,00	4	M10	0,74
0.006.041.057	DN32	1 1/4"	42,40 mm	120,00	16,00	90,00	4	M12	1,19
0.006.041.058	DN40	1 1/2"	48,30 mm	130,00	16,00	100,00	4	M12	1,39
0.006.041.059	DN50	2"	60,30 mm	140,00	16,00	110,00	4	M12	1,53
0.006.041.060	DN65	2 1/2"	76,10 mm	160,00	16,00	130,00	4	M12	1,78
0.006.041.061	DN80	3"	88,90 mm	190,00	18,00	150,00	4	M16	2,86
0.006.041.062	DN100	4"	114,30 mm	210,00	18,00	170,00	4	M16	3,02
0.006.041.063	DN125	5"	139,70 mm	240,00	20,00	200,00	8	M16	4,12
0.006.041.064	DN150	6"	168,30 mm	265,00	20,00	225,00	8	M16	4,76
0.006.041.065	DN200	8"	219,10 mm	375,00	22,00	280,00	8	M16	6,65

BLACK STEEL PN16 FLANGE



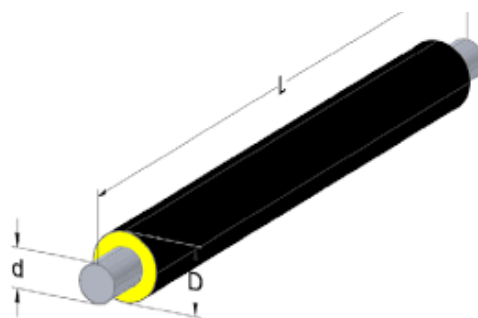
Stock Code	Diameter (d1)			D (mm)	b (mm)	Øk (mm)	No. of Holes	Hole Diameter	Weight (kg)
0.006.041.072	DN25	1"	33,70 mm	115,00	16,00	85,00	4	M12	1,10 kg
0.006.041.073	DN32	1 1/4"	42,40 mm	140,00	18,00	100,00	4	M16	1,70 kg
0.006.041.074	DN40	1 1/2"	48,30 mm	150,00	18,00	110,00	4	M16	1,95 kg
0.006.041.075	DN50	2"	60,30 mm	165,00	20,00	125,00	4	M16	2,58 kg
0.006.041.076	DN65	2 1/2"	76,10 mm	185,00	20,00	145,00	4	M16	2,96 kg
0.006.041.077	DN80	3"	88,90 mm	200,00	20,00	160,00	8	M16	3,44 kg
0.006.041.078	DN100	4"	114,30 mm	220,00	22,00	180,00	8	M16	4,30 kg
0.006.041.079	DN125	5"	139,70 mm	250,00	22,00	210,00	8	M16	5,10 kg
0.006.041.080	DN150	6"	168,30 mm	285,00	24,00	240,00	8	M20	6,73 kg
0.006.041.081	DN200	8"	219,10 mm	340,00	26,00	295,00	12	M20	9,30 kg
0.006.041.082	DN250	10"	273,00 mm	405,00	29,00	355,00	12	M24	12,70 kg
0.006.041.083	DN300	12"	323,90 mm	460,00	32,00	410,00	12	M24	18,20 kg

BLACK STEEL REDUCERS



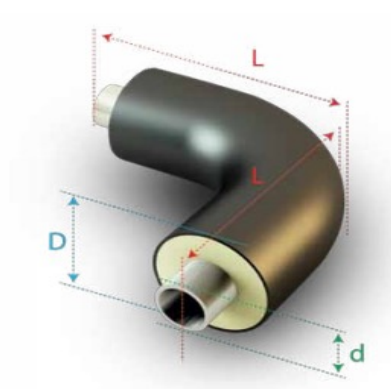
Stock Code	Diameter (d1)		Diameter (d2)		L (mm)	Weight (kg)		
0.006.031.113	DN20	3/4"	26,90 mm	DN15	1/2"	21,30 mm	38,00	0,10
0.006.031.304	DN20	3/4"	26,90 mm	DN10	3/8"	17,20 mm	38,00	0,10
0.006.031.115	DN25	1"	33,70 mm	DN20	3/4"	26,90 mm	50,00	0,16
0.006.031.114	DN25	1"	33,70 mm	DN15	1/2"	21,30 mm	50,00	0,16
0.006.031.305	DN32	1 1/4"	42,40 mm	DN25	1"	33,70 mm	50,00	0,22
0.006.031.117	DN32	1 1/4"	42,40 mm	DN20	3/4"	26,90 mm	50,00	0,19
0.006.031.116	DN32	1 1/4"	42,40 mm	DN15	1/2"	21,30 mm	50,00	0,19
0.006.031.121	DN40	1 1/2"	48,30 mm	DN32	1 1/4"	42,40 mm	64,00	0,29
0.006.031.120	DN40	1 1/2"	48,30 mm	DN25	1"	33,70 mm	64,00	0,26
0.006.031.119	DN40	1 1/2"	48,30 mm	DN20	3/4"	26,90 mm	64,00	0,25
0.006.031.124	DN50	2"	60,30 mm	DN40	1 1/2"	48,30 mm	76,00	0,43
0.006.031.123	DN50	2"	60,30 mm	DN32	1 1/4"	42,40 mm	76,00	0,40
0.006.031.122	DN50	2"	60,30 mm	DN25	1"	33,70 mm	76,00	0,37
0.006.031.127	DN65	2 1/2"	76,10 mm	DN50	2"	60,30 mm	90,00	0,73
0.006.031.126	DN65	2 1/2"	76,10 mm	DN40	1 1/2"	48,30 mm	90,00	0,68
0.006.031.306	DN65	2 1/2"	76,10 mm	DN32	1 1/4"	42,40 mm	90,00	0,64
0.006.031.130	DN80	3"	88,90 mm	DN65	2 1/2"	76,10 mm	90,00	1,00
0.006.031.129	DN80	3"	88,90 mm	DN50	2"	60,30 mm	90,00	0,91
0.006.031.128	DN80	3"	88,90 mm	DN40	1 1/2"	48,30 mm	90,00	0,86
0.006.031.133	DN100	4"	114,30 mm	DN80	3"	88,90 mm	100,00	1,50
0.006.031.132	DN100	4"	114,30 mm	DN65	2 1/2"	76,10 mm	100,00	1,45
0.006.031.131	DN100	4"	114,30 mm	DN50	2"	60,30 mm	100,00	1,41
0.006.031.136	DN125	5"	139,70 mm	DN100	4"	114,30 mm	127,00	2,49
0.006.031.135	DN125	5"	139,70 mm	DN80	3"	88,90 mm	127,00	2,31
0.006.031.134	DN125	5"	139,70 mm	DN65	2 1/2"	76,10 mm	127,00	2,18
0.006.031.139	DN150	6"	168,30 mm	DN125	5"	139,70 mm	140,00	3,45
0.006.031.138	DN150	6"	168,30 mm	DN100	4"	114,30 mm	140,00	3,36
0.006.031.137	DN150	6"	168,30 mm	DN80	3"	88,90 mm	140,00	3,13
0.006.031.142	DN200	8"	219,10 mm	DN125	6"	168,30 mm	152,00	5,58
0.006.031.141	DN200	8"	219,10 mm	DN125	5"	139,70 mm	152,00	5,22
0.006.031.140	DN200	8"	219,10 mm	DN100	4"	114,30 mm	152,00	4,90
0.006.031.145	DN250	10"	273,00 mm	DN200	8"	219,10 mm	178,00	10,02
0.006.031.144	DN250	10"	273,00 mm	DN150	6"	168,30 mm	178,00	9,39
0.006.031.143	DN250	10"	273,00 mm	DN125	5"	139,70 mm	178,00	8,85
0.006.031.148	DN300	12"	323,90 mm	DN250	10"	273,00 mm	203,00	14,70
0.006.031.147	DN300	12"	323,90 mm	DN200	8"	219,10 mm	203,00	13,83
0.006.031.146	DN300	12"	323,90 mm	DN150	6"	168,30 mm	203,00	13,38

PRE-INSULATED STEEL PIPES



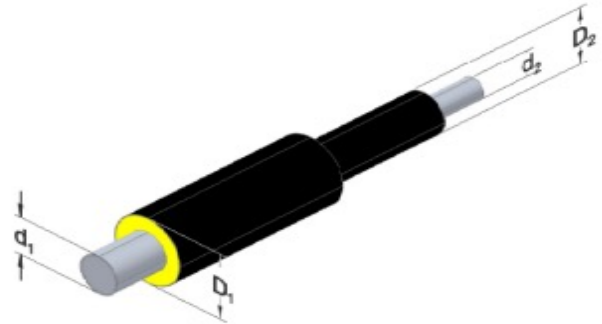
Stock Code	Service Pipe				HDPE 100 Casing Pipe			Insulation Thickness (mm)	
	Outer Diameter		Inner Diameter (mm)	Thickness (mm)	Outer Diameter (mm)	Inner Diameter (mm)	Thickness (mm)		
0.007.053.003	DN32	1 1/4"	42,40 mm	37,20	2,60	110,00	104,00	3,00	30,80
0.007.053.004	DN40	1 1/2"	48,30 mm	43,10	2,60	110,00	104,00	3,00	27,90
0.007.053.005	DN50	2"	60,30 mm	54,50	2,90	125,00	119,00	3,00	29,40
0.007.053.006	DN65	2 1/2"	76,10 mm	70,30	2,90	140,00	134,00	3,00	29,00
0.007.053.007	DN80	3"	88,90 mm	82,50	3,20	160,00	154,00	3,00	32,60
0.007.053.008	DN100	4"	114,30 mm	107,10	3,60	200,00	193,60	3,20	39,70
0.007.053.009	DN125	5"	139,70 mm	132,50	3,60	225,00	218,20	3,40	39,30
0.007.053.010	DN150	6"	168,30 mm	160,30	4,00	250,00	242,80	3,60	37,30
0.007.053.011	DN200	8"	219,10 mm	210,10	4,50	315,00	306,80	4,10	43,90
0.007.053.012	DN250	10"	273,00 mm	263,00	5,00	400,00	390,40	4,80	58,70

PRE-INSULATED 90° ELBOW



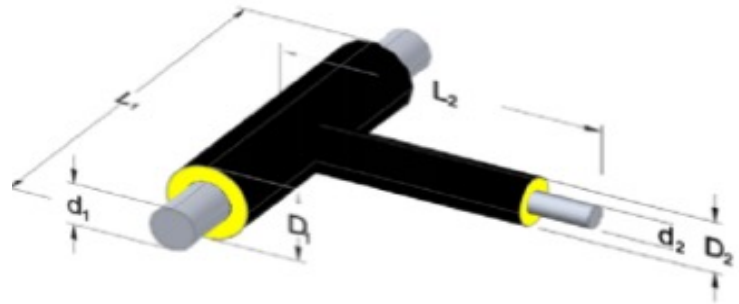
Stock Code	Service Pipe			HDPE 100 Casing Pipe			L (mm)
	Outer Diameter		Inner Diameter (mm)	Outer Diameter	PE Thickness (mm)		
0.006.032.024	DN40	1 1/2"	48,30 mm	DN110	560,00 mm	3,00	30,80
0.006.032.025	DN50	2"	60,30 mm	DN125	580,00 mm	3,00	27,90
0.006.032.026	DN65	2 1/2"	76,10 mm	DN140	620,00 mm	3,00	29,40
0.006.032.027	DN80	3"	88,90 mm	DN160	650,00 mm	3,00	29,00
0.006.032.028	DN100	4"	114,30 mm	DN200	710,00 mm	3,00	32,60
0.006.032.029	DN125	5"	139,70 mm	DN225	770,00 mm	3,20	39,70
0.006.032.030	DN150	6"	168,30 mm	DN250	830,00 mm	3,40	39,30
0.006.032.031	DN200	8"	219,10 mm	DN315	1000,00 mm	3,60	37,30
0.006.032.032	DN250	10"	273,00 mm	DN400	1200,00 mm	4,10	43,90

PRE-INSULATED REDUCER



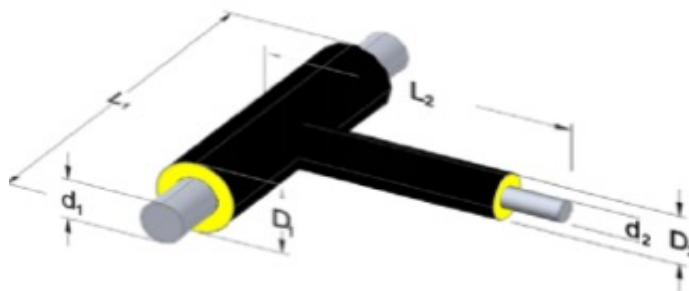
Stock Code	Service Pipe			HDPE 100 Casing Pipe	Service Pipe			HDPE 100 Casing Pipe	L (mm)
	Outer Diameter			Outer Diameter (mm)	Outer Diameter			Outer Diameter (mm)	
0.006.031.013	DN50	2"	60,30 mm	125,00	DN65	2 1/2"	76,10 mm	140,00	750,00
0.006.031.014	DN50	2"	60,30 mm	125,00	DN80	3"	88,90 mm	160,00	750,00
0.006.031.016	DN65	2 1/2"	76,10 mm	140,00	DN80	3"	88,90 mm	160,00	750,00
0.006.031.017	DN65	2 1/2"	76,10 mm	140,00	DN100	4"	114,30 mm	200,00	750,00
0.006.031.019	DN80	3"	88,90 mm	160,00	DN100	4"	114,30 mm	200,00	750,00
0.006.031.020	DN80	3"	88,90 mm	160,00	DN125	5"	139,70 mm	225,00	750,00
0.006.031.022	DN100	4"	114,30 mm	200,00	DN125	5"	139,70 mm	225,00	750,00
0.006.031.023	DN100	4"	114,30 mm	200,00	DN150	6"	168,30 mm	250,00	750,00
0.006.031.025	DN125	5"	139,70 mm	225,00	DN150	6"	168,30 mm	250,00	750,00
0.006.031.026	DN125	5"	139,70 mm	225,00	DN200	8"	219,10 mm	315,00	750,00
0.006.031.028	DN150	6"	168,30 mm	250,00	DN200	8"	219,10 mm	315,00	750,00
0.006.031.029	DN150	6"	168,30 mm	250,00	DN250	10"	273,00 mm	400,00	750,00
0.006.031.031	DN200	8"	219,10 mm	315,00	DN250	10"	273,00 mm	400,00	750,00

PRE-INSULATED REDUCING TEE



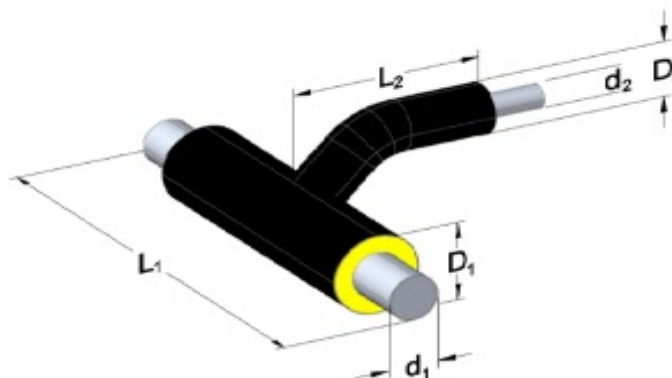
Stock Code	Service Pipe			HDPE 100 Klif Boru	L1 (mm)	Service Pipe			HDPE 100 Casing Pipe	L2 (mm)
	Outer Diameter			Outer Diameter		Outer Diameter			Outer Dia. (mm)	
0.006.033.075	DN65	2 1/2"	76,10 mm	140,00 mm	1000,00	DN50	2"	60,30 mm	125,00	750,00
0.006.033.079	DN80	3"	88,90 mm	160,00 mm	1000,00	DN65	2 1/2"	76,10 mm	140,00	750,00
0.006.033.080	DN80	3"	88,90 mm	160,00 mm	1000,00	DN50	2"	60,30 mm	125,00	750,00
0.006.033.083	DN100	4"	114,30 mm	200,00 mm	1000,00	DN80	3"	88,90 mm	160,00	750,00
0.006.033.084	DN100	4"	114,30 mm	200,00 mm	1000,00	DN65	2 1/2"	76,10 mm	140,00	750,00
0.006.033.085	DN100	4"	114,30 mm	200,00 mm	1000,00	DN50	2"	60,30 mm	125,00	750,00
0.006.033.087	DN125	5"	139,70 mm	225,00 mm	1000,00	DN100	4"	114,30 mm	200,00	750,00
0.006.033.088	DN125	5"	139,70 mm	225,00 mm	1000,00	DN80	3"	88,90 mm	160,00	750,00
0.006.033.089	DN125	5"	139,70 mm	225,00 mm	1000,00	DN65	2 1/2"	76,10 mm	140,00	750,00
0.006.033.091	DN150	6"	168,30 mm	250,00 mm	1000,00	DN125	5"	139,70 mm	225,00	750,00
0.006.033.092	DN150	6"	168,30 mm	250,00 mm	1000,00	DN100	4"	114,30 mm	200,00	750,00
0.006.033.093	DN150	6"	168,30 mm	250,00 mm	1000,00	DN80	3"	88,90 mm	160,00	750,00
0.006.033.095	DN200	8"	219,10 mm	315,00 mm	1000,00	DN150	6"	168,30 mm	250,00	750,00
0.006.033.096	DN200	8"	219,10 mm	315,00 mm	1000,00	DN125	5"	139,70 mm	225,00	750,00
0.006.033.097	DN200	8"	219,10 mm	315,00 mm	1000,00	DN100	4"	114,30 mm	200,00	750,00
0.006.033.099	DN250	10"	273,00 mm	400,00 mm	1000,00	DN200	8"	219,10 mm	315,00	750,00
0.006.033.100	DN250	10"	273,00 mm	400,00 mm	1000,00	DN150	6"	168,30 mm	250,00	750,00
0.006.033.101	DN250	10"	273,00 mm	400,00 mm	1000,00	DN125	5"	139,70 mm	225,00	750,00
0.006.033.112	DN250	10"	273,00 mm	400,00 mm	1000,00	DN100	4"	114,30 mm	200,00 mm	750,00

PRE-INSULATED TEE



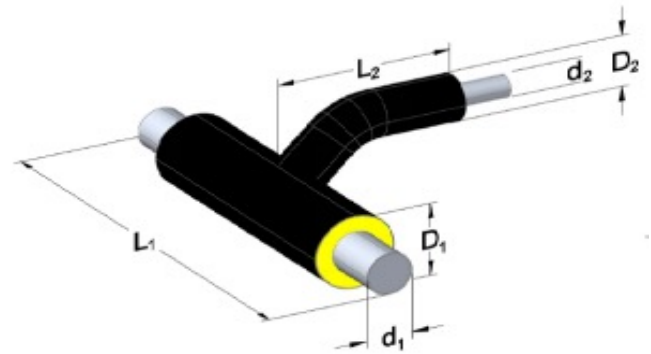
Stock Code	Product Description	Service Pipe	HDPE 100 Casing Pipe (mm)	L1 (mm)	L2 (mm)
0.006.033.070	50,00 x 50,00 x 50,00 mm Pre-Insulated Tee	2"	125,00	1.000,00	750,00
0.006.033.074	65,00 x 65,00 x 65,00 mm Pre-Insulated Tee	2 1/2"	140,00	1.000,00	750,00
0.006.033.078	80,00 x 80,00 x 80,00 mm Pre-Insulated Tee	3"	160,00	1.000,00	750,00
0.006.033.082	100,00 x 100,00 x 100,00 mm Pre-Insulated Tee	4"	200,00	1.000,00	750,00
0.006.033.086	125,00 x 125,00 x 125,00 mm Pre-Insulated Tee	5"	225,00	1.000,00	750,00
0.006.033.090	150,00 x 150,00 x 150,00 mm Pre-Insulated Tee	6"	250,00	1.000,00	750,00
0.006.033.094	200,00 x 200,00 x 200,00 mm Pre-Insulated Tee	8"	315,00	1.000,00	750,00
0.006.033.098	250,00 x 250,00 x 250,00 mm Pre-Insulated Tee	10"	400,00	1.000,00	750,00

PRE-INSULATED BRANCH TEE



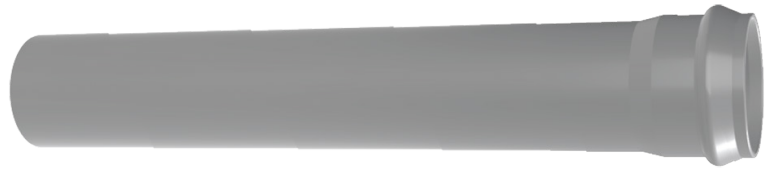
Stock Code	Product Description	Service Pipe	HDPE 100 Casing Pipe (mm)	L1 (mm)	L2 (mm)
0.006.033.143	80.00 x 80.00 x 80.00 mm Pre-Insulated Branch Tee	3"	160,00	1000,00	750,00
0.006.033.147	100.00 x 100.00 x 100.00 mm Pre-Insulated Branch Tee	4"	200,00	1000,00	750,00
0.006.033.151	125.00 x 125.00 x 125.00 mm Pre-Insulated Branch Tee	5"	225,00	1000,00	750,00
0.006.033.155	150.00 x 150.00 x 150.00 mm Pre-Insulated Branch Tee	6"	250,00	1000,00	750,00
0.006.033.159	200.00 x 200.00 x 200.00 mm Pre-Insulated Branch Tee	8"	315,00	1000,00	750,00
0.006.033.163	250.00 x 250.00 x 250.00 mm Pre-Insulated Branch Tee	10"	400,00	1000,00	750,00

PRE-INSULATED REDUCING BRANCH TEE



Stock Code	Service Pipe		L1 (mm)	Service Pipe		HDPE 100 Casing Pipe	L2 (mm)	
	Outer Diameter			Outer Diameter				
0.006.033.140	2 1/2"	76,10 mm	140,00 mm	1000,00	2"	60,30 mm	125,00 mm	750,00
0.006.033.144	3"	88,90 mm	160,00 mm	1000,00	2 1/2"	76,10 mm	140,00 mm	750,00
0.006.033.145	3"	88,90 mm	160,00 mm	1000,00	2"	60,30 mm	125,00 mm	750,00
0.006.033.148	4"	114,30 mm	200,00 mm	1000,00	3"	88,90 mm	160,00 mm	750,00
0.006.033.149	4"	114,30 mm	200,00 mm	1000,00	2 1/2"	76,10 mm	140,00 mm	750,00
0.006.033.152	5"	139,70 mm	225,00 mm	1000,00	4"	114,30 mm	200,00 mm	750,00
0.006.033.153	5"	139,70 mm	225,00 mm	1000,00	3"	88,90 mm	160,00 mm	750,00
0.006.033.156	6"	168,30 mm	250,00 mm	1000,00	5"	139,70 mm	225,00 mm	750,00
0.006.033.157	6"	168,30 mm	250,00 mm	1000,00	4"	114,30 mm	200,00 mm	750,00
0.006.033.158	6"	168,30 mm	250,00 mm	1000,00	3"	88,90 mm	160,00 mm	750,00
0.006.033.160	8"	219,10 mm	315,00 mm	1000,00	6"	168,30 mm	250,00 mm	750,00
0.006.033.161	8"	219,10 mm	315,00 mm	1000,00	5"	139,70 mm	225,00 mm	750,00
0.006.033.162	8"	219,10 mm	315,00 mm	1000,00	4"	114,30 mm	200,00 mm	750,00
0.006.033.164	10"	273,00 mm	400,00 mm	1000,00	8"	219,10 mm	315,00 mm	750,00
0.006.033.165	10"	273,00 mm	400,00 mm	1000,00	6"	168,30 mm	250,00 mm	750,00
0.006.033.166	10"	273,00 mm	400,00 mm	1000,00	5"	139,70 mm	225,00 mm	750,00

U-PVC CO₂ BORULARI



Stock Code	Product Description	Product Model	Diameter (mm)	Thickness (mm)
0.007.050.023	Ø32,00 mm SN4 U-PVC CO ₂ Pipe	0401100032	Ø90,00	2,50
0.007.050.005	Ø90,00 mm SN4 U-PVC CO ₂ Pipe	0101004090	Ø90,00	3,00
0.007.050.006	Ø110,00 mm SN4 U-PVC CO ₂ Pipe	0101004110	Ø110,00	3,20
0.007.050.007	Ø125,00 mm SN4 U-PVC CO ₂ Pipe	0101004125	Ø125,00	3,20
0.007.050.008	Ø160,00 mm SN4 U-PVC CO ₂ Pipe	0101004160	Ø160,00	4,00
0.007.050.009	Ø200,00 mm SN4 U-PVC CO ₂ Pipe	0101004200	Ø200,00	4,90
0.007.050.010	Ø250,00 mm SN4 U-PVC CO ₂ Pipe	0101004250	Ø250,00	6,20
0.007.050.011	Ø315,00 mm SN4 U-PVC CO ₂ Pipe	0101004315	Ø315,00	7,70
0.007.050.012	Ø400,00 mm SN4 U-PVC CO ₂ Pipe	0101004400	Ø400,00	9,80
0.007.050.013	Ø500,00 mm SN4 U-PVC CO ₂ Pipe	0101004500	Ø500,00	12,30
0.007.050.014	Ø630,00 mm SN4 U-PVC CO ₂ Pipe	0101004630	Ø630,00	15,40

U-PVC 90° ELBOW



Stock Code	Product Description	Product Model	Diameter (mm)	Connection Type
0.006.032.271	Ø32,00 mm U-PVC CO ₂ 90° Elbow	0105208032	32,00	One End Socketed
0.006.032.010	Ø110,00 mm U-PVC CO ₂ 90° Elbow	0103108110	110,00	One End Socketed
0.006.032.011	Ø125,00 mm U-PVC CO ₂ 90° Elbow	0103108125	125,00	One End Socketed
0.006.032.012	Ø160,00 mm U-PVC CO ₂ 90° Elbow	0103108160	160,00	One End Socketed
0.006.032.013	Ø200,00 mm U-PVC CO ₂ 90° Elbow	0103108200	200,00	One End Socketed
0.006.032.014	Ø250,00 mm U-PVC CO ₂ 90° Elbow	0103128250	250,00	One End Socketed
0.006.032.015	Ø315,00 mm U-PVC CO ₂ 90° Elbow	0103128315	315,00	One End Socketed
0.006.032.016	Ø400,00 mm U-PVC CO ₂ 90° Elbow	0103128400	400,00	One End Socketed
0.006.032.017	Ø500,00 mm U-PVC CO ₂ 90° Elbow	0103128500	500,00	One End Socketed
0.006.032.018	Ø630,00 mm U-PVC CO ₂ 90° Elbow	0103128630	630,00	One End Socketed

U-PVC TE



Stock Code	Product Description	Product Model	Diameter (mm)	Connection Type
0.006.033.361	Ø110,00 mm U-PVC CO ₂ Te	0103248110	110,00 x 110,00	Three Ends Socketed
0.006.033.363	Ø125,00 mm U-PVC CO ₂ Te	0103248125	125,00 x 125,00	Three Ends Socketed
0.006.033.367	Ø160,00 mm U-PVC CO ₂ Te	0103248160	160,00 x 160,00	Three Ends Socketed
0.006.033.370	Ø200,00 mm U-PVC CO ₂ Te	0103248200	200,00 x 200,00	Three Ends Socketed
0.006.033.375	Ø250,00 mm U-PVC CO ₂ Te	0103248250	250,00 x 250,00	Three Ends Socketed
0.006.033.380	Ø315,00 mm U-PVC CO ₂ Te	0103248315	315,00 x 315,00	Three Ends Socketed
0.006.033.386	Ø400,00 mm U-PVC CO ₂ Te	0103248400	400,00 x 400,00	Three Ends Socketed
0.006.033.393	Ø500,00 mm U-PVC CO ₂ Te	0103248500	500,00 x 500,00	Three Ends Socketed
0.006.033.395	Ø630,00 mm U-PVC CO ₂ Te	0103248630	630,00 x 630,00	Three Ends Socketed

U-PVC REDUCER



Stock Code	Product Description	Product Model	Diameter (mm)	Connection Type
0.006.031.168	Ø110,00 mm x Ø160,00 mm U-PVC CO ₂ Eccentric Reducer	103603159	110,00 x 160,00	One End Socketed
0.006.031.169	Ø125,00 mm x Ø160,00 mm U-PVC CO ₂ Eccentric Reducer	103603160	125,00 x 160,00	One End Socketed
0.006.031.170	Ø125,00 mm x Ø200,00 mm U-PVC CO ₂ Eccentric Reducer	103603199	125,00 x 200,00	One End Socketed
0.006.031.171	Ø160,00 mm x Ø200,00 mm U-PVC CO ₂ Eccentric Reducer	103603200	160,00 x 200,00	One End Socketed
0.006.031.172	Ø125,00 mm x Ø250,00 mm U-PVC CO ₂ Eccentric Reducer	103603248	125,00 x 250,00	One End Socketed
0.006.031.173	Ø160,00 mm x Ø250,00 mm U-PVC CO ₂ Eccentric Reducer	103603249	160,00 x 250,00	One End Socketed
0.006.031.174	Ø200,00 mm x Ø250,00 mm U-PVC CO ₂ Eccentric Reducer	103603250	200,00 x 250,00	One End Socketed
0.006.031.175	Ø160,00 mm x Ø315,00 mm U-PVC CO ₂ Eccentric Reducer	103603313	160,00 x 315,00	One End Socketed
0.006.031.176	Ø200,00 mm x Ø315,00 mm U-PVC CO ₂ Eccentric Reducer	103603314	200,00 x 315,00	One End Socketed
0.006.031.177	Ø250,00 mm x Ø315,00 mm U-PVC CO ₂ Eccentric Reducer	103603315	250,00 x 315,00	One End Socketed
0.006.031.178	Ø250,00 mm x Ø400,00 mm U-PVC CO ₂ Eccentric Reducer	103603399	250,00 x 400,00	One End Socketed
0.006.031.179	Ø315,00 mm x Ø400,00 mm U-PVC CO ₂ Eccentric Reducer	103603400	315,00 x 400,00	One End Socketed
0.006.031.181	Ø500,00 mm x Ø630,00 mm U-PVC CO ₂ Eccentric Reducer	103603630	500,00 x 630,00	One End Socketed

U-PVC REDUCING TE



Stock Code	Product Description	Product Model	Diameter (mm)	Connection Type
0.006.033.362	Ø125,00 mm x Ø110,00 mm U-PVC CO ₂ Reducing Te	0103248124	125,00 x 110,00	Three Ends Socketed
0.006.033.364	Ø160,00 mm x Ø110,00 mm U-PVC CO ₂ Reducing Te	0103248158	160,00 x 110,00	Three Ends Socketed
0.006.033.365	Ø160,00 mm x Ø125,00 mm U-PVC CO ₂ ReducingTe	0103248159	160,00 x 125,00	Three Ends Socketed
0.006.033.369	Ø200,00 mm x Ø160,00 mm U-PVC CO ₂ ReducingTe	0103248199	200,00 x 160,00	Three Ends Socketed
0.006.033.371	Ø200,00 mm x Ø125,00 mm U-PVC CO ₂ Reducing Te	0103248198	200,00 x 125,00	Three Ends Socketed
0.006.033.372	Ø250,00 mm x Ø125,00 mm U-PVC CO ₂ Reducing Te	0103248247	250,00 x 125,00	Three Ends Socketed
0.006.033.373	Ø250,00 mm x Ø160,00 mm U-PVC CO ₂ Reducing Te	0103248248	250,00 x 160,00	Three Ends Socketed
0.006.033.374	Ø250,00 mm x Ø200,00 mm U-PVC CO ₂ Reducing Te	0103248249	250,00 x 200,00	Three Ends Socketed
0.006.033.376	Ø315,00 mm x Ø125,00 mm U-PVC CO ₂ Reducing Te	0103248311	315,00 x 125,00	Three Ends Socketed
0.006.033.377	Ø315,00 mm x Ø160,00 mm U-PVC CO ₂ Reducing Te	0103248312	315,00 x 160,00	Three Ends Socketed
0.006.033.379	Ø315,00 mm x Ø250,00 mm U-PVC CO ₂ Reducing Te	0103248314	315,00 x 250,00	Three Ends Socketed
0.006.033.381	Ø400,00 mm x Ø125,00 mm U-PVC CO ₂ Reducing Te	0103248395	400,00 x 125,00	Three Ends Socketed
0.006.033.382	Ø400,00 mm x Ø160,00 mm U-PVC CO ₂ ReducingTe	0103248396	400,00 x 160,00	Three Ends Socketed
0.006.033.384	Ø400,00 mm x Ø250,00 mm U-PVC CO ₂ ReducingTe	0103248398	400,00 x 250,00	Three Ends Socketed
0.006.033.385	Ø400,00 mm x Ø315,00 mm U-PVC CO ₂ ReducingTe	0103248399	400,00 x 315,00	Three Ends Socketed
0.006.033.387	Ø500,00 mm x Ø125,00 mm U-PVC CO ₂ Reducing Te	0103248494	500,00 x 125,00	Three Ends Socketed
0.006.033.388	Ø500,00 mm x Ø160,00 mm U-PVC CO ₂ ReducingTe	0103248495	500,00 x 160,00	Three Ends Socketed
0.006.033.390	Ø500,00 mm x Ø250,00 mm U-PVC CO ₂ ReducingTe	0103248497	500,00 x 250,00	Three Ends Socketed
0.006.033.391	Ø500,00 mm x Ø315,00 mm U-PVC CO ₂ ReducingTe	0103248498	500,00 x 315,00	Three Ends Socketed
0.006.033.392	Ø500,00 mm x Ø400,00 mm U-PVC CO ₂ ReducingTe	0103248499	500,00 x 400,00	Three Ends Socketed

OTHER CO2 SYSTEM COMPONENTS



Stock Code	Product Description	Product Model	Diameter
0.006.035.089	32,00 mm / 40,00 mm x 1" Adapter Nipple	501315085	32,00 mm / 40,00 mm x 1"
0.007.055.053	Perforated CO2 Distribution Bag Connection Adapter	508198032	32,00 mm
0.007.057.008	Perforated CO2 Distribution Bag	117621040	65,00 mm / Ø 40,00

TWO-WAY VALVE ACTUATOR



Stock Code	Product Description	Diameter	Power Supply	Control Type	Operating Temp Range (°C)
0.018.102.017	DN40 Two-Way Valve Actuator	DN40	220 V - Single Phase	On/Off	-20 / +70
0.018.102.018	DN50 Two-Way Valve Actuator	DN50	220 V - Single Phase	On/Off	-20 / +70
0.018.102.019	DN65 Two-Way Valve Actuator	DN65	220 V - Single Phase	On/Off	-20 / +70
0.018.102.020	DN80 Two-Way Valve Actuator	DN80	220 V - Single Phase	On/Off	-20 / +70
0.018.102.022	DN125 Two-Way Valve Actuator	DN125	220 V - Single Phase	On/Off	-20 / +70
0.018.102.023	DN150 Two-Way Valve Actuator	DN150	220 V - Single Phase	On/Off	-20 / +70
0.018.102.024	DN200 Two-Way Valve Actuator	DN200	220 V - Single Phase	On/Off	-20 / +70
0.018.102.025	DN250 Two-Way Valve Actuator	DN250	220 V - Single Phase	On/Off	-20 / +70
0.018.102.026	DN300 Two-Way Valve Actuator	DN300	220 V - Single Phase	On/Off	-20 / +70

TWO-WAY BUTTERFLY VALVE



Stock Code	Product Description	Pressure Class (Bar)	Operating Temperature Range (°C)	Casing Material	Connection Type	Seal Material	Weight (kg)
0.018.102.001	DN40 Butterfly Valve	16,00	-10 / +110	Ductile Iron	Wafer Type	EPDM	2,50
0.018.102.002	DN50 Butterfly Valve	16,00	-10 / +110	Ductile Iron	Wafer Type	EPDM	3,00
0.018.102.003	DN65 Butterfly Valve	16,00	-10 / +110	Ductile Iron	Wafer Type	EPDM	3,50
0.018.102.004	DN80 Butterfly Valve	16,00	-10 / +110	Ductile Iron	Wafer Type	EPDM	4,00
0.018.102.005	DN100 Butterfly Valve	16,00	-10 / +110	Ductile Iron	Wafer Type	EPDM	6,00
0.018.102.006	DN125 Butterfly Valve	16,00	-10 / +110	Ductile Iron	Wafer Type	EPDM	7,00
0.018.102.007	DN150 Butterfly Valve	16,00	-10 / +110	Ductile Iron	Wafer Type	EPDM	9,00
0.018.102.008	DN200 Butterfly Valve	16,00	-10 / +110	Ductile Iron	Wafer Type	EPDM	15,00
0.018.102.009	DN250 Butterfly Valve	16,00	-10 / +110	Ductile Iron	Wafer Type	EPDM	23,00
0.018.102.012	DN300 Butterfly Valve	16,00	-10 / +110	Ductile Iron	Wafer Type	EPDM	27,00

3-WAY VALVE BODY



Stock Code	Product Description	Product Model	Kvs Value (m ³ /h)	Max. ΔP (kPa)	For Max ΔP Torque (Nm)	Weight (kg)
0.018.103.005	DN50 Three Way Valve Body	DR50GFLA	40,00	100,00	20,00	9,80
0.018.103.006	DN65 Three Way Valve Body	DR65GFLA	63,00	100,00	20,00	12,30
0.018.103.007	DN80 Three Way Valve Body	DR80GFLA	100,00	100,00	30,00	21,40
0.018.103.008	DN100 Three Way Valve Body	D100GFLA	160,00	100,00	40,00	26,50
0.018.103.009	DN125 Three Way Valve Body	D125GFLA	250,00	70,00	40,00	42,00
0.018.103.010	DN150 Three Way Valve Body	D150GFLA	630,00	50,00	40,00	49,00
0.018.103.011	DN200 Three Way Valve Body	D200GFLA	1.600,00	50,00	40,00	78,00

3-WAY VALVE ACTUATOR



Stock Code	Product Description	Product Model	Valve Diameter	Torque (Nm)	Voltage (V)
0.018.103.017	Three Way Valve Motor	M6061L1027	DN50 / DN65	20,00	230-240
0.018.103.018	Three Way Valve Motor	M6061L1035	DN80 / DN100 / DN125	30,00	230-240
0.018.103.019	Three Way Valve Motor	M6061L1043	DN150 / DN200	40,00	230-240

BUTTERFLY VALVE



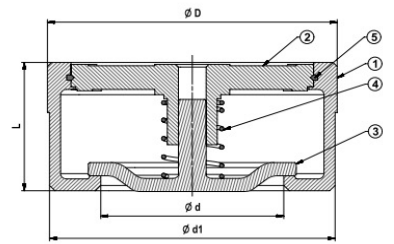
Stock Code	Product Description	Pressure Class (Bar)	Operating Temp. Class (°C)	Casing Material	Connection Type	Seal Material	Weight (kg)
0.018.102.001	DN40 Butterfly Valve	16,00	-10 / +110	Ductile Iron	Lug Tip	EPDM	2,50
0.018.102.002	DN50 Butterfly Valve	16,00	-10 / +110	Ductile Iron	Lug Tip	EPDM	3,00
0.018.102.003	DN65 Butterfly Valve	16,00	-10 / +110	Ductile Iron	Lug Tip	EPDM	3,50
0.018.102.004	DN80 Butterfly Valve	16,00	-10 / +110	Ductile Iron	Lug Tip	EPDM	4,00
0.018.102.005	DN100 Butterfly Valve	16,00	-10 / +110	Ductile Iron	Lug Tip	EPDM	6,00
0.018.102.006	DN125 Butterfly Valve	16,00	-10 / +110	Ductile Iron	Lug Tip	EPDM	7,00
0.018.102.007	DN150 Butterfly Valve	16,00	-10 / +110	Ductile Iron	Lug Tip	EPDM	9,00
0.018.102.008	DN200 Butterfly Valve	16,00	-10 / +110	Ductile Iron	Lug Tip	EPDM	15,00
0.018.102.009	DN250 Butterfly Valve	16,00	-10 / +110	Ductile Iron	Lug Tip	EPDM	23,00
0.018.102.012	DN300 Butterfly Valve	16,00	-10 / +110	Ductile Iron	Lug Tip	EPDM	27,00

DEBRIS STRAINER



Stock Code	Product Description	Pressure Class (Bar)	Operating Temp. Class (°C)	Connection Type	Casing Material	Filter Material	Weight (kg)
0.018.110.003	DN25 Y Type Debris Strainer	16,00	-10 / +120	Threaded	Brass	Stainless Steel	4,00
0.018.110.004	DN32 Y Type Debris Strainer	16,00	-10 / +120	Threaded	Brass	Stainless Steel	6,50
0.018.110.005	DN40 Y Type Debris Strainer	16,00	-10 / +120	Threaded	Brass	Stainless Steel	7,50
0.018.110.006	DN50 Y Type Debris Strainer	16,00	-10 / +120	Threaded	Brass	Stainless Steel	10,50
0.018.110.007	DN65 Y Type Debris Strainer	16,00	-10 / +120	Flanged	Cast Iron	Stainless Steel	16,00
0.018.110.008	DN80 Y Type Debris Strainer	16,00	-10 / +120	Flanged	Cast Iron	Stainless Steel	21,50
0.018.110.009	DN100 Y Type Debris Strainer	16,00	-10 / +120	Flanged	Cast Iron	Stainless Steel	28,50
0.018.110.010	DN125 Y Type Debris Strainer	16,00	-10 / +120	Flanged	Cast Iron	Stainless Steel	39,00
0.018.110.011	DN150 Y Type Debris Strainer	16,00	-10 / +120	Flanged	Cast Iron	Stainless Steel	52,50
0.018.110.012	DN200 Y Type Debris Strainer	16,00	-10 / +120	Flanged	Cast Iron	Stainless Steel	89,50
0.018.110.013	DN250 Y Type Debris Strainer	16,00	-10 / +120	Flanged	Cast Iron	Stainless Steel	149,00
0.018.110.014	DN300 Y Type Debris Strainer	16,00	-10 / +120	Flanged	Cast Iron	Stainless Steel	240,00

CHECK VALVES



Stock Code	Product Description	Pressure Class (Bar)	Casing Material	ØD (mm)	Ød (mm)	L (mm)	Weight (kg)
0.018.111.001	DN40 Disc Check Valve	16,00	Ductile Iron	82,00	39,00	31,50	0,62
0.018.111.002	DN50 Disc Check Valve	16,00	Ductile Iron	95,00	48,00	40,00	0,98
0.018.111.003	DN65 Disc Check Valve	16,00	Ductile Iron	115,00	64,00	46,00	1,36
0.018.111.004	DN80 Disc Check Valve	16,00	Ductile Iron	132,00	74,00	50,00	2,08
0.018.111.005	DN100 Disc Check Valve	16,00	Ductile Iron	152,00	89,00	60,00	3,03
0.018.111.006	DN125 Disc Check Valve	16,00	Ductile Iron	181,00	112,00	90,00	6,80
0.018.111.007	DN150 Disc Check Valve	16,00	Ductile Iron	206,00	132,00	106,00	10,00
0.018.111.008	DN200 Disc Check Valve	16,00	Ductile Iron	260,00	175,00	140,00	20,00
0.018.111.009	DN250 Dual Plate Check Valve	16,00	Ductile Iron	328,00	265,00	114,00	24,40
0.018.111.012	DN300 Dual Plate Check Valve	16,00	Ductile Iron	378,00	310,00	114,00	33,00

AUTOMATIC AIR VENTS



Stock Code	Product Description	Pressure Class (Bar)	Operating Temp Range (°C)	Casing Material	Float Material	Weight (kg)
0.018.112.008	1/4" Automatic Air Vent	10,00	-10 / +120	Brass	Ebonite	0,18

TERMOMETRE



Stock Code	Product Description	Diameter (mm)	Connection Type	Connection Diameter	Measuring Range (°C)	Immersion Length (mm)	Weight (kg)
0.018.131.001	Termometer	Ø100,00	Bottom Outlet	1/2"	0 / +120	100,00	0,38
0.018.137.003	Termometer	Ø100,00	Rear Outlet	1/2"	0 / +120	100,00	0,38
0.018.137.006	Termometer	Ø63,00	Bottom Outlet	1/2"	0 / +120	100,00	0,32
0.018.137.005	Termometer	Ø63,00	Rear Outlet	1/2"	0 °C / +120 °C	100,00 mm	0,32 kg

MANOMETERS



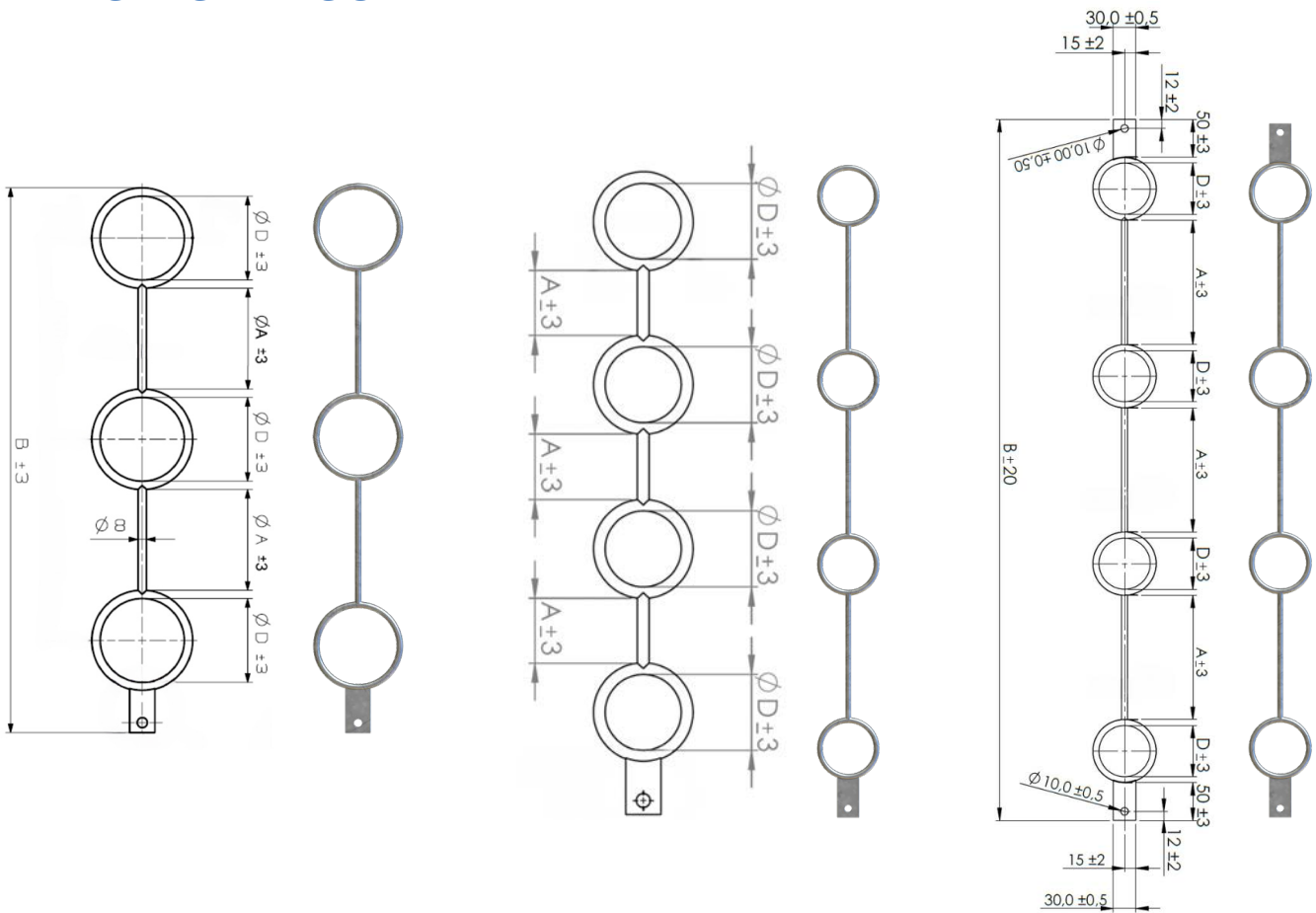
Stock Code	Product Description	Diameter (mm)	Connection Type	Connection Diameter	Measuring Range (Bar)	Weight (kg)
0.018.131.003	Glycerin-Filled Pressure Gauge	Ø63,00	Rear Outlet	1/4"	0-16	0,23
0.018.131.004	Glycerin-Filled Pressure Gauge	Ø63,00	Bottom Outlet	1/4"	0-16	0,23
0.018.131.006	Glycerin-Filled Pressure Gauge	Ø100,00	Bottom Outlet	1/2"	0-16	0,28
0.018.131.027	Glycerin-Filled Pressure Gauge	Ø100,00	Rear Outlet	1/2"	0-16	0,28

SAFETY VALVE



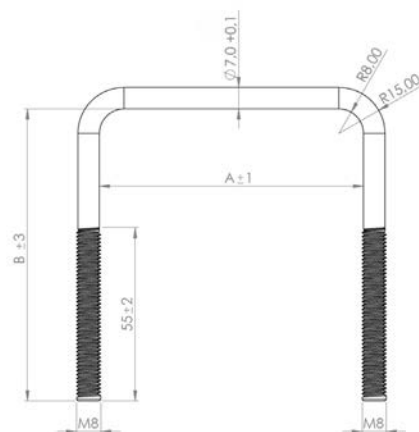
Stock Code	Product Description	Pressure Class (Bar)	Operating Temp. Range (°C)	Casing Material	Weight (kg)
0.018.106.001	DN25 Proportional Lift Safety Valve	16,00	-10 / +120	Cast Iron	9,80
0.018.106.002	DN32 Proportional Lift Safety Valve	16,00	-10 / +120	Cast Iron	11,70
0.018.106.003	DN40 Proportional Lift Safety Valve	16,00	-10 / +120	Cast Iron	13,80
0.018.106.004	DN50 Proportional Lift Safety Valve	16,00	-10 / +120	Cast Iron	17,00
0.018.106.005	DN65 Proportional Lift Safety Valve	16,00	-10 / +120	Cast Iron	26,50
0.018.106.006	DN80 Proportional Lift Safety Valve	16,00	-10 / +120	Cast Iron	30,00
0.018.106.007	DN100 Proportional Lift Safety Valve	16,00	-10 / +120	Cast Iron	48,00

HANGING RINGS



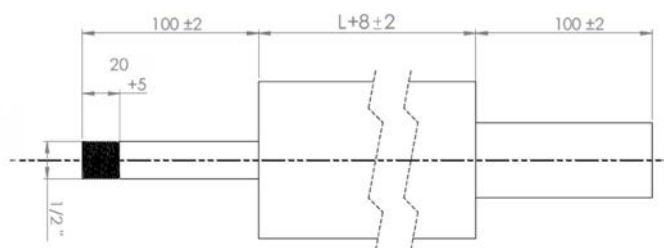
Stock Code	Product Description	ØD (mm)	A (mm)	B (mm)	Shaft Thickness (mm)	Weight (kg)
1.021.148.009	Triple Pipe Clamp for Ø51.0 mm Pipe	65,00	169,00	631,00	8,00	0,34
1.021.148.003	Triple Pipe Clamp for Ø65.0 mm Pipe	85,00	149,00	651,00	8,00	0,45
1.021.148.004	Triple Pipe Clamp for Ø80.0 mm Pipe	100,00	134,00	666,00	8,00	0,51
1.021.148.006	Triple Pipe Clamp for Ø125.0 mm Pipe	164,00	70,00	730,00	8,00	0,90
1.021.148.014	Quadruple Pipe Clamp for Ø51.0 mm Pipe	65,00	169,00	865,00	8,00	0,55
1.021.148.018	Double-Sided Quadruple Pipe Clamp for Ø51.0 mm Pipe	65,00	169,00	915,00	8,00	0,60

U BOLTS



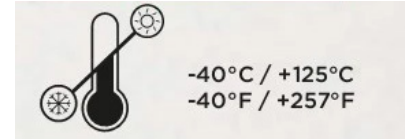
Stock Code	Product Description	A (mm)	B (mm)	Weight (gr)
1.001.005.001	U-Bolt for 80.00 mm x 80.00 mm Profiles	85,00	92,00	82,00
1.001.005.002	U-Bolt for 80.00 mm x 100.00 mm Profiles	85,00	112,00	94,00
1.001.005.003	U-Bolt for 80.00 mm x 120.00 mm Profiles	85,00	132,00	106,00
1.001.005.004	U-Bolt for 80.00 mm x 140.00 mm Profiles	85,00	152,00	118,00
1.001.005.025	U-Bolt for 90.00 mm x 90.00 mm Profiles	95,00	102,00	98,00
1.001.005.005	U-Bolt for 100.00 mm x 80.00 mm Profiles	105,00	92,00	88,00
1.001.005.009	U-Bolt for 120.00 mm x 80.00 mm Profiles	125,00	92,00	94,00
1.001.005.013	U-Bolt for 140.00 mm x 80.00 mm Profiles	145,00	92,00	100,00

AIR CYLINDERS



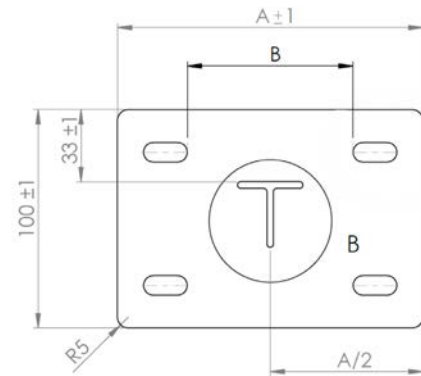
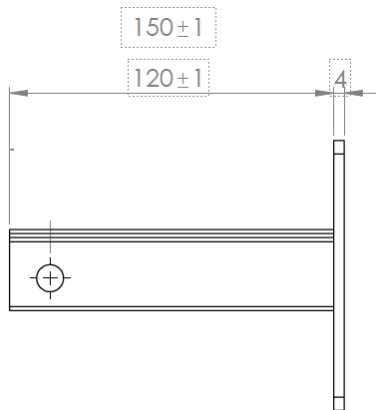
Stock Code	Product Description	Outlet Diameter	Casing Diameter	L (mm)	Thickness (mm)	Weight (kg)
1.018.136.001	1.5 Litre Air Cylinder	DN32	DN80	300,00	4,00	2,94
1.018.136.002	2.5 Litre Air Cylinder	DN32	DN100	300,00	4,00	4,09
1.018.136.003	5.0 Litre Air Cylinder	DN32	DN125	300,00	4,00	5,41

RUBBER HOSES



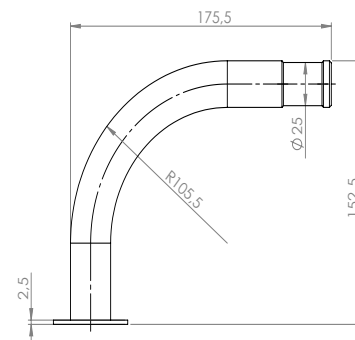
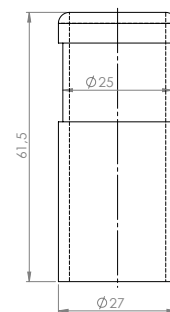
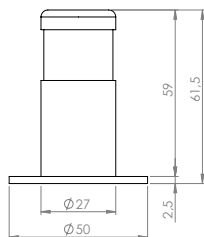
Stock Code	Product Description	Inner Diameter (mm)	Outer Diameter (mm)	Length (m)	Weight (gr/m)
0.007.055.001	DN25 PN5 Rubber Hot Water Hose	25,40	33,70	43,00	535,00

T-SUPPORTS



Stock Code	Product Description	A (mm)	B (mm)	Sheet Thickness (mm)	Weight (gr)
1.021.149.001	T-Bracket for 80 mm Profiles - 12 cm	140,00	76,00	4,00	577,40
1.021.149.003	T-Bracket for 120 mm Profiles	180,00	116,00	4,00	703,30
1.021.149.004	T-Bracket for 140 mm Profiles - 12 cm	200,00	136,00	4,00	775,00
1.021.149.005	T-Bracket for 80 mm Profiles - 15 cm	140,00	76,00	4,00	577,40
1.021.149.036	T-Bracket for 140 mm Profiles - 15 cm	220,00	156,00	4,00	860,84

HOSE CONNECTOR



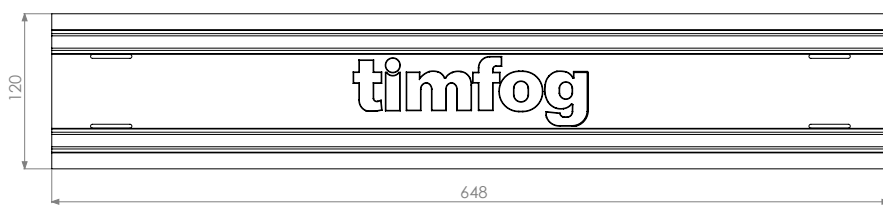
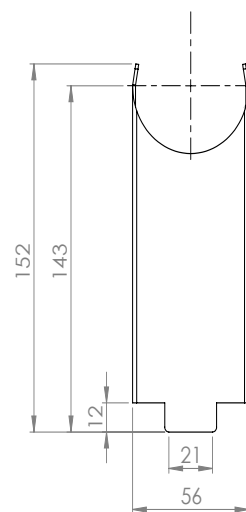
Stock Code	Product Description	Length (mm)	Connection Type	Thickness (mm)	Weight (gr)
1.021.146.019	Ø27,0 mm Washerless Hose Connector	60,00	Screw	2,50	91,40
1.021.146.020	Ø50,0 mm Washered Ø27,0 mm Hose Connector	61,50	Welded	2,50	112,00
1.021.146.021	Ø27,0 mm Washerless 90° Inclined Hose Connector	50,00	Welded	2,50	385,30
1.021.146.022	Ø27,0 mm Washerless Hose Connector	61,50	Welded	2,50	95,00
1.021.146.033	Ø27,0 mm Washered 90° Inclined Hose Connector	38,00	Welded	2,50	-
1.021.146.039	Ø27,0 mm Washered Hose Connector	61,50	Welded	2,50	90,27

HOSE CLAMP



Stock Code	Product Description	Bandwidth (mm) (W1)	Thickness (mm)	Size (mm)	Screw	Weight (gr)	Free Torque (N.m)	Load Torque (N.m)
0.006.036.040	32-39 mm X M6 Hose Clamp	20,00	0,8	36-39	M6	0,7	≤1	≥15

PIPE RAIL SUPPORT



Stock Code	Product Description	Dimensions (mm)	Casing Material	Thickness (mm)	Weight (gr)
1.021.151.004	1,40 mm x 186,80 mm Support	56,00 x 56,00 x 152,00	Galvanized	1,40	295,90
1.021.151.005	1,40 mm x 137,80 mm Base	120,00 x 648,00 x 7,00	Galvanized	1,40	939,20

v

U-COMPONENTS



Stock Code	Product Description	Width (mm)	Pipe Diameter (mm)	Length (mm)	Thickness (mm)	Weight (kg)
1.021.150.026	Ø51.00 mm U-Component	603,00	Ø51,00	218,00	2,50	2,51
1.021.150.028	U-Bracket for Gutter Under-Heating	250,00	Ø51,00	218,00	2,50	1,74

With Timfog-manufactured heating equipment, your greenhouse climate is under control.

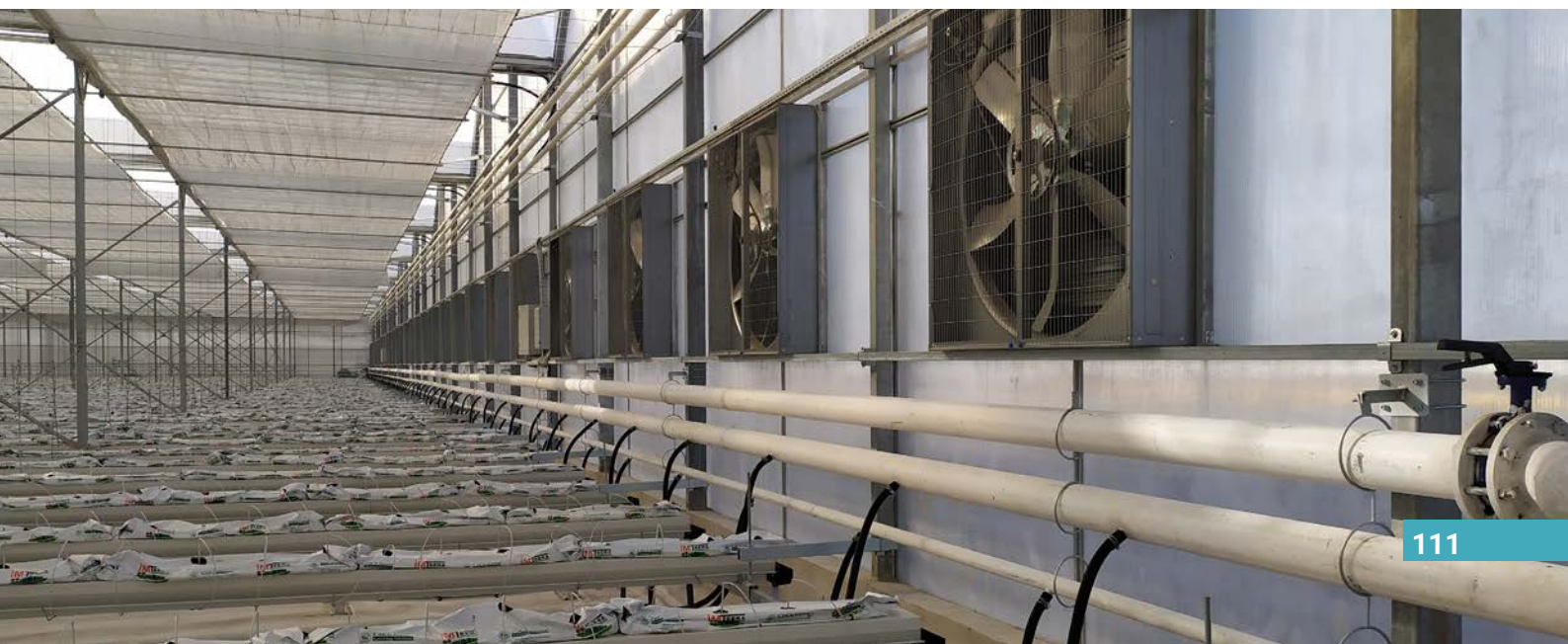
timfog





Ventilation Systems

Fan-pad systems and high-pressure fogging systems operate on the same principle: evaporative cooling and humidification. The heat required for the evaporation of water is drawn from the sensible heat of the air, consequently lowering the dry-bulb temperature of the air and providing cooling.



VENTILATION SYSTEMS

Fan-pad systems operate by drawing air through a wet pad. The pad is made of a special cellulose material coated with a water-absorbent substance. As air enters the greenhouse, it passes through the pad, which cools and humidifies it. The system works on the principle of evaporative cooling. When water evaporates from the wetted pad, it absorbs heat from the air, thus lowering the air temperature. The cooled and humidified air then circulates within the greenhouse, creating an ideal environment for plant growth.



The advantage of using exhaust fans in this system is that it creates a more homogeneous airflow throughout the greenhouse. Because the outside air is drawn through the wetted pad before entering the greenhouse, greater control is achieved over the humidity and temperature levels inside. Furthermore, the use of exhaust fans can reduce the need for additional ventilation fans, making this system quite energy-efficient.

Fan-pad systems provide a controlled environment that supports healthy plant growth and enhances crop quality. They are energy-efficient, cost-effective, and environmentally friendly.

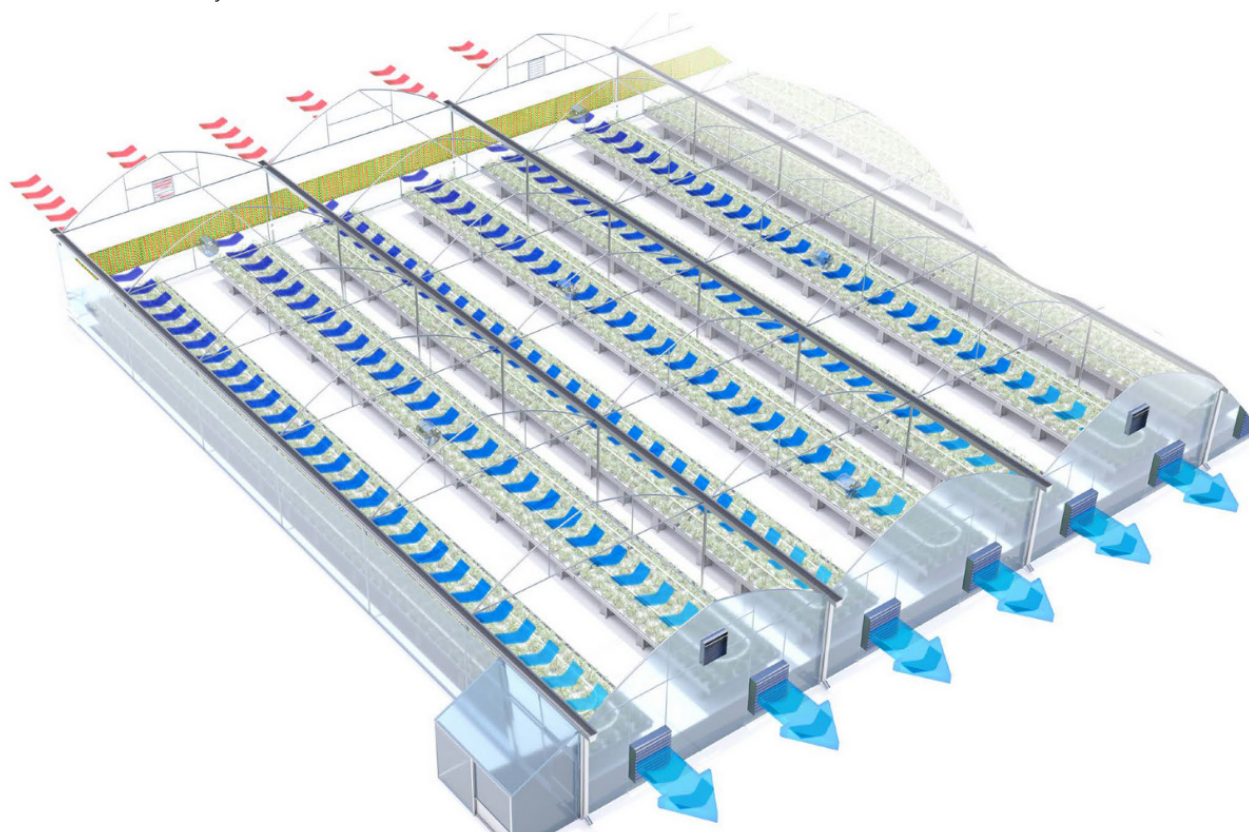
- **Contributes to Plant Growth:** Fan-Pad Systems create an ideal environment for plant growth by regulating temperature and humidity levels. This increases product quality and yield.
- **Energy Efficiency:** Unlike traditional air conditioning systems, Fan-Pad Systems provide significantly low energy consumption as they rely solely on evaporative cooling.
- **Easy Maintenance:** These systems require minimal maintenance and are easy to install. Additionally, their long lifespan makes them a cost-effective investment for greenhouse growers.
- **Environmentally Friendly:** Fan-Pad Systems utilize evaporative cooling, which is a sustainable and environmentally friendly alternative to traditional air conditioning systems.

How it Works?

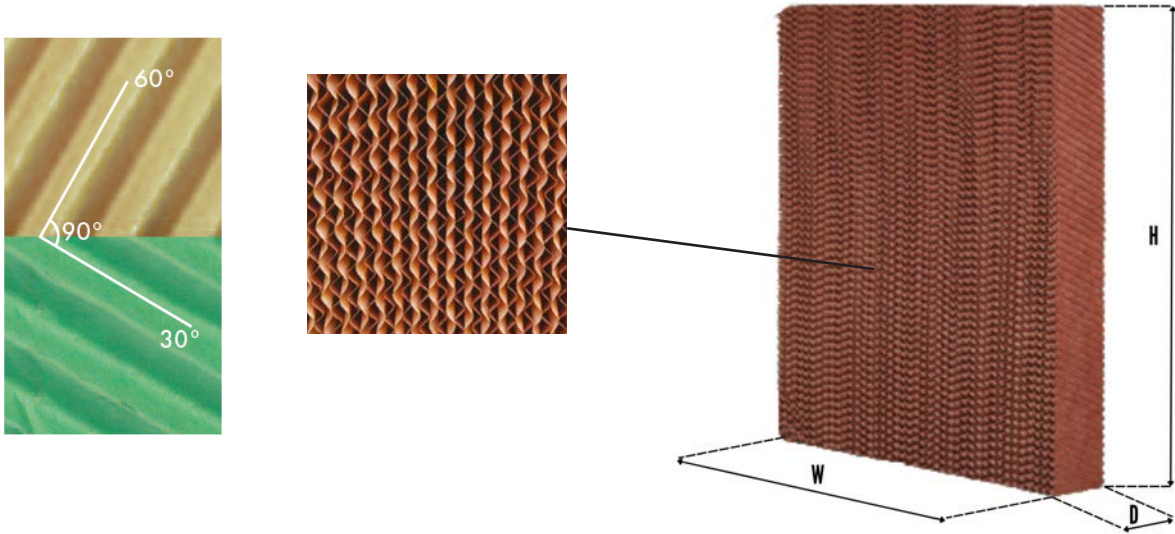
Exhaust fans are placed at one end of the greenhouse, and the pad system is located at the opposite end. When the fans operate, they create a negative pressure inside the greenhouse, forcing the outside air to pass through the wetted pad before entering. This process cools and humidifies the incoming air.

Fan-Pad System Components

- **Cooling Pads:** The pads are made of specially designed cellulose material and are coated with a water-absorbent substance.
- **Exhaust Fans:** These 1400 x 1400 mm fans are made of corrosion-resistant material and feature a special blade design that provides high airflow capacity.
- **Pumps:** Supplies water to the pad system and regulates the water flow.
- **Dripper System:** The system features a drip system that ensures even wetting of the pad.
- **Automation System:** The system can be automated, meaning it can be programmed to adjust temperature and humidity levels according to the time of day or the plant growth stage.
- **Filter System:** The system includes a filter system that prevents dirt and debris buildup.
- **Water Tank(Optional):** The system requires a continuous water supply to maintain the pad's wetness. This need can be met by water tanks.



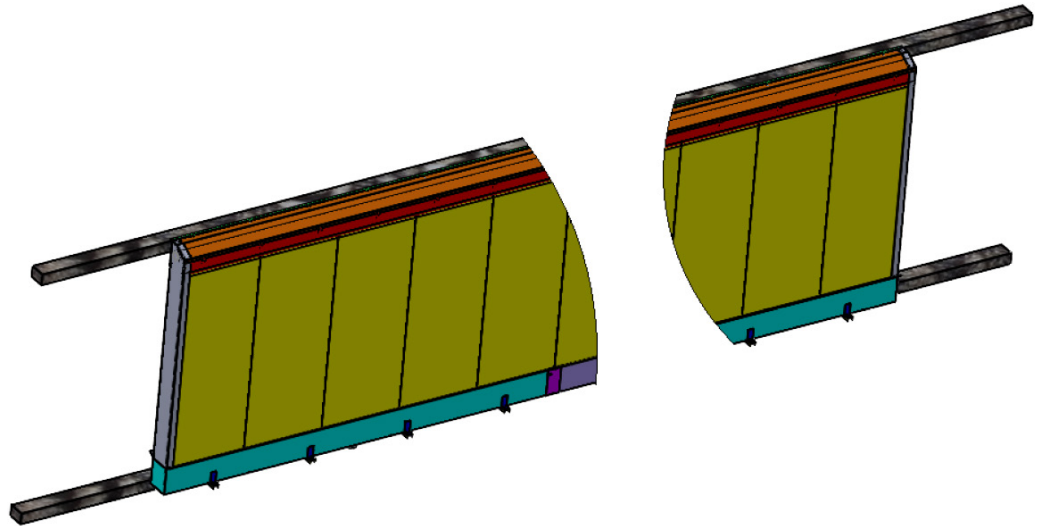
COOLER PADS



Stock Code	Product Description	H (mm)	W (mm)	D (mm)
0.014.090.038	70/90 Evaporative Cooling Pad	1500,00	600,00	150,00
4.014.091.001	70/90 Evaporative Cooling Pad	1800,00	600,00	150,00
0.014.090.025	70/90 Evaporative Cooling Pad	2000,00	600,00	150,00
0.014.091.009	70/90 Cooling Pad	30,00	600,00	150,00

Not: For more information about 70/60°, 70/120°, and other pad sizes, please contact our sales team.

COOLER PAD FRAMES



Stock Code	Product Description	Dimensions
3.014.092.XXX	PVC Fan-Pad Frame System	Custom
3.014.092.YYY	Galvanized Fan-Pad Frame System	Custom
3.014.092.ZZZ	Stainless Steel Fan-Pad Frame System	Custom

PE PIPES (MAIN LINE PIPES)



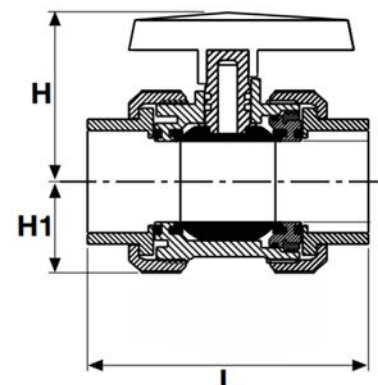
Stock Code	Product Description	Pressure Class	Thickness (mm)	Weight
0.014.092.001	Ø50 mm U-PVC Main Line Pipe	PN 6	1,60	0,37 kg/m
0.014.092.003	Ø50 mm U-PVC Sleeve	PN 16	3,00	0,06 kg

PERFORATED U-PVC PIPES (DRIPPER LINES)



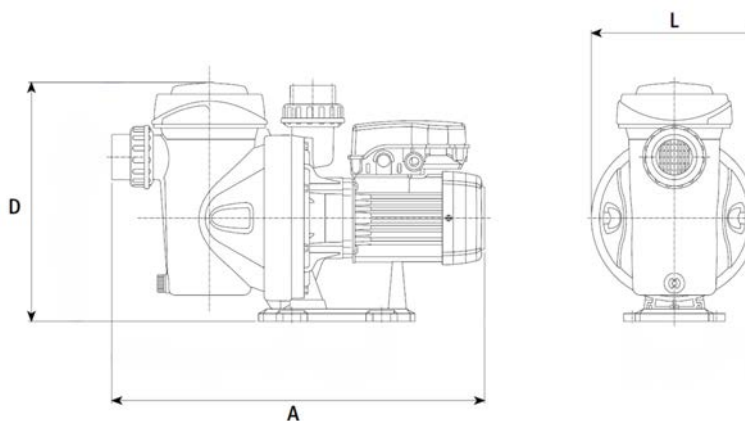
Stock Code	Product Description	Pressure Class	Thickness (mm)	Weight (kg/m)
1.014.092.117	Ø63.00 mm Perforated U-PVC Distribution Pipe	PN 6	2,00	0,57

SOCKET END U-PVC BALL VALVES



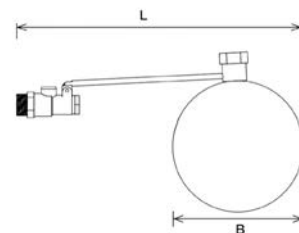
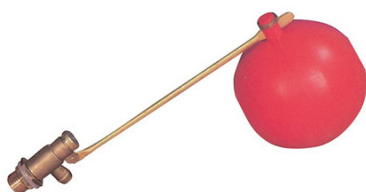
Stock Code	Product Description	Pressure Class	L (mm)	H1 (mm)	H (mm)	Weight (kg)
0.018.105.003	Ø63 mm Socket End U-PVC Ball Valve	PN 16	172,00	58,00	101,00	1,13

CIRCULATION PUMPS



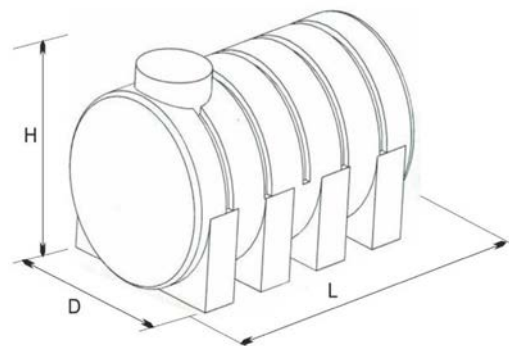
Stock Code	Product Description	Pump Flow Rate (m³/h)	D (mm)	A (mm)	L (mm)	Weight (kg)
4.014.092.003	0,25 kW Self-Priming Centrifugal Pump with Built-in Filter	9,00	304,00	438,50	212,00	8,90
4.014.092.001	0,37 kW Self-Priming Centrifugal Pump with Built-in Filter	11,00	304,00	438,50	212,00	10,20
4.014.092.002	0,75 kW Self-Priming Centrifugal Pump with Built-in Filter	13,00	304,00	438,50	212,00	10,90

FLOAT VALVE (FOR WATER TANK SYSTEMS)



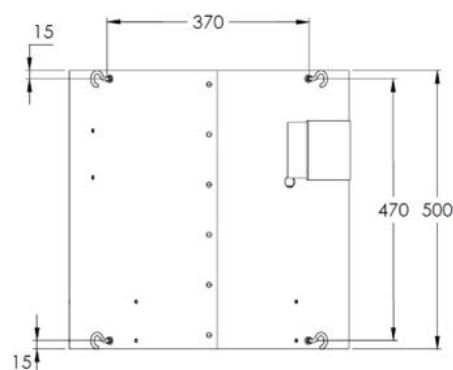
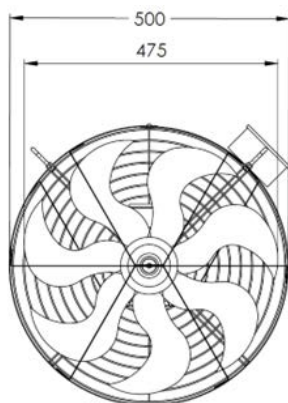
Stock Code	Product Description	L (mm)	B (mm)	Weight (kg)
0.014.092.072	DN 15 Brass Float Valve (with Plastic Ball)	283,00	120,00	0,23

WATER TANKS



Stock Code	Product Description	Top Cover Diameter (mm)	H (mm)	D (mm)	L (mm)
0.014.092.101	1.000,00 Lt. Horizontal Water Tank	400,00	1.120,00	1.020,00	1.300,00
0.014.092.102	2.000,00 Lt. Horizontal Water Tank	400,00	1.250,00	1.100,00	2.200,00
0.014.092.103	3.000,00 Lt. Horizontal Water Tank	400,00	1.550,00	1.400,00	1.950,00

GREENHOUSE CIRCULATION FANS



Stock Code	Product Description	Air FLOW (m³/h)	Power (kW)	RPM (d/dk)	Weight (kg)
2.010.065.014	GCF-50 Greenhouse Circulation Fans	7500,00	0,25	1425	18,00

Body Material Type	DX51D+Z300 MA C
Body Material Density	300 gr/m²
Body Material Certificates	EN 10204-3.1/ DIN 50049-3.1 – ISO404
Operating Temperature Range	-5 °C ile 55 °C
Vibration	≤15 mm/sn
No. of Blades on the Fan	7 Pcs
Propeller Speed	1425 rpm @ 50 Hz – 1720 rpm @ 60 Hz
Electric Motor Protection Class	IP55
Motor Insulation Class	F

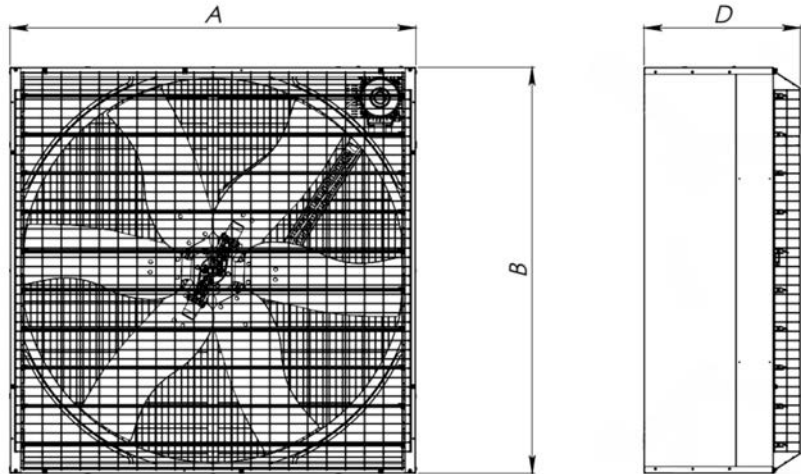


High-Efficiency and Low-Noise GCF Series Fans

GCF series fans provide a powerful airflow with their specially designed 7-blade impeller structure and wide scooping angle. Thanks to this feature, they have an average airflow of 7,000 m³/h and offer 37% more airflow compared to their closest competitors. They comply with European energy standards with their low energy class (IE-3) 0.25 kW electric motor. Additionally, the GCF-50 model is known for its low noise and vibration levels and is a popular choice in greenhouse applications in various countries due to its compact design.

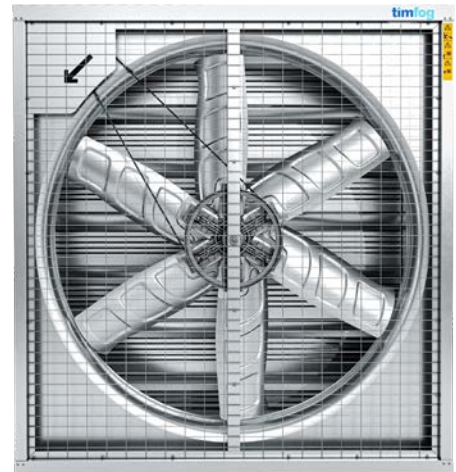


EXHAUST FANS



Stock Code	Product Description	Air Flow (m³/h)	Power (kW)	RPM (d/dk)	Weight (kg)
2.010.064.001	TEF-140 Greenhouse Exhaust Fans	46.220,00	1,10	1425	76,00 kg

Operating Temperature Range	-5 °C & 50 °C
Number of Shutters	8 units
Maximum Operating Pressure	50,0 Pa
Impeller Diameter	950,0 mm
No. of Blades on the Fan	6 units
Fan Speed	1500 rpm
IP Rating of Electric Motor	IP55
Motor Insulation Class	F

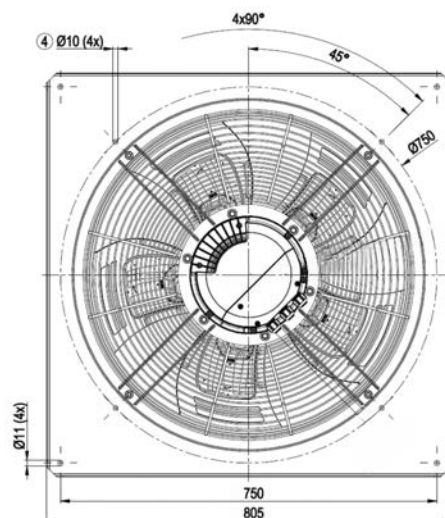
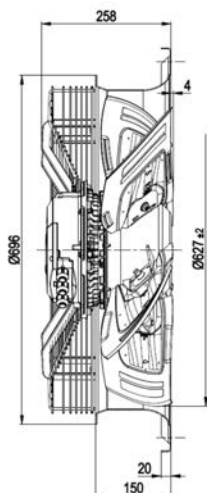


High-Performance Exhaust Fan Designed for Energy Efficiency

The TEF-140 is a high-performance greenhouse exhaust fan designed for optimal energy efficiency and durability. Thanks to its galvanized steel body and aerodynamically optimized impeller, it provides extra high airflow capacity and consistent air extraction. Having undergone aging tests to ensure reliable and long-lasting performance, the TEF-140 exhaust fan requires less maintenance compared to its competitors.



UNDER-GUTTER FANS



Stock Code	Product Description	Power (kW)	RPM (d/dk)	Operating Temp. Range (°C)	Weight (kg)
0.010.239.010	EC Axial Fan (including Housing)	3,00 kW	1450 d/dk	-40 ile +60	34,80 kg

UNDER-GUTTER AIR DUCTS AND EQUIPMENT



Stock Code	Product Description	Color	Material	Dimensions
4.115.223.002	Ø700 mm PE Air Distribution Duct	White	Polyethylene	L: 65,00 m
3.115.223.001	Equipment for PE Air Distribution Ducts	Various	Various	Various

PUMP 1 CONTROL

[PUMP 2 >](#)


- Pump
- Running
 - Fault
 - Test
 - Pump Status
 - Remote I/O Run

Temp.	0 °C	Humidity	0 %
Input Pressure	3.0 bar		0.00 bar
Test Count	3		3
Test Preset Pressure	0 bar		0 bar
Test Time	5 s		
Output Pressure	20.00 bar		0 bar
On/Off Time	50.0 min		50.0 min
Min/Max Hum.	0 %		0 %
Min/Max Temp.	-20 C		80 C
Drainage Time	2		

An. Input 1	0.00 mA
An. Input 2	0.00 mA
Frequency	0.00 Hz
Current	0.0 A

[START](#)
[STOP](#)
[MANUEL](#)
[AUTO](#)
[FAULT RESET](#)
[ON/OFF RUN](#)
[DIRECT RUN](#)
[DEPEND ON HUMIDITY](#)
[DEPEND RUN HUMIDITY](#)


High Pressure Fogging System

Timfog Fogging Systems utilize the principle of direct evaporative cooling for the effective cooling and humidification of ambient air, thereby making a significant contribution to optimal growth conditions.



HIGH PRESSURE FOGGING SYSTEM

The evaporative cooling system operates on a simple principle. The heat required for the evaporation of water is taken from the sensible heat of the air. As a result, the dry-bulb temperature of the air decreases, and cooling is achieved. During this process, the wet-bulb temperature of the air remains constant. Since this process occurs at constant enthalpy, it is called an adiabatic process.

- Reduces the need for irrigation in the greenhouse,
- Helps stabilize humidity levels inside the greenhouse,
- Increases yield in plant production,
- Helps the stomata of plants in the greenhouse to open,
- Is easy to install and maintain,
- Offers the possibility to control the greenhouse sector by sector,
- Has a modular structure and can be custom-produced (tailor-made).
- Its user-friendly interface allows you to comfortably use the automation system.

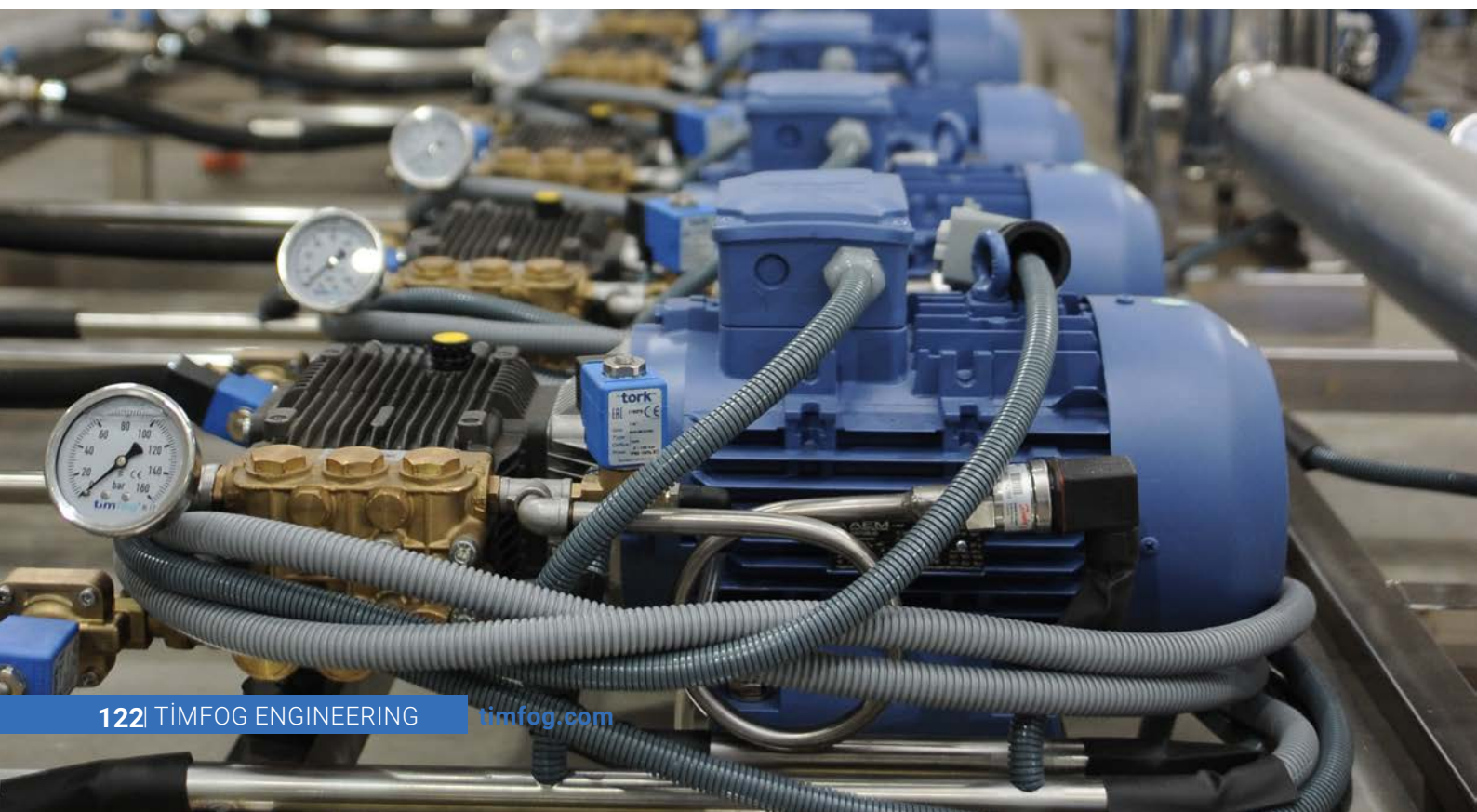
How it works?

The high-pressure fogging system is an air conditioning system used to cool the air inside a greenhouse. It utilizes the basic principle of heat transfer. With this system, the tiny 10-micron droplets sprayed into the greenhouse air require heat for evaporation, and this heat is taken from the ambient air inside the greenhouse. This process is called evaporative cooling.

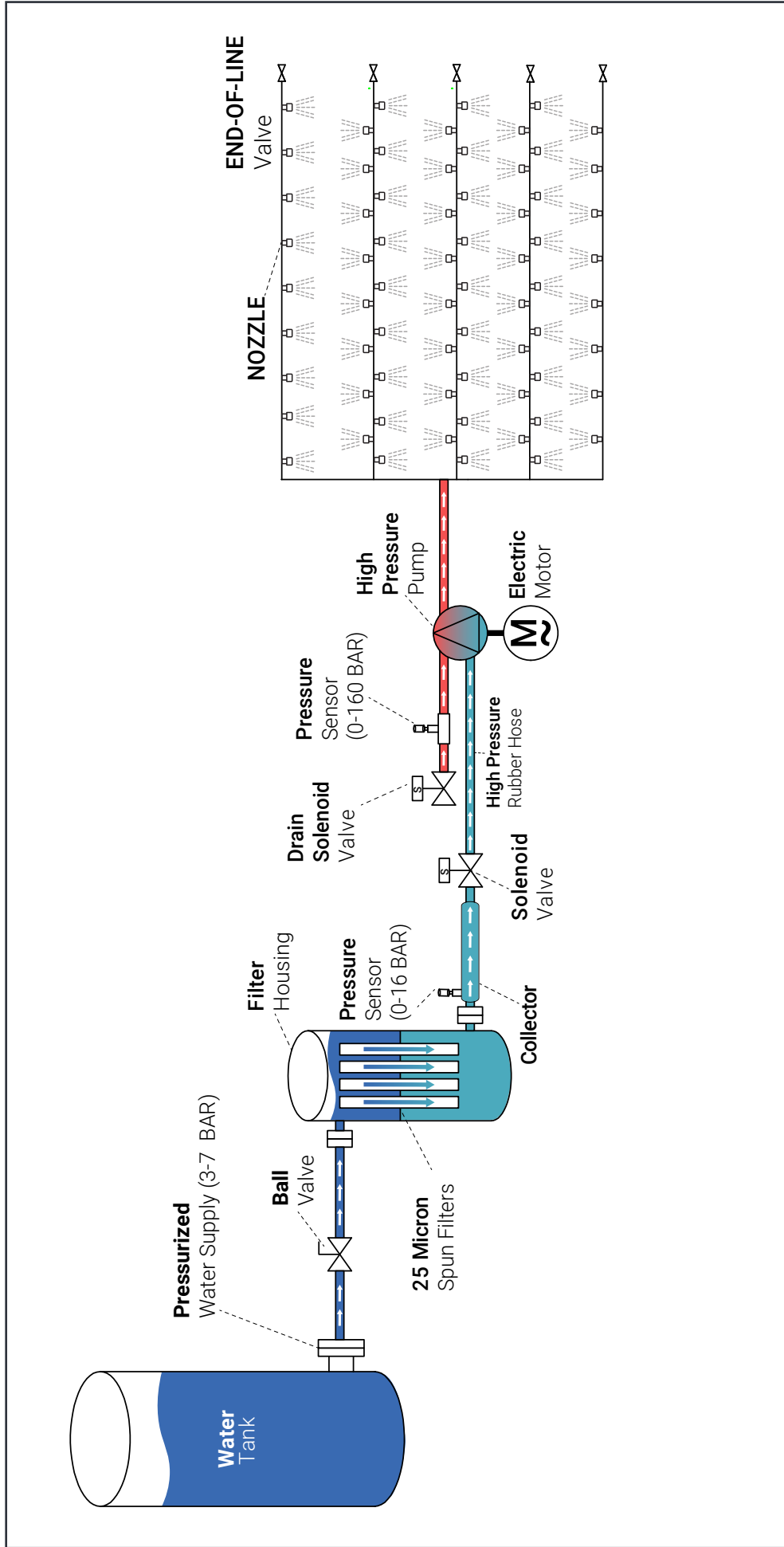
The system uses a PLC-controlled electric motor to operate a high-pressure pump, increasing the pressure of the feed water to turn it into a very fine mist droplet. This mist droplet is then evaporated according to the principle explained above.

A high-pressure fogging system requires stainless steel nozzles. These nozzles are necessary to break down the water into small droplets; the smaller the droplets, the faster the evaporation occurs, and the more efficient the system becomes in terms of cooling.

Timfog has an infinite number of possibilities to design HPFS (High-Pressure Fogging Systems) according to the specific requirements of its customers. By changing the distance between nozzles, the angle of the nozzles on the line, and using single or double nozzles at specific points as needed, it can precisely control and reduce the risks of high temperatures inside a greenhouse.



Working Principle





Control and Electrical Panel

- Integrated panel on pump chassis,
- Control via touchscreen
- High-quality electrical equipment and drivers,
- Painted panel enclosure resistant to harsh environmental conditions

Pressure Transmitters

- Stainless steel body,
- 0-160 bar measurement range
- Operating temperature: -40°C to +85°C,
- IP65 certified



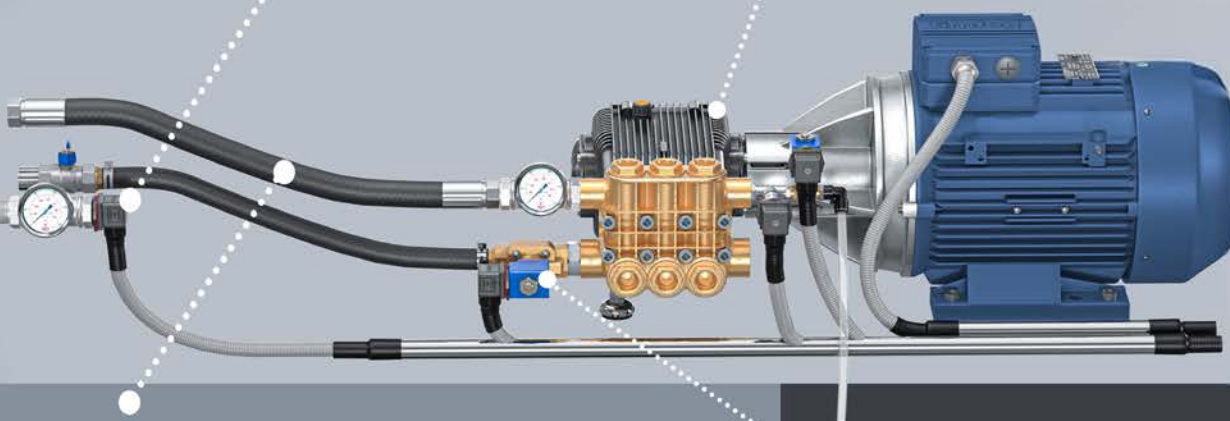
High-Pressure Pumps

- Die-cast aluminum alloy pump body,
- Tapered roller bearings,
- Zinc-aluminum alloy connecting rods,
- Forged brass or nickel-plated brass pump heads,
- Ceramic pistons



Electric Motors

- Aluminum body material,
- Efficiency class: IE3
- Operating temperature: -15°C to +40°C
- IP65 certified



High-Pressure Rubber Hoses

- Maximum pressure: 225 bar,
- Threaded connection,



Solenoid Valves

- Brass body material,
- Operating pressure: 70 bar,
- Operating temperature: -10°C to +80°C,
- IP65 and Ex-proof certified





Nozzled Pipes

- Stainless steel material,
- Single-sided and double-sided nozzle options,
- 90°, 120°, and 180° angled nozzle options

Stainless Steel Pipes

- 304 grade stainless steel material,
- 12-22mm diameter options,



Aluminum Channel

- Sturdy sigma profiles
- Lightweight structure
- Easy maintenance
- Quick assembly



Filter Housings and Spun Filters

- Options for stainless steel and plastic bodies for filter housings
- High-quality spun filters available in sizes from 5" to 40"
- Filtration range of 5-25 microns



Stainless Steel Fittings

- Diameter options: 12-22mm
- Quick press connection
- Made from 304 quality stainless steel



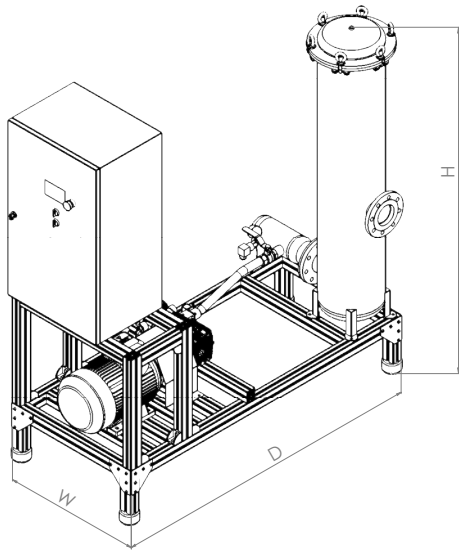
Nozzle Sets

- Welded and threaded connection options
- Made from 304 quality stainless steel
- Available in various orifice diameter options (0,15m - 0,5mm)



SINGLE PUMP UNITS

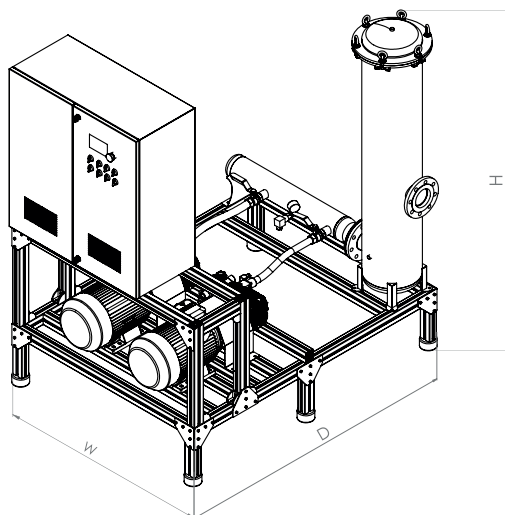
- Compact design and reduced unit weight,
- Can be used for greenhouses ranging from 220 to 11,000 m² in size,
- Directly driven pumps with high-efficiency motors,
- Low inlet pressure and high discharge pressure protection.



Stock Code	Model No	No. of Pumps x Pump Flow Rate (l/min)	Power & Voltage	Dimensions (DxWxD) (mm)	Weight (kg)
2003.021.116	D-0120/EP	1,00x2,00	2,20 kW - 380V	500,00 x 1.000,00 x 392,00	84,30
2003.021.117	D-0240/EP	1,00x4,00	2,20 kW - 380V	500,00 x 1.000,00 x 392,00	84,30
2003.021.119	D-0480/EP	1,00x8,00	2,20 kW - 380V	500,00 x 1.000,00 x 392,00	84,30
2003.021.121	D-0900/EP	1,00x15,00	3,00 kW - 380V	500,00 x 1.000,00 x 435,00	90,70
2003.021.122	D-1260/EP	1,00x21,00	4,00 kW - 380V	500,00 x 1.000,00 x 457,00	103,10
2003.021.124	D-1800/EP	1,00x30,00	5,50 kW - 380V	500,00 x 1.200,00 x 500,00	152,20
2003.021.125	D-2520/EP	1,00x42,00	7,50 kW - 380V	500,00 x 1.400,00 x 500,00	163,40
2022.153.001	D-0120/PP	1,00x2,00	2,20 kW - 380V	500,00 x 1.000,00 x 392,00	84,30
2022.153.002	D-0240/PP	1,00x4,00	2,20 kW - 380V	500,00 x 1.000,00 x 392,00	84,30
2022.153.004	D-0480/PP	1,00x8,00	2,20 kW - 380V	500,00 x 1.000,00 x 392,00	84,30
2022.153.006	D-0900/PP	1,00x15,00	3,00 kW - 380V	500,00 x 1.000,00 x 435,00	90,70
2022.153.007	D-1260/PP	1,00x21,00	4,00 kW - 380V	500,00 x 1.000,00 x 457,00	103,20
2022.153.009	D-1800/PP	1,00x30,00	5,50 kW - 380V	500,00 x 1.200,00 x 500,00	152,20
2022.153.010	D-2520/PP	1,00x42,00	7,50 kW - 380V	500,00 x 1.400,00 x 500,00	163,40
2022.153.011	D-3000/PP	1,00x50,00	11,00 kW - 380V	500,00 x 1.400,00 x 500,00	163,40
2022.153.012	D-4200/PP	1,00x70,00	15,00 kW - 380V	600,00 x 1.500,00 x 510,00	201,20
2022.153.014	D-6000/PP	1,00x100,00	22,00 kW - 380V	600,00 x 1.800,00 x 662,00	243,90

DUAL PUMP UNITS

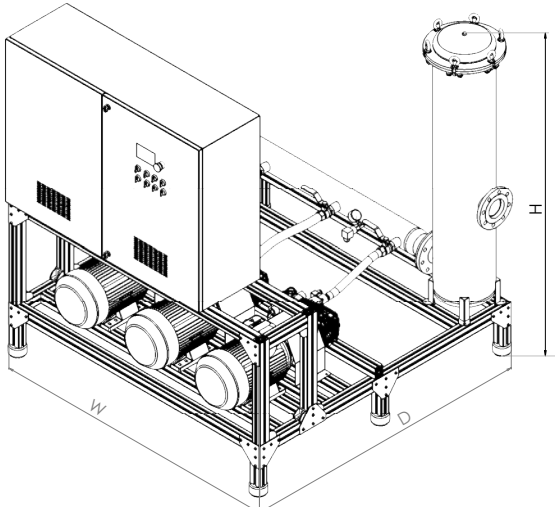
- Compact design,
- Can be used for greenhouses ranging from 440 to 22,000 m2 in size,
- Directly driven pumps with high-efficiency motors,
- Low inlet pressure and high discharge pressure protection.



Stock Code	Model No	No. of Pumps x Pump Flow Rate (l/min)	Power & Voltage	Dimensions (DxWxH) (mm)	Weight (kg)
2.022.154.001	D-2x0120/PP	2,00 x 2,00	4,40 kW - 380V	1.000,00 x 392,00 x 708,00	168,60
2.022.154.002	D-2x0240/PP	2,00 x 4,00	4,40 kW - 380V	1.000,00 x 392,00 x 708,00	168,60
2.022.154.004	D-2x0480/PP	2,00 x 8,00	4,40 kW - 380V	1.000,00 x 392,00 x 708,00	168,60
2.022.154.006	D-2x0900/PP	2,00 x 15,00	6,00 kW - 380V	1.000,00 x 435,00 x 708,00	181,40
2.022.154.007	D-2x1260/PP	2,00 x 21,00	8,00 kW - 380V	1.000,00 x 457,00 x 708,00	206,40
2.022.154.009	D-2x1800/PP	2,00 x 30,00	11,00 kW - 380V	1.200,00 x 500,00 x 708,00	304,40
2.022.154.010	D-2x2520/PP	2,00 x 42,00	15,00 kW - 380V	1.200,00 x 500,00 x 708,00	326,90
2.022.154.011	D-2x3000/PP	2,00 x 50,00	22,00 kW - 380V	1.200,00 x 500,00 x 708,00	326,90
2.022.154.012	D-2x4200/PP	2,00 x 70,00	30,00 kW - 380V	1.500,00 x 510,00 x 708,00	402,30
2.022.154.014	D-2x6000/PP	2,00 x 100,00	44,00 kW - 380V	1.800,00 x 662,00 x 708,00	487,70
2.022.157.001	D-0900/1260/PP	15,00 + 21,00	7,00 kW - 380V	1.000,00 x 457,00 x 708,00	193,90
2.022.157.002	D-0900/1800/PP	15,00 + 30,00	8,50 kW - 380V	1.200,00 x 500,00 x 708,00	242,90
2.022.157.003	D-0900/2520/PP	15,00 + 42,00	10,50 kW - 380V	1.200,00 x 500,00 x 708,00	254,10
2.022.157.004	D-0900/3000/PP	15,00 + 50,00	14,00 kW - 380V	1.200,00 x 500,00 x 708,00	254,10
2.022.157.005	D-0900/4200/PP	15,00 + 70,00	18,00 kW - 380V	1.500,00 x 510,00 x 708,00	291,90
2.022.157.007	D-0900/6000/PP	15,00 + 100,00	25,00 kW - 380V	1.800,00 x 662,00 x 708,00	334,60
2.022.157.008	D-1260/1800/PP	21,00 + 30,00	9,50 kW - 380V	1.200,00 x 500,00 x 708,00	255,40
2.022.157.009	D-1260/2520/PP	21,00 + 42,00	11,50 kW - 380V	1.200,00 x 500,00 x 708,00	266,60
2.022.157.010	D-1260/3000/PP	21,00 + 50,00	15,00 kW - 380V	1.200,00 x 500,00 x 708,00	266,60
2.022.157.011	D-1260/4200/PP	21,00 + 70,00	19,00 kW - 380V	1.500,00 x 510,00 x 708,00	304,30
2.022.157.013	D-1260/6000/PP	21,00 + 100,00	26,00 kW - 380V	1.800,00 x 662,00 x 708,00	347,10
2.022.157.014	D-1800/2520/PP	30,00 + 42,00	13,00 kW - 380V	1.400,00 x 500,00 x 708,00	315,60
2.022.157.015	D-1800/3000/PP	30,00 + 50,00	16,50 kW - 380V	1.400,00 x 500,00 x 708,00	315,60
2.022.157.016	D-1800/4200/PP	30,00 + 70,00	20,50 kW - 380V	1.500,00 x 510,00 x 708,00	353,30
2.022.157.018	D-1800/6000/PP	30,00 + 100,00	27,50 kW - 380V	1.800,00 x 662,00 x 708,00	396,10
2.022.157.019	D-2520/3000/PP	42,00 + 50,00	18,50 kW - 380V	1.400,00 x 500,00 x 708,00	326,80
2.022.157.020	D-2520/4200/PP	42,00 + 70,00	22,50 kW - 380V	1.500,00 x 510,00 x 708,00	364,50
2.022.157.022	D-2520/6000/PP	42,00 + 100,00	29,50 kW - 380V	1.800,00 x 662,00 x 708,00	407,30
2.022.157.023	D-3000/4200/PP	50,00 + 70,00	26,00 kW - 380V	1.500,00 x 510,00 x 708,00	364,50
2.022.157.025	D-3000/6000/PP	50,00 + 100,00	33,00 kW - 380V	1.800,00 x 662,00 x 708,00	407,30
2.022.157.027	D-4200/6000/PP	70,00 + 100,00	37,00 kW - 380V	1.800,00 x 662,00 x 708,00	445,00

TRIPLE PUMP UNITS

- Compact design,
- Can be used for greenhouses ranging from 660 to 33,000 m² in size,
- Directly driven pumps with high-efficiency motors,
- Low inlet pressure and high discharge pressure protection.



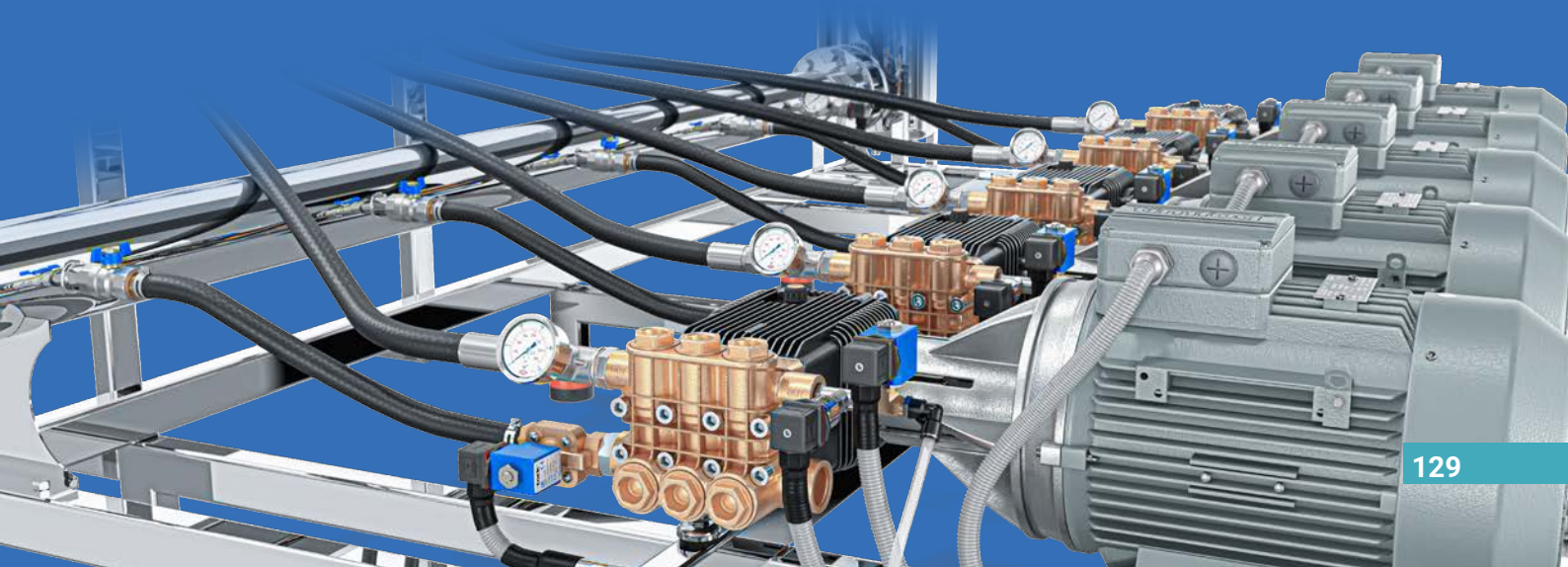
Stock Code	Model No	No. of Pumps x Pump Flow Rate (l/min)	Power & Voltage	Dimensions (DxWxH) (mm)	Weight (kg)
2.022.155.001	D-3x0120/PP	3,00 x 2,00	6,60 kW - 380V	1.510,00 x 1.000,00 x 392,00	252,90
2.022.155.002	D-3x0240/PP	3,00 x 4,00	6,60 kW - 380V	1.510,00 x 1.000,00 x 392,00	252,90
2.022.155.004	D-3x0480/PP	3,00 x 8,00	6,60 kW - 380V	1.510,00 x 1.000,00 x 392,00	252,90
2.022.155.006	D-3x0900/PP	3,00 x 15,00	9,00 kW - 380V	1.510,00 x 1.000,00 x 435,00	272,10
2.022.155.007	D-3x1260/PP	3,00 x 21,00	12,00 kW - 380V	1.510,00 x 1.000,00 x 457,00	309,60
2.022.155.009	D-3x1800/PP	3,00 x 30,00	16,60 kW - 380V	1.510,00 x 1.200,00 x 500,00	456,60
2.022.155.010	D-3x2520/PP	3,00 x 42,00	22,50 kW - 380V	1.510,00 x 1.400,00 x 500,00	490,20
2.022.155.011	D-3x3000/PP	3,00 x 50,00	33,00 kW - 380V	1.510,00 x 1.400,00 x 500,00	490,20
2.022.155.012	D-3x4200/PP	3,00 x 70,00	45,00 kW - 380V	1.810,00 x 1.500,00 x 510,00	603,50
2.022.155.014	D-3x6000/PP	3,00 x 100,00	66,00 kW - 380V	1.810,00 x 1.800,00 x 662,00	731,60
2.022.158.001	D-2x0900/1260/PP	2,00 x 15,00+ 21,00	10,00 kW - 380V	1.510,00 x 1.000,00 x 457,00	284,60
2.022.158.002	D-2x0900/1800/PP	2,00 x 15,00 + 30,00	11,50 kW - 380V	1.510,00 x 1.400,00 x 500,00	333,60
2.022.158.003	D-2x0900/2520/PP	2,00 x 15,00+ 42,00	13,50 kW - 380V	1.510,00 x 1.400,00 x 500,00	344,80
2.022.158.004	D-2x0900/3000/PP	2,00 x 15,00 + 50,00	17,00 kW - 380V	1.510,00 x 1.400,00 x 500,00	344,80
2.022.158.005	D-2x0900/4200/PP	2,00 x 15,00 + 70,00	21,00 kW - 380V	1.610,00 x 1.500,00 x 510,00	382,60
2.022.158.007	D-2x0900/6000/PP	2,00 x 15,00 + 100,00	28,00 kW - 380V	1.610,00 x 1.800,00 x 662,00	425,30
2.022.158.008	D-2x1260/1800/PP	2,00 x 21,00 + 30,00	13,50 kW - 380V	1.510,00 x 1.200,00 x 500,00	358,60
2.022.158.009	D-2x1260/2520/PP	2,00 x 21,00 + 42,00	15,50 kW - 380V	1.510,00 x 1.400,00 x 500,00	369,80
2.022.158.010	D-2x1260/3000/PP	2,00 x 21,00 + 50,00	19,00 kW - 380V	1.510,00 x 1.400,00 x 500,00	369,80
2.022.158.011	D-2x1260/4200/PP	2,00 x 21,00 + 70,00	23,00 kW - 380V	1.610,00 x 1.500,00 x 510,00	407,50
2.022.158.013	D-2x1260/6000/PP	2,00 x 21,00 + 100,00	30,00 kW - 380V	1.510,00 x 1.400,00 x 500,00	450,20
2.022.158.014	D-2x1800/2520/PP	2,00 x 30,00 + 42,00	18,50 kW - 380V	1.510,00 x 1.400,00 x 500,00	467,80
2.022.158.015	D-2x1800/3000/PP	2,00 x 30,00 + 50,00	22,00 kW - 380V	1.510,00 x 1.400,00 x 500,00	467,80
2.022.158.016	D-2x1800/4200/PP	2,00 x 30,00 + 70,00	26,00 kW - 380V	1.610,00 x 1.500,00 x 510,00	505,50
2.022.158.018	D-2x1800/6000/PP	2,00 x 30,00 + 100,00	33,00 kW - 380V	1.610,00 x 1.800,00 x 662,00	548,30
2.022.158.019	D-2x2520/3000/PP	2,00 x 42,00 + 50,00	26,00 kW - 380V	1.510,00 x 1.400,00 x 500,00	344,80

PUMPING UNITS

Stock Code	Model No	No. of Pumps x Pump Flow Rate (l/min)	Power & Voltage	Dimensions (DxWxH) (mm)	Weight (kg)
2.022.158.020	D-2x2520/4200/PP	2,00 x 42,00 + 70,0	30,00 kW - 380V	1.510,00 x 1.000,00 x 392,00	252,90
2.022.158.022	D-2x2520/6000/PP	2,00 x 42,00 + 100,00	37,00 kW - 380V	1.510,00 x 1.000,00 x 392,00	252,90
2.022.158.023	D-2x3000/4200/PP	2,00 x 50,00 + 70,00	37,00 kW - 380V	1.510,00 x 1.000,00 x 392,00	252,90
2.022.158.025	D-2x3000/6000/PP	2,00 x 50,00 + 100,00	44,00 kW - 380V	1.510,00 x 1.000,00 x 435,00	272,10
2.022.158.027	D-2x4200/6000/PP	2,00 x 70,00 + 100,00	52,00 kW - 380V	1.510,00 x 1.000,00 x 457,00	309,50
2.022.158.028	D-0900/2x1260/PP	15,00 + 2,00 x 21,00	16,60 kW - 380V	1.510,00 x 1.200,00 x 500,00	456,50
2.022.158.029	D-0900/2x1800/PP	15,00 + 2,00 x 30,00	22,50 kW - 380V	1.510,00 x 1.400,00 x 500,00	490,10
2.022.158.030	D-0900/2x2520/PP	15,00 + 2,00 x 42,00	22,50 kW - 380V	1.510,00 x 1.400,00 x 500,00	490,10
2.022.158.031	D-0900/2x3000/PP	15,00 + 2,00 x 50,00	25,00 kW - 380V	1.810,00 x 1.500,00 x 510,00	603,40
2.022.158.032	D-0900/2x4200/PP	15,00 + 2,00 x 70,00	33,00 kW - 380V	1.810,00 x 1.800,00 x 662,00	731,60
2.022.158.034	D-0900/2x6000/PP	15,00 + 2,00 x 100,00	47,00 kW - 380V	1.510,00 x 1.000,00 x 457,00	284,50
2.022.158.035	D-1260/2x1800/PP	21,00 + 2,00 x 30,00	11,50 kW - 380V	1.510,00 x 1.400,00 x 500,00	333,60
2.022.158.036	D-1260/2x2520/PP	21,00 + 2,00 x 42,00	13,50 kW - 380V	1.510,00 x 1.400,00 x 500,00	344,80
2.022.158.037	D-1260/2x3000/PP	21,00 + 2,00 x 50,00	26,00 kW - 380V	1.510,00 x 1.400,00 x 500,00	344,80
2.022.158.038	D-1260/2x4200/PP	21,00 + 2,00 x 70,00	34,00 kW - 380V	1.610,00 x 1.500,00 x 510,00	382,50
2.022.158.040	D-1260/2x6000/PP	21,00 + 2,00 x 100,00	48,00 kW - 380V	1.610,00 x 1.800,00 x 662,00	425,20
2.022.158.041	D-1800/2x2520/PP	30,00 + 2,00 x 42,00	13,50 kW - 380V	1.510,00 x 1.200,00 x 500,00	358,50
2.022.158.042	D-1800/2x3000/PP	30,00 + 2,00 x 50,00	27,50 kW - 380V	1.510,00 x 1.400,00 x 500,00	369,70
2.022.158.043	D-1800/2x4200/PP	30,00 + 2,00 x 70,00	35,50 kW - 380V	1.510,00 x 1.400,00 x 500,00	369,70
2.022.158.045	D-1800/2x6000/PP	30,00 + 2,00 x 100,00	49,50 kW - 380V	1.610,00 x 1.500,00 x 510,00	407,50
2.022.158.046	D-2520/2x3000/PP	42,00 + 2,00 x 50,00	29,50 kW - 380V	1.510,00 x 1.400,00 x 500,00	450,20
2.022.158.047	D-2520/2x4200/PP	42,00 + 2,00 x 70,00	37,50 kW - 380V	1.510,00 x 1.400,00 x 500,00	467,70
2.022.158.049	D-2520/2x6000/PP	42,00 + 2,00 x 100,00	51,50 kW - 380V	1.510,00 x 1.400,00 x 500,00	467,70
2.022.158.050	D-3000/2x4200/PP	50,00 + 2,00 x 70,00	41,00 kW - 380V	1.610,00 x 1.500,00 x 510,00	505,50
2.022.158.052	D-3000/2x6000/PP	50,00 + 2,00 x 100,00	55,00 kW - 380V	1.610,00 x 1.800,00 x 662,00	548,20
2.022.158.054	D-4200/2x6000/PP	70,00 + 2,00 x 100,00	59,00 kW - 380V	1.510,00 x 1.400,00 x 500,00	548,20
2.022.158.055	D-2520/0480/1800/PP	42,00 + 8,00 l/dk + 30,00	26,00 kW - 380V	1.610,00 x 1.800,00 x 662,00	548,20

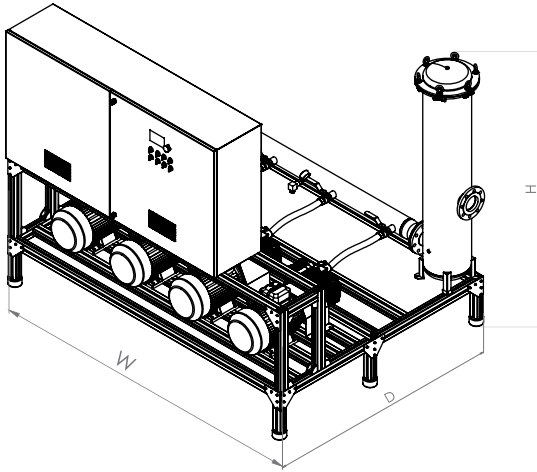
Programmable Smart Control Device

The PLC component of the Timfog fogging system provides maintenance alerts for pump oil and seal changes, as well as alarms for low water inlet pressure or low pump outlet pressure. The touchscreen control panel and interface are mounted on the electrical panel of the Timfog fogging system.



QUADRUPLE PUMP UNITS

- Compact design,
- Can be used for greenhouses ranging from 880 to 44,000 m² in size,
- Directly driven pumps with high-efficiency motors,
- Low inlet pressure and high discharge pressure protection.

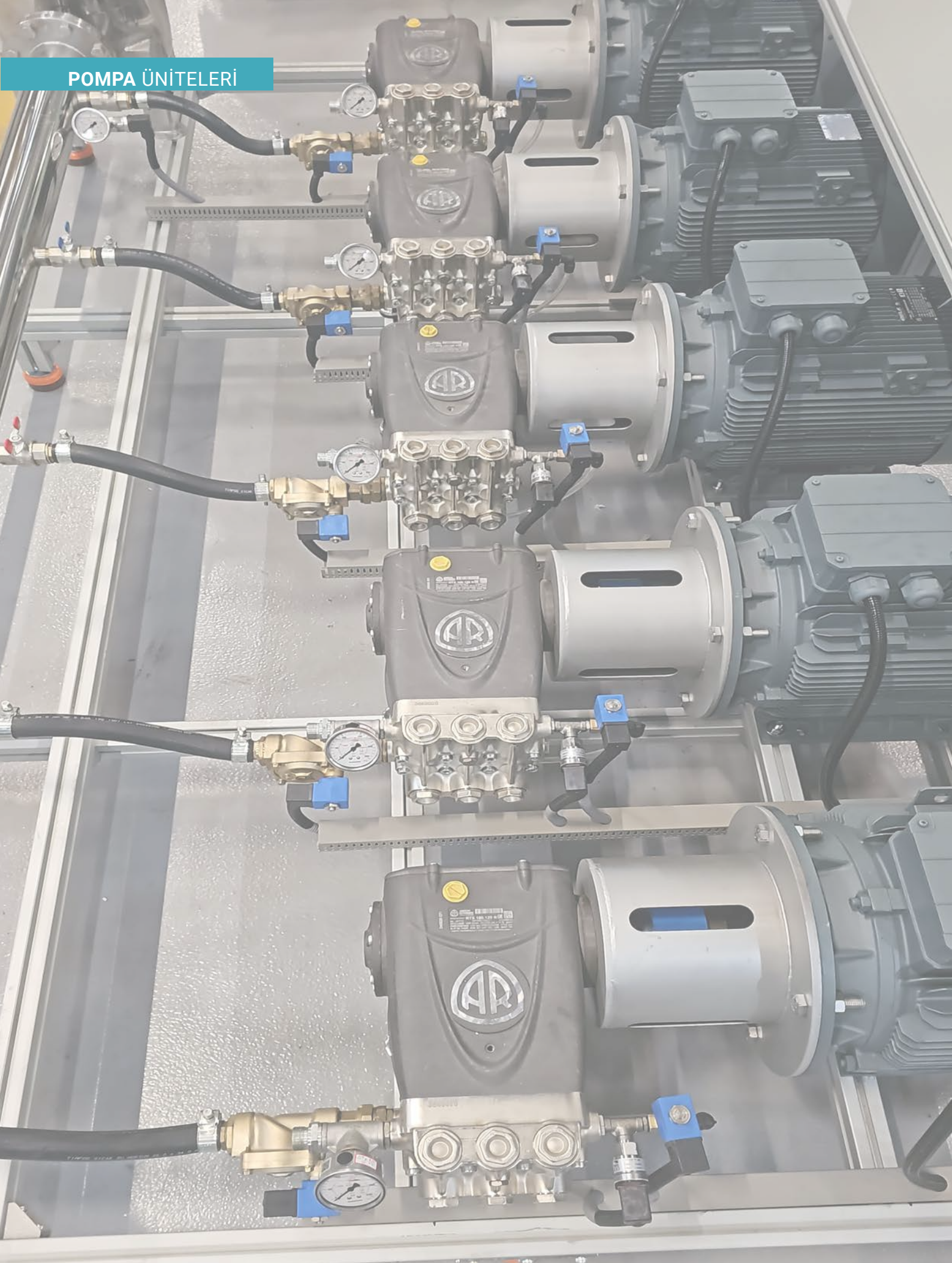


Stock Code	Model No	No. of Pumps x Pump Flow Rate (l/min)	Power & Voltage	Dimensions (DxWxH) (mm)	Weight (kg)
2.022.156.001	D-4x0120/PP	4,00 x 2,00	8,80 kW - 380V	2.010,00 x 1.000,00 x 392,00	337,20
2.022.156.002	D-4x0240/PP	4,00 x 4,00	8,80 kW - 380V	2.010,00 x 1.000,00 x 392,00	337,20
2.022.156.004	D-4x0480/PP	4,00 x 8,00	8,80 kW - 380V	2.010,00 x 1.000,00 x 392,00	337,20
2.022.156.006	D-4x0900/PP	4,00 x 15,00	12,00 kW - 380V	2.010,00 x 1.000,00 x 435,00	362,80
2.022.156.007	D-4x1260/PP	4,00 x 21,00	16,00 kW - 380V	2.010,00 x 1.000,00 x 457,00	412,70
2.022.156.009	D-4x1800/PP	4,00 x 30,00	22,00 kW - 380V	2.010,00 x 1.200,00 x 500,00	608,70
2.022.156.010	D-4x2520/PP	4,00 x 42,00	30,00 kW - 380V	2.010,00 x 1.400,00 x 500,00	653,50
2.022.156.011	D-4x3000/PP	4,00 x 50,00	44,00 kW - 380V	2.010,00 x 1.400,00 x 500,00	653,50
2.022.156.012	D-4x4200/PP	4,00 x 70,00	60,00 kW - 380V	2.410,00 x 1.500,00 x 510,00	804,60
2.022.156.014	D-4x6000/PP	4,00 x 100,00	88,00 kW - 380V	2.410,00 x 1.800,00 x 662,00	975,40
2.022.159.001	D-0900/3x1260/PP	15,00 + 3 x 21,00	15,00 kW - 380V	2.110,00 x 1.000,00 x 457,00	400,20
2.022.159.002	D-0900/3x1800/PP	15,00 + 3 x 30,00	19,50 kW - 380V	2.110,00 x 1.400,00 x 500,00	547,20
2.022.159.003	D-0900/3x2520/PP	15,00 + 3 x 42,00	25,50 kW - 380V	2.110,00 x 1.400,00 x 500,00	580,80
2.022.159.004	D-0900/3x3000/PP	15,00 + 3 x 50,00	36,00 kW - 380V	2.110,00 x 1.400,00 x 500,00	580,80
2.022.159.005	D-0900/3x4200/PP	15,00 + 3 x 70,00	48,00 kW - 380V	2.310,00 x 1.500,00 x 510,00	694,10
2.022.159.007	D-0900/3x6000/PP	15,00 + 3 x 100,00	69,00 kW - 380V	2.310,00 x 1.800,00 x 662,00	822,30
2.022.159.008	D-1260/3x1800/PP	21,00 + 3 x 30,00	20,50 kW - 380V	2.110,00 x 1.200,00 x 500,00	559,70
2.022.159.009	D-1260/3x2520/PP	21,00 + 3 x 42,00	26,50 kW - 380V	2.110,00 x 1.400,00 x 500,00	593,30
2.022.159.010	D-1260/3x3000/PP	21,00 + 3 x 50,00	37,00 kW - 380V	2.110,00 x 1.400,00 x 500,00	593,30
2.022.159.011	D-1260/3x4200/PP	21,00 + 3 x 70,00	49,00 kW - 380V	2.310,00 x 1.500,00 x 510,00	706,60
2.022.159.013	D-1260/3x6000/PP	21,00 + 3 x 100,00	70,00 kW - 380V	2.110,00 x 1.400,00 x 500,00	834,80
2.022.159.014	D-1800/3x2520/PP	30,00 + 3 x 42,00	28,00 kW - 380V	2.110,00 x 1.400,00 x 500,00	642,30
2.022.159.015	D-1800/3x3000/PP	30,00 + 3 x 50,00	38,50 kW - 380V	2.110,00 x 1.400,00 x 500,00	642,30
2.022.159.016	D-1800/3x4200/PP	30,00 + 3 x 70,00	50,50 kW - 380V	2.310,00 x 1.500,00 x 510,00	755,60
2.022.159.018	D-1800/3x6000/PP	30,00 + 3 x 100,00	71,50 kW - 380V	2.310,00 x 1.800,00 x 662,00	83,80
2.022.159.019	D-2x2520/3000/PP	42,00 + 3 x 50,00	26,00 kW - 380V	2.010,00 x 1.400,00 x 500,00	653,50
2.022.159.020	D-2520/3x4200/PP	42,00 + 3 x 70,00	52,50 kW - 380V	2.310,00 x 1.500,00 x 510,00	766,80

PUMPING UNITS

Stock Code	Model No	No. of Pumps x Pump Flow Rate (l/min)	Power & Voltage	Dimensions (DxWxH) (mm)	Weight (kg)
2.022.159.022	D-2520/3x6000/PP	42,00 + 3 x 100,00	73,50 kW - 380V	2.310,00 x 1.800,00 x 662,00	95,00
2.022.159.023	D-3000/3x4200/PP	50,00 + 3 x 70,00	56,00 kW - 380V	2.310,00 x 1.500,00 x 510,00	766,80
2.022.159.025	D-3000/3x6000/PP	50,00 + 3 x 100,00	77,00 kW - 380V	2.310,00 x 1.800,00 x 662,00	95,00
2.022.159.027	D-4200/3x6000/PP	70,00 + 3 x 100,00	81,00 kW - 380V	2.410,00 x 1.800,00 x 662,00	932,70
2.022.159.028	D-2x0900/2x1260/PP	2,00 x 15,00 + 2 x 21,00	14,00 kW - 380V	2.010,00 x 1.500,00 x 510,00	287,70
2.022.159.029	D-2x0900/2x1800/PP	2,00 x 15,00 + 2 x 30,00	17,00 kW - 380V	2.010,00 x 1.200,00 x 500,00	485,70
2.022.159.030	D-2x0900/2x2520/PP	2,00 x 15,00 + 2 x 42,00	21,00 kW - 380V	2.010,00 x 1.500,00 x 500,00	508,10
2.022.159.031	D-2x0900/2x3000/PP	2,00 x 15,00 + 2 x 50,00	28,00 kW - 380V	2.010,00 x 1.400,00 x 500,00	508,10
2.022.159.032	D-2x0900/2x4200/PP	2,00 x 15,00 + 2 x 70,00	36,00 kW - 380V	2.210,00 x 1.500,00 x 510,00	583,70
2.022.159.034	D-2x0900/2x6000/PP	2,00 x 15,00 + 2 x 100,00	50,00 kW - 380V	2.210,00 x 1.800,00 x 662,00	608,60
2.022.159.035	D-2x1260/2x1800/PP	2,00 x 21,00 + 2 x 30,00	19,00 kW - 380V	2.010,00 x 1.200,00 x 500,00	669,10
2.022.159.036	D-2x1260/2x2520/PP	2,00 x 21,00 + 2 x 42,00	23,00 kW - 380V	2.010,00 x 1.400,00 x 500,00	510,70
2.022.159.037	D-2x1260/2x3000/PP	2,00 x 21,00 + 2 x 50,00	30,00 kW - 380V	2.010,00 x 1.400,00 x 500,00	533,10
2.022.159.038	D-2x1260/2x4200/PP	2,00 x 21,00 + 2 x 70,00	38,00 kW - 380V	2.210,00 x 1.500,00 x 510,00	533,10
2.022.159.040	D-2x1260/2x6000/PP	2,00 x 21,00 + 2 x 100,00	52,00 kW - 380V	2.210,00 x 1.800,00 x 662,00	608,60
2.022.159.041	D-2x1800/2x2520/PP	2,00 x 30,00 + 2 x 42,00	26,00 kW - 380V	2.010,00 x 1.400,00 x 500,00	694,10
2.022.159.042	D-2x1800/2x3000/PP	2,00 x 30,00 + 2 x 50,00	33,00 kW - 380V	2.010,00 x 1.400,00 x 500,00	631,10
2.022.159.043	D-2x1800/2x4200/PP	2,00 x 30,00 + 2 x 70,00	41,00 kW - 380V	2.210,00 x 1.500,00 x 510,00	631,10
2.022.159.45	D-2x1800/2x6000/PP	2,00 x 30,00 + 2 x 100,00	55,00 kW - 380V	2.210,00 x 1.800,00 x 662,00	706,60
2.022.159.046	D-2x2520/2x3000/PP	2,00 x 42,00 + 2 x 50,00	37,00 kW - 380V	2.010,00 x 1.400,00 x 500,00	792,10
2.022.159.047	D-2x2520/2x4200/PP	2,00 x 42,00 + 2 x 70,00	45,00 kW - 380V	2.210,00 x 1.500,00 x 510,00	653,50
2.022.159.049	D-2x2520/2x6000/PP	2,00 x 42,00 + 2 x 100,00	59,00 kW - 380V	2.210,00 x 1.800,00 x 662,00	729,00
2.022.159.050	D-2x3000/2x4200/PP	2,00 x 50,00 + 2 x 70,00	52,00 kW - 380V	2.210,00 x 1.500,00 x 510,00	814,50
2.022.159.052	D-2x3000/2x6000/PP	2,00 x 50,00 + 2 x 100,00	66,00 kW - 380V	2.210,00 x 1.800,00 x 662,00	729,00
2.022.159.054	D-2x4200/2x6000/PP	2,00 x 70,00 + 2 x 100,00	74,00 kW - 380V	2.410,00 x 1.800,00 x 662,00	814,50
2.022.159.055	D-3x0900/1260/PP	3,00 x 15,00 + 21,00	13,00 kW - 380V	2.010,00 x 1.000,00 x 457,00	890,00
2.022.159.056	D-3x0900/1800/PP	3,00 x 21,00 + 30,00	14,50 kW - 380V	2.010,00 x 1.200,00 x 500,00	375,20
2.022.159.057	D-3x0900/2520/PP	3,00 x 21,00 + 42,00	16,50 kW - 380V	2.010,00 x 1.400,00 x 500,00	424,30
2.022.159.058	D-3x0900/3000/PP	3,00 x 21,00 + 50,00	23,00 kW - 380V	2.010,00 x 1.400,00 x 500,00	435,50
2.022.159.059	D-3x0900/4200/PP	3,00 x 21,00 + 70,00	27,00 kW - 380V	2.110,00 x 1.500,00 x 510,00	435,50
2.022.159.061	D-3x0900/6000/PP	3,00 x 15,00 + 100,00	31,00 kW - 380V	2.110,00 x 1.800,00 x 662,00	473,20
2.022.159.062	D-3x1260/1800/PP	3,00 x 21,00 + 30,00	17,50 kW - 380V	2.010,00 x 1.200,00 x 500,00	515,90
2.022.159.063	D-3x1260/2520/PP	3,00 x 21,00 + 42,00	19,50 kW - 380V	2.010,00 x 1.400,00 x 500,00	461,70
2.022.159.064	D-3x1260/3000/PP	3,00 x 21,00 + 50,00	23,00 kW - 380V	2.010,00 x 1.400,00 x 500,00	472,90
2.022.159.065	D-3x1260/4200/PP	3,00 x 21,00 + 70,00	27,00 kW - 380V	2.110,00 x 1.500,00 x 510,00	472,90
2.022.159.067	D-3x1260/6000/PP	3,00 x 21,00 + 100,00	34,00 kW - 380V	2.110,00 x 1.800,00 x 662,00	510,70
2.022.159.068	D-3x1800/2520/PP	3,00 x 30,00 + 42,00	24,00 kW - 380V	2.010,00 x 1.400,00 x 500,00	553,40
2.022.159.069	D-3x1800/3000/PP	3,00 x 30,00 + 50,00	27,50 kW - 380V	2.010,00 x 1.400,00 x 500,00	619,90
2.022.159.070	D-3x1800/4200/PP	3,00 x 30,00 + 70,00	31,50 kW - 380V	2.110,00 x 1.500,00 x 510,00	619,90
2.022.159.072	D-3x1800/6000/PP	3,00 x 30,00 + 100,00	38,50 kW - 380V	2.110,00 x 1.800,00 x 662,00	657,70
2.022.159.073	D-3x2520/3000/PP	3,00 x 42,00 + 50,00	33,50 kW - 380V	2.010,00 x 1.400,00 x 500,00	700,40
2.022.159.074	D-3x2520/4200/PP	3,00 x 42,00 + 70,00	37,50 kW - 380V	2.110,00 x 1.500,00 x 510,00	653,50
2.022.159.076	D-3x2520/6000/PP	3,00 x 42,00 + 100,00	44,50 kW - 380V	2.110,00 x 1.800,00 x 662,00	691,30
2.022.159.077	D-3x3000/4200/PP	3,00 x 50,00 + 70,00	48,00 kW - 380V	2.110,00 x 1.500,00 x 510,00	734,00
2.022.159.079	D-3x3000/6000/PP	3,00 x 50,00 + 100,00	55,00 kW - 380V	2.110,00 x 1.800,00 x 662,00	691,30
2.022.159.081	D-3x4200/6000/PP	3,00 x 70,00 + 100,00	67,00 kW - 380V	2.410,00 x 1.800,00 x 662,00	734,00

POMPA ÜNİTELERİ



PUMPING UNITS

QUINTUPLE PUMP UNITS

- Smart design,
- The best and most powerful in its field, High area fogging capacity
- Directly driven pumps with high-efficiency motors,
- Low inlet pressure and high discharge pressure protection.

Stock Code	Model No	No. of Pumps x Pump Flow Rate (l/min)	Power & Voltage	Dimensions (DxWxH) (mm)	Weight (kg)
2.022.217.030	D-5x0120/PP	5,00 x 2,00	11 kW - 380 V	2.900,00 x 1.920,0 x 1.120,00	416,00
2.022.217.029	D-5x0240/PP	5,00 x 4,00	11 kW - 380 V	2.900,00 x 1.920,0 x 1.120,00	416,00
2.022.217.025	D-5x0480/PP	5,00 x 8,00	11 kW - 380 V	2.900,00 x 1.920,0 x 1.120,00	416,00
2.022.217.028	D-5x0900/PP	5,00 x 15,00	15 kW - 380 V	2.900,00 x 1.920,0 x 1.370,00	490,00
2.022.217.027	D-5x1260/PP	5,00 x 21,00	20 kW - 380 V	2.900,00 x 1.920,0 x 1.630,00	616,00
2.022.217.026	D-5x1800/PP	5,00 x 30,00	27,50 kW - 380 V	2.900,00 x 1.920,0 x 1.070,00	625,00
2.022.164.006	D-5x2520/PP	5,00 x 42,00	37,50 kW - 380V	2.400,00 x 1.920,00 x 1.730,00	720,00
2.022.217.006	D-5x3000/PP	5,00 x 50,00	55,00 kW - 380V	2.900,00 x 1.920,00 x 1.730,00	800,00
2.022.217.009	D-5x4200/PP	5,00 x 70,00	75,00 kW - 380V	2.900,00 x 1.920,00 x 1.760,00	900,00
2.022.156.016	D-5x6000/PP	5,00 x 100,00	110,00 kW - 380V	2.900,00 x 1.920,00 x 1.820,00	1300,00



HIGH-PRESSURE PUMP UNITS

At Timfog, we understand that every greenhouse is different, and therefore we offer custom-built high-pressure pump units to meet the specific needs of our customers. Our high-pressure pump units are designed to provide efficient and reliable climate control for your greenhouse, ensuring the most suitable growing conditions for your products.

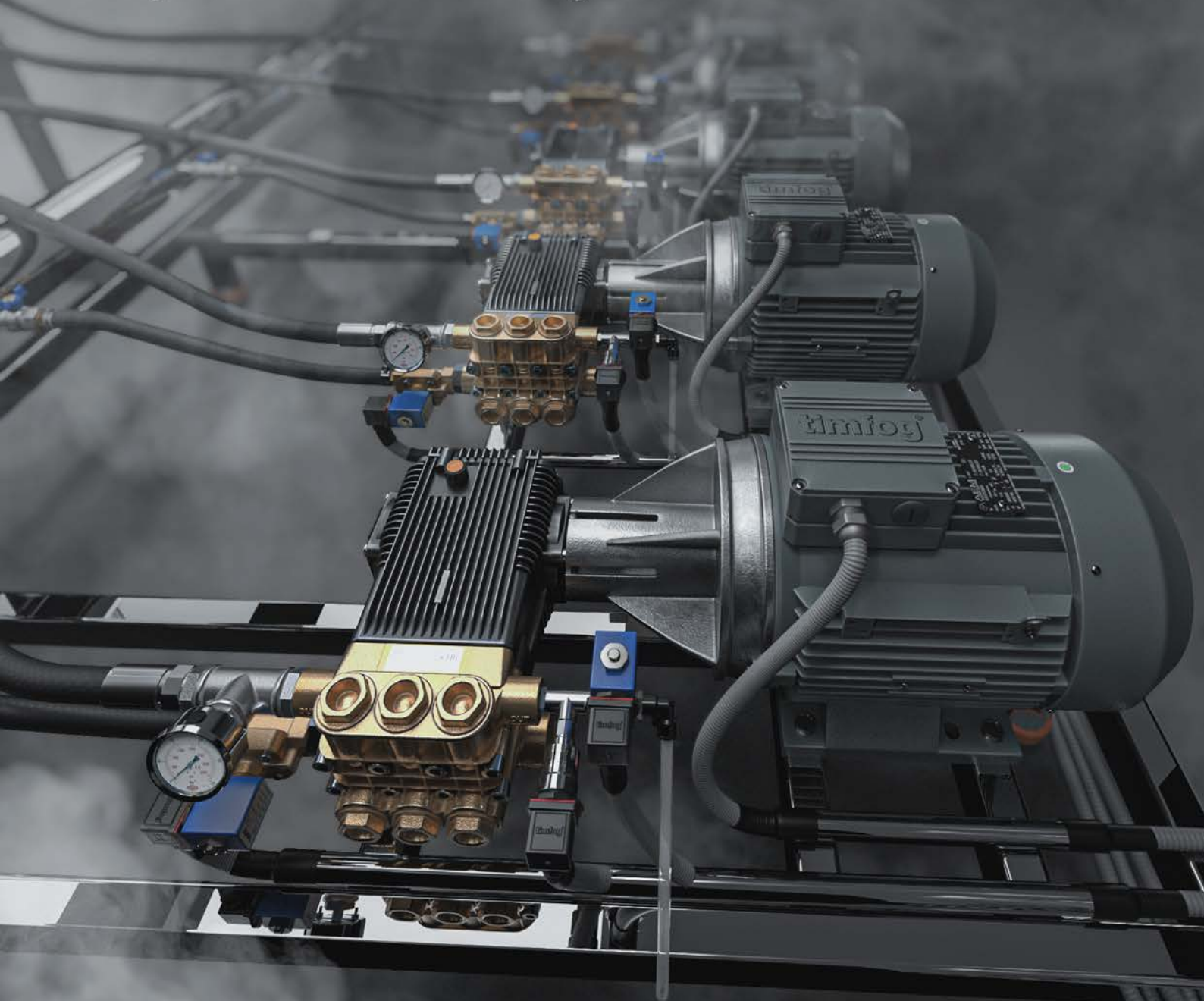
Unlike standard high-pressure pump units, our custom-built units are precisely tailored to meet your exact specifications. This means we take into account the size and layout of your greenhouse, as well as the types of crops you grow and the climatic conditions in your region. By adapting our pump units to your specific needs, we can ensure you achieve the most efficient and effective climate control possible.

One of the most significant advantages of our custom-built high-pressure pump units is the technical flexibility they offer. We can provide dozens of options when it comes to pump size, pressure, and flow rate, allowing us to design a system that perfectly matches the unique requirements of your greenhouse. Additionally, to ensure durability and longevity even in the most challenging environments, we can manufacture the chassis of our pump units from a variety of materials, including stainless steel and aluminum.

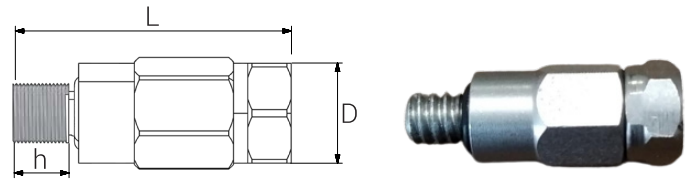


HIGH-PRESSURE SYSTEM

High-Precision Climate Control with
High-Pressure Misting

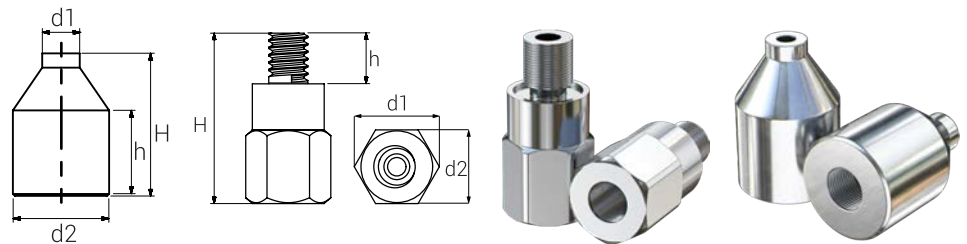


NOZZLE SETS



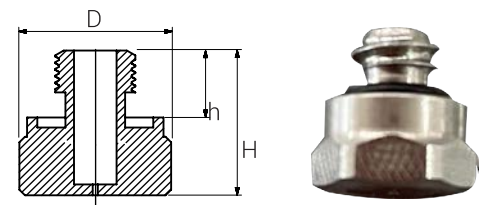
Stock Code	Model No	Product Description	D (mm)	L (mm)	h (mm)	Weight (gr)
1.022.165.015	No:1	0,15 mm Stainless Steel Body Threaded Nozzle Set	8,00	18,00	5,00	8,00
1.022.165.007	No:2	0,20 mm Stainless Steel Body Threaded Nozzle Set	8,00	18,00	5,00	8,00
1.022.165.005	No:3	0,30 mm Stainless Steel Body Threaded Nozzle Set	8,00	18,00	5,00	8,00
1.022.165.016	No:5	0,50 mm Stainless Steel Body Threaded Nozzle Set	8,00	18,00	5,00	8,00

NOZZLE BODIES



Stock Code	Model No	Product Description	H (mm)	d1 (mm)	d2 (mm)	h (mm)	Weight (gr)
1.022.165.010	DG	Stainless Steel Threaded Nozzle Body	18,00	9,00	8,00	5,00	5,60
1.022.165.006	KG	Stainless Steel Welded Nozzle Body	15,00	3,90	10,00	8,80	5,00

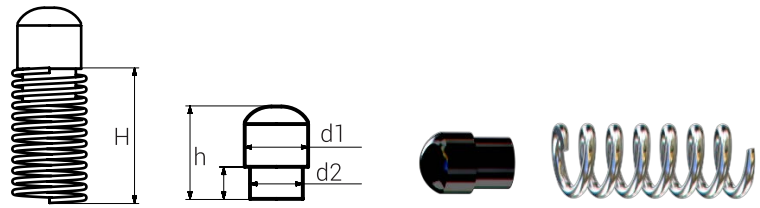
NOZZLE HEADS



Stock Code	Model No	Product Description	Flow (70 Bar) (l/h)	Flow (80 Bar) (l/h)	H (mm)	D (mm)	h (mm)	Weight (gr)
0.022.165.014	Tip 1	0,15 mm Stainless Steel Nozzle Head	3,00	3,20	8,70	8,00	4,00	2,00
0.022.165.015	Tip 2	0,20 mm Stainless Steel Nozzle Head	4,50	4,80	8,70	8,00	4,00	2,00
1.022.165.009	Tip 3	0,30 mm Stainless Steel Nozzle Head	7,00	7,50	8,70	8,00	4,00	2,00
0.022.165.017	Tip 5	0,50 mm Stainless Steel Nozzle Head	13,20	14,10	8,70	8,00	4,00	2,00

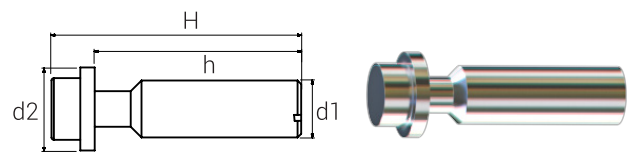
NOZZLE SET

NOZZLE SPRINGS



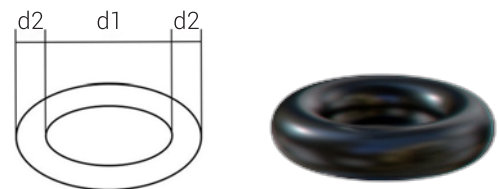
Stock Code	Model No	Product Description	H (mm)	d1 (mm)	d2 (mm)	h (mm)	Weight (gr)
0.001.001.001	DG-Y	10,00 mm Rubber Ball Nozzle Spring	10,00	2,50	3,00	4,50	0,20
0.022.164.014	KG-Y	12,00 mm Rubber Ball Nozzle Spring	12,00	2,50	3,00	4,50	0,30

NOZZLE PINS



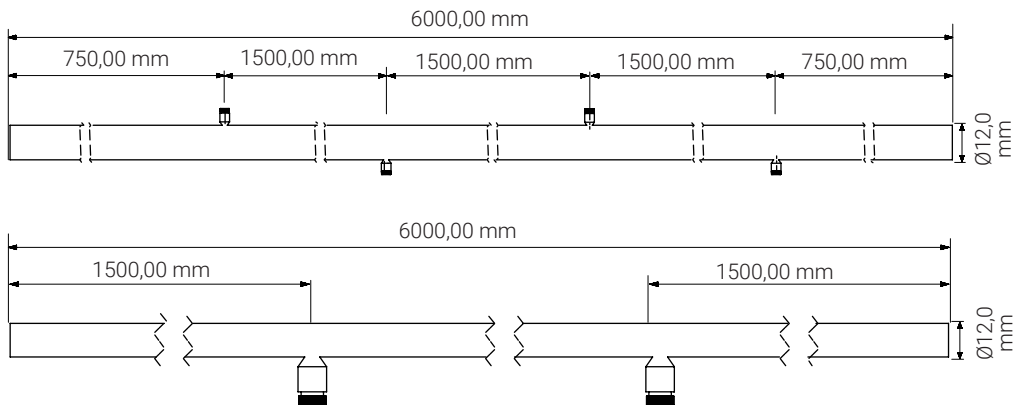
Stock Code	Product Description	H (mm)	d1 (mm)	d2 (mm)	h (mm)	Weight (gr)
1.022.165.014	Ø2,4 mm Spring Pin (Anti-Drip)	10,40	2,40	3,50	8,60	0,40

NOZZLE SEALS



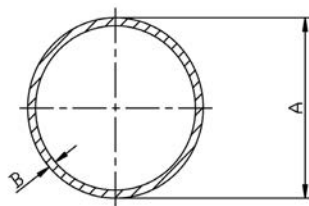
Stock Code	Product Description	Material	d1 (mm)	d2 (mm)	Weight (gr)
0.026.190.010	Ø 6,00 mm Nozul Contası (O-Ring)	NBR	4,00	1,00	0,10

PIPES WITH NOZZLES



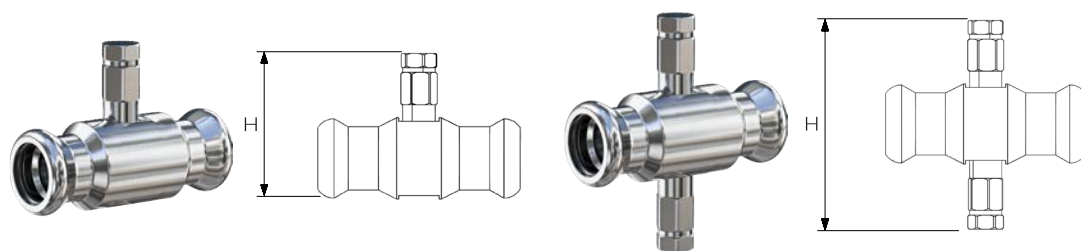
Stock Code	Model No	Product Description	Thickness (mm)	Weight (kg)
1.007.052.073	TY	2-Nozzle (0.20 mm) Single-Direction Ø12.00 mm Stainless Steel Pipe (6.00 meters)	1,00	1,60
1.007.052.075	TY	2-Nozzle (0.30 mm) Single-Direction Ø12.00 mm Stainless Steel Pipe (6.00 meters)	1,00	1,60
1.007.052.072	CY	4-Nozzle (0.20 mm) Dual-Direction Ø12.00 mm Stainless Steel Pipe (6.00 meters)	1,00	1,70
1.007.052.074	CY	4-Nozzle (0.30 mm) Dual-Direction Ø12.00 mm Stainless Steel Pipe (6.00 meters)	1,00	1,70

STAINLESS STEEL PIPES



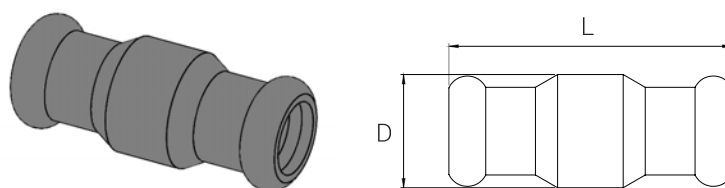
Stock Code	Product Description	A (mm)	B (mm)	Max. Working Pressure (Bar)	Weight (kg)
0.007.052.106	Ø12.00 mm Stainless Steel Pipe (3.00 meters)	Ø12,00	1,00	214,00	0,80
0.007.052.078	Ø12.00 mm Stainless Steel Pipe (6.00 meters)	Ø12,00	1,00	214,00	1,70
0.007.052.080	Ø22,00 mm Paslanmaz Boru (6,00 metre)	Ø22,00	1,20	233,00	3,80

NOZZLED PRESS FITTINGS



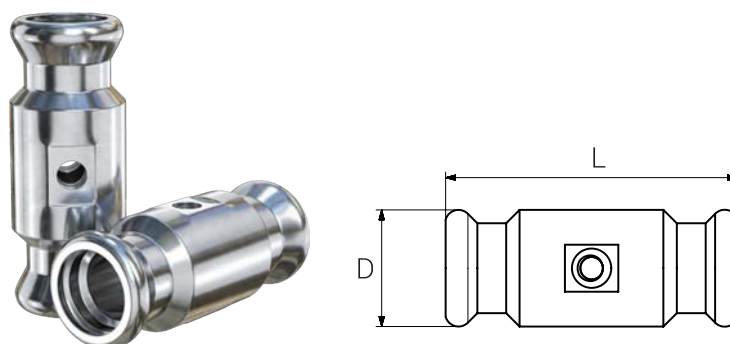
Stock Code	Model No	Product Description	H (mm)	Weight (gr)
1.017.096.023	DK	Single Nozzle Stainless Steel Press Fitting No:2 (for Ø12.00 mm Pipe)	37,10	56,10
1.017.096.012	DK	Single Nozzle Stainless Steel Press Fitting No:3 (for Ø12.00 mm Pipe)	37,10	56,10
1.017.096.024	DK	Double Nozzle Stainless Steel Press Fitting No:2 (for Ø12.00 mm Pipe)	54,20	59,30
1.017.096.011	DK	Double Nozzle Stainless Steel Press Fitting No:3 (for Ø12.00 mm Pipe)	54,20	59,30

STRAIGHT PRESS FITTINGS



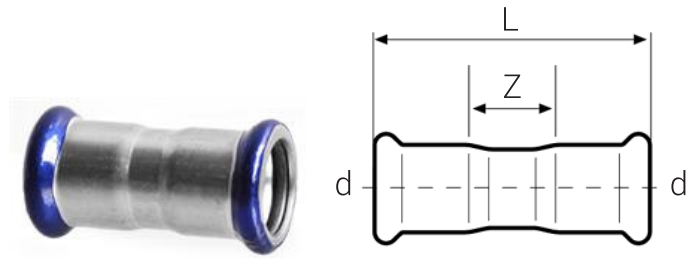
Stock Code	Model No	Product Description	L (mm)	D (mm)	Weight (gr)
1.017.096.037	K	Stainless Steel Straight Press Fitting (for Ø12.00 mm Pipe)	50,00	20,00	53,10

NOZZLE SOCKET PRESS FITTINGS



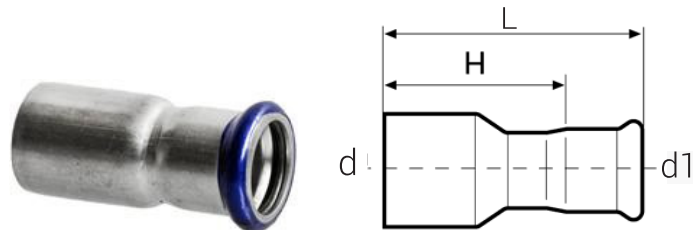
Stock Code	Product Description	L (mm)	D (mm)	Weight (gr)
1.017.096.017	Ø12.00 mm Single Nozzle Socket Stainless Steel Press Fitting	50,00	20,00	61,00
1.017.096.018	Ø12.00 mm Double Nozzle Socket Stainless Steel Press Fitting	50,00	20,00	69,00

PRESS FITTINGS



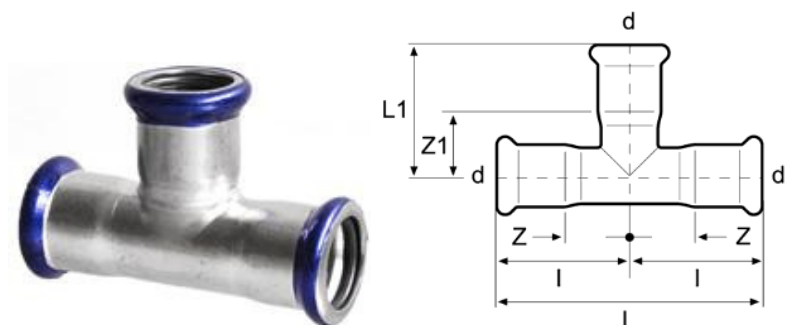
Stock Code	Product Description	d (mm)	L (mm)	Z (mm)	Thickness (mm)	Weight (gr)
0.006.042.001	Ø12.00 mm Stainless Steel Press Fitting	12,00	42,00	6,00	1,00	24,00
0.006.042.002	Ø22.00 mm Stainless Steel Press Fitting	22,00	59,00	13,00	1,20	62,00

PRESS REDUCERS



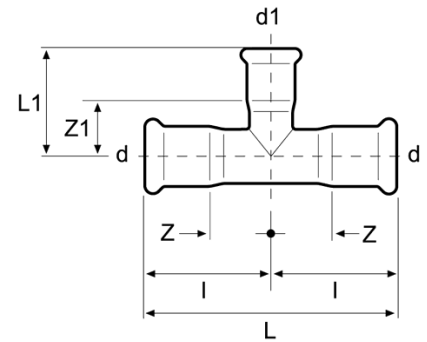
Stock Code	Product Description	d-d1 (mm)	L (mm)	H (mm)	Thickness (mm)	Weight (gr)
0.006.031.098	Ø22.00 mm x Ø12.00 mm Stainless Steel Press Reducer	22,00 - 12,00	63,00	45,00	1,20	37,00

PRES TE



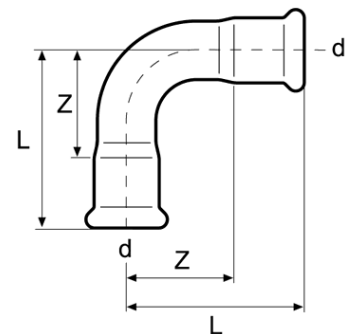
Stock Code	Product Description	d (mm)	L (mm)	L1 (mm)	Z (mm)	Z1 (mm)	Thickness (mm)	Weight (gr)
0.006.033.242	Ø22.0 mm Stainless Steel Press Tee	22,00	83,00	41,00	18,00	18,00	1,20	110,00
0.006.033.241	Ø12.0 mm Stainless Steel Press Tee	12,00	56,00	33,00	10,00	15,00	1,00	49,00

PRESS REDUCING TEE



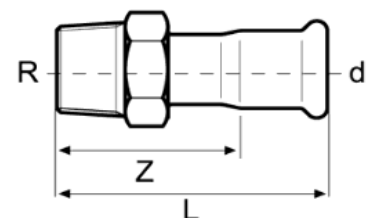
Stock Code	Product Description	L (mm)	L1 (mm)	Z (mm)	Z1 (mm)	Thick-ness (mm)	Weight (gr)
0.006.033.240	Ø22.00 x Ø12.00 x Ø22.00 mm Stainless Steel Reducing Tee	83,00	38,00	18,00	20,00	1,20	97,00
0.006.033.242	Ø22.00 x Ø22.00 x Ø22.00 mm Stainless Steel Reducing Tee	92,00	45,00	22,00	22,00	1,20	142,00

PRESS 90° ELBOWS



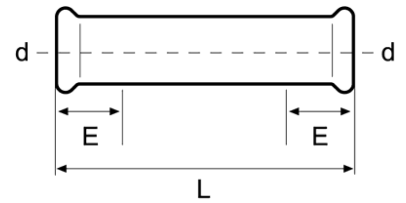
Stock Code	Product Description	d	L	Z	Thickness	Weight
0.006.032.076	Ø12,00 mm Stainless Steel Pres 90° Elbow	12,00 mm	42,00 mm	24,00 mm	1,00 mm	36,00 gr
0.006.032.077	Ø22,00 mm Stainless Steel 90° Elbow	22,00 mm	61,00 mm	38,00 mm	1,20 mm	100,00 gr

THREADED PRESS FITTINGS



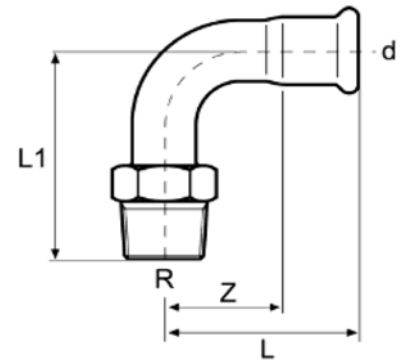
Stock Code	Product Description	d (mm)	L (mm)	H (mm)	Thickness (mm)	Weight (gr)
0.006.042.012	Ø22.00 mm x 3/4" Stainless Steel Threaded Press Fitting	22,00	58,00	35,00	1,20	79,00

LONG PRESS FITTINGS



Stock Code	Product Description	d (mm)	L (mm)	E (mm)	Thickness (mm)	Weight (gr)
0.006.042.003	Ø12.00 mm Stainless Steel Long Press Fitting	12,00	56,00	20,00	1,00	33,00

THREADED PRESS 90° ELBOWS



Stock Code	Product Description	d (mm)	L (mm)	L1 (mm)	Z (mm)	L1 (mm)	Thickness (mm)	Weight (gr)
0.006.032.086	Ø22.00 mm x 3/4" Stainless Steel Threaded Press 90° Elbow	22,00	61,00	68,00	68,00	38,00	1,20	127,00

NIPPLE SETS



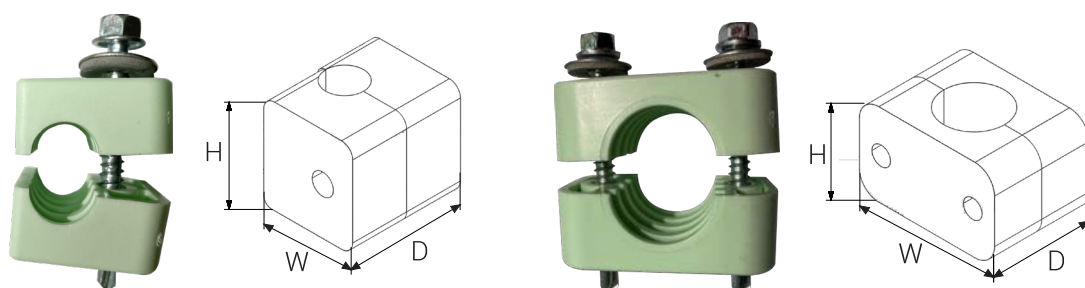
Stock Code	Product Description	Material	Nut Sizes (mm)	Weight (gr)
1.017.096.019	Nipple Set	Brass	M18 x 1,50 - L:12,00	83,20

END-OF-LINE VALVES



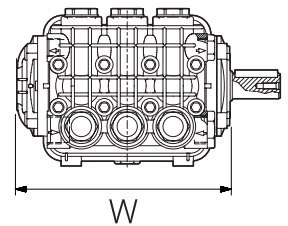
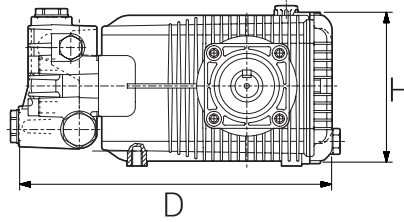
Stock Code	Product Description	Material	L (mm)	Weight (gr)
1.017.096.017	3/8" End-of-Line Mini Ball Valve	Brass	74,00	110,50

PIPE CLAMPS



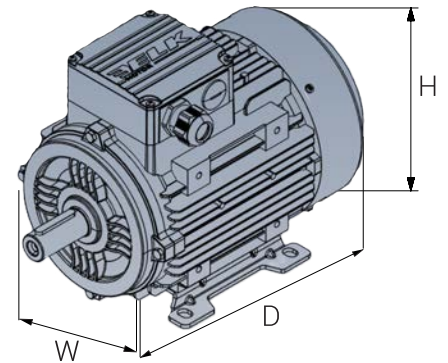
Stock Code	Product Description	Material	W (mm)	D (mm)	H (mm)	Weight (gr)
1.026.197.005	Ø12.00 mm Pipe Clamp Set	Plastik	28,10	34,00	29,80	6,30
1.026.197.006	Ø22.00 mm Pipe Clamp Set	Plastik	48,70	34,00	29,80	11,00

HIGH PRESSURE PUMPS



Stock Code	Product Description	Max. Pressure (Bar)	RPM (d/dk)	Power (kW)	Dimensions (WxDxH) (mm)	Weight (kg)
0.003.021.004	2,00 l/min High-Pressure Pump	100,00	1.450,00	0,40	127,00 x 224,50 x 127,40	6,50
0.003.021.005	4,00 l/min High-Pressure Pump	100,00	1.450,00	0,80	127,00 x 224,50 x 127,40	6,50
0.003.021.007	8,00 l/min High-Pressure Pump	100,00	1.450,00	1,50	127,00 x 224,50 x 127,40	6,50
0.003.021.009	15,00 l/min High-Pressure Pump	150,00	1.450,00	4,00	172,20 x 252,00 x 123,40	9,00
0.003.021.010	21,00 l/min High-Pressure Pump	100,00	1.450,00	4,00	172,20 x 252,00 x 123,40	9,00
0.003.021.012	30,00 l/min High-Pressure Pump	150,00	1.450,00	7,50	247,00 x 309,00 x 150,30	16,00
0.003.021.013	42,00 l/min High-Pressure Pump	150,00	1.450,00	11,80	247,00 x 309,00 x 150,30	16,00
0.003.021.014	50,00 l/min High-Pressure Pump	150,00	1.450,00	15,00	247,00 x 309,00 x 150,30	16,00
0.003.021.015	70,00 l/min High-Pressure Pump	120,00	1.450,00	15,00	183,00 x 324,50 x 187,00	17,60
0.003.021.016	100,00 l/min High-Pressure Pump	120,00	1.450,00	22,00	341,00 x 407,00 x 196,00	32,50

ELECTRIC MOTORS



Stock Code	Product Description	Frequency (Hz)	Pro. Class	Efficiency	Dimensions (WxDxH) (mm)	Weight (kg)
0.013.088.005	220 kW 1500 rpm/min 380V Electric Motor	50,00	IP 55	86,70%	192,00 x 370,50 x 249,00	24,00
0.013.088.006	3,00 kW 1500 rpm/min 380V Electric Motor	50,00	IP 55	87,70%	192,00 x 370,50 x 249,00	27,00
0.013.088.007	4,00 kW 1500 rpm/min 380V Electric Motor	50,00	IP 55	88,60%	217,00 x 390,00 x 273,00	34,00
0.013.088.008	5,50 kW 1500 rpm/min 380V Electric Motor	50,00	IP 55	89,60%	254,00 x 495,00 x 313,00	53,00
0.013.088.009	7,50 kW 1500 rpm/min 380V Electric Motor	50,00	IP 55	90,40%	254,00 x 495,00 x 313,00	60,00
0.013.088.010	11,00 kW 1500 rpm/min 380V Electric Motor	50,00	IP 55	91,50%	295,00 x 605,00 x 384,00	127,00
0.013.088.011	15,00 kW 1500 rpm/min 380V Electric Motor	50,00	IP 55	92,10%	295,00 x 605,00 x 384,00	105,00
0.013.088.012	22,00 kW 1500 rpm/min 380V Electric Motor	50,00	IP 55	93,50%	316,00 x 696,00 x 422,00	120,00

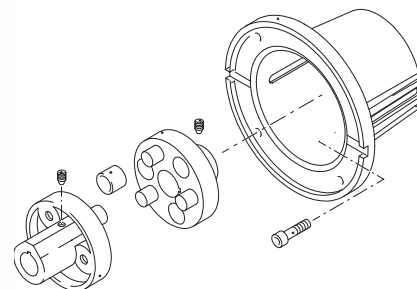
HIGH-PRESSURE PUMP EQUIPMENT



Motor Protection Cover

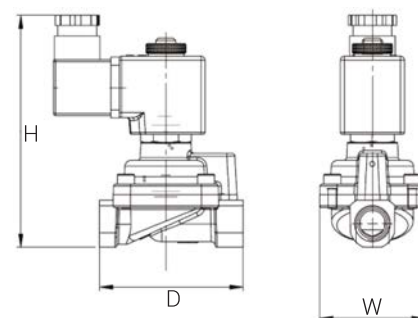


F Series Motor Mounting Flange



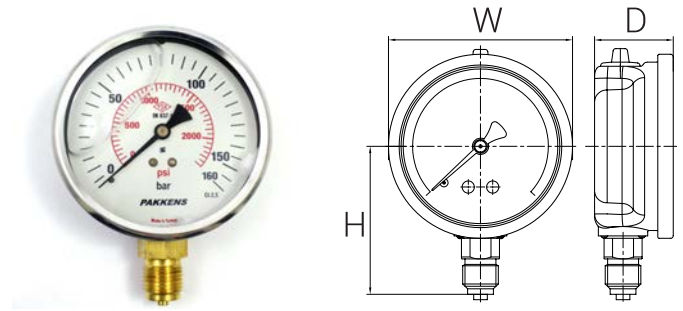
Stock Code	Model	Product Description	Dimensions (WxDxH) (mm)
0.006.041.123	F.13	Motor Mounting Flange for 2.00 l/min - 4.00 l/min - 8.00 l/min Pumps	160,00 x 122,00 x 160,00
0.006.041.122	F.16	Motor Mounting Flange for 15.00 l/min - 21.00 l/min Pumps	130,00 x 74,00 x 130,00
0.006.041.121	F.30	Motor Mounting Flange for 30.00 l/min - 70.00 l/min Pumps	200,00 x 167,40 x 200,00
0.006.042.008	F.55	Motor Mounting Flange for 100.00 l/min Pumps	213,00 x 206,00 x 194,00
1.017.097.082	MK	Motor Protection Cover for 100.00 l/min Pumps	-
0.026.202.004	STS	M8 x 10.0 mm Grub Screw for 100.00 l/min Pumps	-

SOLENOID VALVES



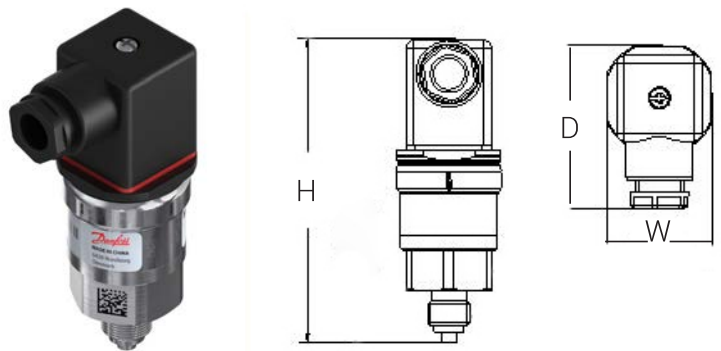
Stock Code	Product Description	Pro.Class	Min. & Max Pressure (Bar)	Dimension (WxDxH) (mm)	Weight (kg)
0.018.104.023	DN8 24V Controlled Threaded Solenoid Valve	IP 65	2,00 - 70,00	52,50 x 75,00 x 115,70	0,70
0.018.104.017	DN15 24V Controlled Threaded Solenoid Valve	IP 65	2,00 - 70,00	52,50 x 80,00 x 117,20	1,00
0.018.104.018	DN20 24V Controlled Threaded Solenoid Valve	IP 65	2,00 - 70,00	52,50 x 78,00 x 124,00	2,70
0.018.104.019	DN25 24V Controlled Threaded Solenoid Valve	IP 65	2,00 - 70,00	52,50 x 85,00 x 130,50	2,60

PRESSURE GAUGES



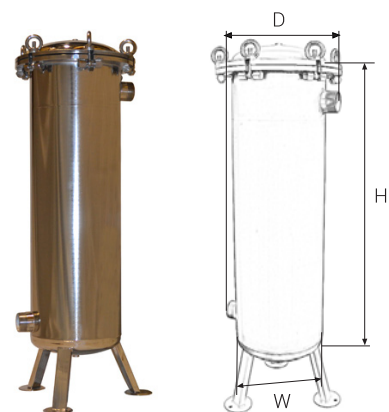
Stock Code	Model	Product Description	Pro. Class	Dimensions (WxDxH) (mm)	Weight (gr)
0.018.131.002	MG	0.00-16.00 Bar Low Pressure Gauge (1/4" Bottom Connection)	IP 65	56,50 x 28,50 x 41,00	230,00
0.018.131.004	MG	0.00-160.00 Bar High Pressure Gauge (1/4" Bottom Connection)	IP 65	56,50 x 28,50 x 41,00	230,00

PRESSURE SENSORS



Stock Code	Product Description	S.Voltage	Output Signal (mA)	Dimension (WxDxH)(mm)	Weight (gr)
0.018.132.044	0.00 - 16.00 Bar 1/4" High Pressure Sensor	9V - 32V	4,00 - 20,00	34,00 x 52,00 x 96,00	150,00
0.018.132.006	0.00 - 16.00 Bar 1/4" Low Pressure Sensor	9V - 32V	4,00 - 20,00	34,00 x 52,00 x 96,00	150,00

FILTER HOUSINGS



Stock Code	Model	Product Description	Dimension (WxDxH) (mm)	Weight (kg)
0.001.006.199	ACF320	20" x 3 Filter 2" Threaded Stainless Steel Multi-Cartridge Filter Housing	375,00 x 426,00 x 954,00	19,00
0.001.006.207	ACF330	30" x 3 Filter 2" Threaded Stainless Steel Multi-Cartridge Filter Housing	375,00 x 426,00 x 1.200,00	22,00
0.001.006.208	ACF340	40" x 3 Filter 2" Threaded Stainless Steel Multi-Cartridge Filter Housing	375,00 x 426,00 x 1.250,00	24,00
0.001.006.200	ACF520	20" x 5 Filter 2" Threaded Stainless Steel Multi-Cartridge Filter Housing	425,00 x 470,00 x 973,00	23,00
0.001.006.205	ACF530	30" x 5 Filter 2" Threaded Stainless Steel Multi-Cartridge Filter Housing	425,00 x 470,00 x 1.223,00	27,00
0.001.006.201	ACF540	40" x 5 Filter 2" Threaded Stainless Steel Multi-Cartridge Filter Housing	425,00 x 470,00 x 1.473,00	32,00
0.001.006.202	ACF830	30" x 8 Filter 3" Flanged Stainless Steel Multi-Cartridge Filter Housing	435,00 x 440,00 x 1.235,00	37,00
0.001.006.203	ACF840	40" x 8 Filter 3" Flanged Stainless Steel Multi-Cartridge Filter Housing	435,00 x 440,00 x 1.485,00	44,00
0.001.006.204	ACF1240	40" x 12 Filter 3" Flanged Stainless Steel Multi-Cartridge Filter Housing	490,00 x 485,00 x 1.538,00	58,00
0.001.006.206	ACF1640	40" x 16 Filter 4" Flanged Stainless Steel Multi-Cartridge Filter Housing	595,00 x 600,00 x 1.550,00	82,00

SPUN FILTERS

Stock Code	Product Description	Material
0.001.006.017	5" - 5.0 Micron Spun Filter	FDA
0.001.006.015	5" - 10.0 Micron Spun Filter	FDA
0.001.006.019	10" - 20.0 Micron Spun Filter	FDA
0.001.006.004	10" - 25.0 Micron Spun Filter	FDA
0.001.006.003	20" - 5.0 Micron Spun Filter	FDA
0.001.006.011	20" - 20.0 Micron Spun Filter	FDA
0.001.006.005	20" - 25.0 Micron Spun Filter	FDA
0.001.006.018	30" - 10.0 Micron Spun Filter	FDA
0.001.006.007	30" - 25.0 Micron Spun Filter	FDA
0.001.006.001	40" - 25,0 Mikron Spun Filtre	FDA







Greenhouse Climate Control Units

Understanding the importance of VPD (Vapor Pressure Deficit) for plants is crucial for optimizing yield and costs in your greenhouse. Timfog's GAHUs (Greenhouse Climate Control Units), with their automation featuring a special algorithm, identify the necessary changes to provide the healthiest air environment for the plants, consequently maximizing plant growth and health.



GREENHOUSE AIR HANDLING UNITS (GAHU)

The GAHU process incorporates a state-of-the-art desiccant rotor, burner, and a cooling coil. Through the combination of this equipment, water vapor in the air drawn from the greenhouse is captured, and the air with a reduced humidity level is released back into the greenhouse.

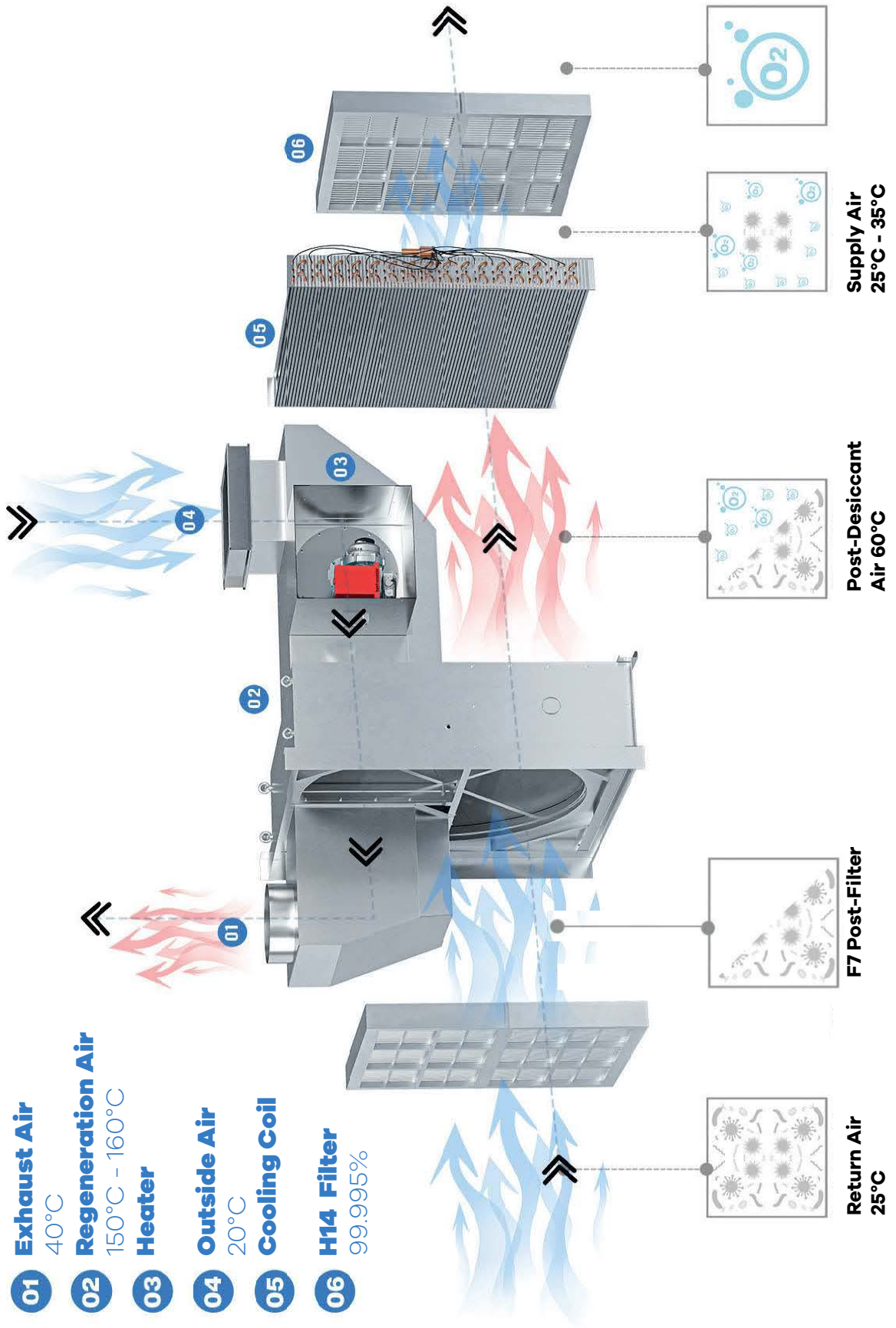


How It Works?

The system is based on the principle of dehumidifying the humid air drawn from the greenhouse with the aid of a desiccant rotor and heating it for regeneration. The desiccant rotor rotates at a slow speed, continuously changing the surfaces between the regeneration zone and the process air. In this way, every section of the rotor is heated by the regeneration air. Consequently, the humid air is dried, and all fungi, bacteria, and viruses in the process air are eliminated due to the high heat. The dry air is sent to the relevant section within the unit and, if needed, passed through a cooling coil and some filters before being redistributed into the greenhouse as homogeneous air. When the air inside the greenhouse becomes excessively hot, the cooling mode of the GAHU is activated to maintain the temperature at the desired levels.

The GAHU makes decisions for these processes based on data it receives from the greenhouse and the external environment. When a constant temperature is required, the specific humidity of the air passing through the drum is continuously calculated by the GAHU automation system from the initial startup of the burner and is periodically monitored at continuously increasing temperatures.





- 01 Exhaust Air**
40°C
- 02 Regeneration Air**
150°C - 160°C
- 03 Heater**
- 04 Outside Air**
20°C
- 05 Cooling Coil**
- 06 H14 Filter**
99.995%

Return Air
25°C

F7 Post-Filter

Post-Desiccant Air
60°C

Supply Air
25°C - 35°C

COMPRESSOR-BASED AND DESICCANT-BASED GAHU

- Monobloc unit – easy installation,
- Optional hygiene mode, HEPA filters,
- Multiple climate control modes;
 - VPD-based precise digital control and automation
 - T-RH-based precise digital control and automation,
- EC / FC intake and exhaust fans,
- Fixed speed / frequency controlled scroll compressors
- Electronic expansion valve,
- Proportional controlled burner,
- Full integration with universal greenhouse automation systems,
- Remote monitoring and control capability.



Stock Code	2.001.011.028	2.001.011.029	2.001.011.030	2.001.011.031
Model	GAHU5-50/120-NG	GAHU10-100/180-NG	GAHU15-150/250-NG	GAHU20-200/390-NG
Product Description	Natural Gas Burner and Compressor-based GAHU (with Proportional Fresh Air Supply)	Natural Gas Burner and Compressor-based GAHU (with Proportional Fresh Air Supply)	Natural Gas Burner and Compressor-based GAHU (with Proportional Fresh Air Supply)	Natural Gas Burner and Compressor-based GAHU (with Proportional Fresh Air Supply)
Supply Air Flow Rate ⁽¹⁾	5.000,00 m ³ /h	10.000,00 m ³ /h	15.000,00 m ³ /h	20.000,00 m ³ /h
Regeneration Air Flow Rate	1.250,00 m ³ /h	2.500,00 m ³ /h	3.750,00 m ³ /h	5.000,00 m ³ /h
Cooling Capacity ⁽²⁾	61,30 kW/h	115,20 kW/h	168,10 kW/h	226,90 kW/h
Heating Capacity ⁽³⁾	37,30 kW/h	65,30 kW/h	93,00 kW/h	119,00 kW/h
Nominal Unit Dehumidification Capacity ⁽⁴⁾	38,00 kg/h	61,00 kg/h	82,00 kg/h	117,00 kg/h
Max. System Dehumidification Capacity ⁽⁵⁾	49,00 kg/h	72,00 kg/h	93,00 kg/h	140,00 kg/h
Installed Unit Energy Capacity	34,30 kW + 12,70 m ³ /h NG	60,20 kW + 12,70 m ³ /h NG	78,00 kW + 18,76 m ³ /h NG	91,70 kW + 26,00 m ³ /h NG
COP (Coefficient of Performance)	3,20	3,20	3,20	3,20
EER (Energy Efficiency Ratio)	10,80	10,90	10,90	11,00
Regeneration Equipment	NG Burner	NG Burner	NG Burner	NG Burner
Overall Dimensions (W x D x H)	5.580,00 x 1.500,00 x 1.600,00 mm	5.920,00 x 1.700,00 x 1.950,00 mm	6.640,00 x 2.000,00 x 2.150,00 mm	6.710,00 x 2.000,00 x 2.150,00 mm
Condenser Dimensions (W x D x H)	2.115,00 x 1.343,00 x 1.560,00 mm	2.760,00 x 1.182,00 x 1.785,00 mm	3.960,00 x 1.182,00 x 1.765,00 mm	3.960,00 x 1.182,00 x 1.785,00 mm
Weight	2.010,00 kg	2.530,00 kg	2.921,00 kg	3.205,00kg
Condenser Weight	260,00 kg	535,00 kg	779,00 kg	841,00 kg

1- Air flow rate under 900 Pa static pressure.

2- Cooling capacities are determined based on +5°C evaporation and +47°C condensation temperatures.

3- Heating capacities transferred to the process are determined with a 30% dehumidification heat loss at a 120°C regeneration temperature.

4- Nominal unit dehumidification capacities are specified under indoor design conditions of 24°C and 55% relative humidity.

5- Max. system dehumidification capacities are specified under different indoor temperature and relative humidity design conditions.

DESICCANT-BASED (ELECTRIC)

TDD - DESICCANT DEHUMIDIFICATION (ELECTRIC)

- Monobloc unit – easy installation,
- T-RH-based precise digital control and automation,
- EC / FC intake and exhaust fans,
- Proportional controlled burner,
- Low energy consumption,
- Higher quality and more efficient harvest,
- Full integration with universal greenhouse automation systems



Stock Code		2.001.014.086
Model	TD-D1700 Desiccant Dehumidifier (Electric)	TD-D3000 Desiccant Dehumidifier (Electric)
Product Description	Electric Resistance Desiccant Dehumidifier	Electric Resistance Desiccant Dehumidifier
Process Air Flow Rate	1.700,00 m ³ /h	3.000,00 m ³ /h
Regeneration Air Flow Rate	400,00 m ³ /h	1000,00 m ³ /h
Rotor Diameter	Ø500,00 mm	Ø770,00 mm
Dehumidification Capacity at 20°C - 60% Humidity	9,4 kg/h	21,6 kg/h
Regeneration Heating Load to Process at 20°C - 60% Humidity	4,80 kW	9,00 kW
Dehumidification Capacity at 30°C - 80% Humidity	10,10 kg/h	24,00 kg/h
Regeneration Heating Load to Process at 30°C - 80% Humidity	5,00 kW	9,40 kW
Installed Unit Energy Capacity	20,00 kW	34,00 kW
Regeneration Equipment	Electric Resistance	Electric Resistance
Overall Dimensions (W x D x H)	1.405,00 x 768,00 x 741,00 mm	2.029,00 x 1.006,00 x 1.259,00 mm
Weight	150,00 kg	450,00 kg

* Resistance capacity is selected based on 0°C outdoor air temperature.

* Process air supply and exhaust fans are selected based on 750 Pa.

DESICCANT GAHU (NATURAL GAS)

- Monobloc unit – easy installation,
- T-RH-based precise digital control and automation
- EC / FC intake and exhaust fans,
- Proportional controlled burner,
- Low energy consumption,
- Higher quality and more efficient harvest,
- Full integration with universal greenhouse automation systems.



Stock Code	2.001.011.034	2.001.011.035	2.001.011.036	2.001.011.037
Model	GAHU 5-120-NG	GAHU10-120-NG	GAHU15-250-NG	GAHU20-390-NG
Product Description	Natural Gas Burner GAHU (with Proportional Fresh Air Supply)	Natural Gas Burner GAHU (with Proportional Fresh Air Supply)	Natural Gas Burner GAHU (with Proportional Fresh Air Supply)	Natural Gas Burner GAHU (with Proportional Fresh Air Supply)
Process Air Flow Rate	5.000,0 m ³ /h	10.000,00 m ³ /h	15.000,00 m ³ /h	20.000,00 m ³ /h
Regeneration Air Flow Rate	1.250,0 m ³ /h	3.000,00 m ³ /h	5.000,00 m ³ /h	6.500,00 m ³ /h
Rotor Diameter	Ø 965,0 mm	Ø1.220,00 mm	Ø1.525,00 mm	Ø1.730,00 mm
Dehumidification Capacity at 20°C - 60% Humidity	29,0 kg/h	65,00 kg/h	100,00 kg/h	120,00 kg/h
Regeneration Heating Load to Process at 20°C - 60% Humidity	33,15 kW	50,00 kW	76,00 kW	100,00 kW
Dehumidification Capacity at 30°C - 80% Humidity	37,0 kg/h	80,00 kg/h	130,00 kg/h	160,00 kg/h
30°C - %80: Regeneration Heating Load to Process at 30°C - 80% Humidity	34,82 kW	55,00 kW	83,00 kW	108,00 kW
Installed Power Capacity	8,3 kW + 12,7 m ³ /h Doğalgaz	15,20 kW + 13,00 m ³ /h Doğalgaz	20,80 kW + 23,00 m ³ /h Doğalgaz	24,70 kW + 28,00 m ³ /h Doğalgaz
Regeneration Equipment	Natural Gas Burner	Natural Gas Burner	Natural Gas Burner	Natural Gas Burner
Overall Dimensions (W x D x H)	4.785,0 x 1.600,0 x 1.500,0 mm	5.000,00 x 1.700,00 x 1.950,00 mm	5.680,00 x 2.000,00 x 2.150,00 mm	5.680,00 x 2.000,00 x 2.150,00 mm
Weight	1.510,0 kg	1.940,00 kg	2.140,00 kg	2.340,00 kg

* Burner capacity is selected based on 0°C outdoor air temperature.
* Process air supply and exhaust fans are selected based on 750 Pa.

COMPRESSOR-BASED GAHU

- Monobloc unit – easy installation,
- Optional hygiene mode, Activated Carbon Filters,
- Multiple climate control modes;
 - VPD-based precise digital control and automation,
 - T-RH-based precise digital control and automation,
- EC / FC intake and exhaust fans,
- Fixed speed / frequency controlled scroll compressors,
- Electronic expansion valve,
- Reheating coil,
- Low energy consumption,
- Daha kaliteli ve verimli hasat,
- Full integration with universal greenhouse automation systems,
- Remote monitoring and control capability.



Stock Code	2.001.011.038	2.001.011.039	2.001.011.040
Model	GAHU5-50/33	GAHU10-100/66	GAHU15-150/100
Product Description	Compressor-based GAHU (with Proportional Fresh Air Supply)	Compressor-based GAHU (with Proportional Fresh Air Supply)	Compressor-based GAHU (with Proportional Fresh Air Supply)
Supply Air Flow Rate ⁽¹⁾	5.000,00 m ³ /h	10.000,00 m ³ /h	15.000,00 m ³ /h
Cooling Capacity ⁽²⁾	51,85 kW/h	103,4 kW/h	153,00 kW/h
Heating Capacity ⁽³⁾	21,46 kW/h	43,20 kW/h	64,00 kW/h
Nominal Unit Dehumidification Capacity ⁽⁴⁾	33,00 kg/h	64,00 kg/h	98,00 kg/h
Installed Power Capacity	27,86 kW	51,14 kW	71,97 kW
EER (Energy Efficiency Ratio)	3,20	3,35	3,40
Regeneration Equipment	Compressor	Compressor	Compressor
Overall Dimensions (W x D x H)	2.430,00 x 2.270,00 x 1.953,00 mm	3.390,00 x 2.270,00 x 2.573,00 mm	4.310,00 x 2.270,00 x 2.573,00 mm
Weight	1.540,00 kg	2.290,00 kg	2.715,00 kg

1- Air flow rate under 750 Pa static pressure.

2- Cooling capacities are determined based on +2°C evaporation and +47°C condensation temperatures.

3- The specified heating capacities are reheating capacities.

4- Nominal unit dehumidification capacities are specified under indoor design conditions of 24°C and 55% relative humidity.

HEAT PUMPS

A heat pump is a system that extracts thermal energy from a low-temperature source and transfers it to a higher-temperature environment, using electrical energy for this process. This technology can be used not only for heating but also for cooling purposes. Compared to traditional heating systems, it offers higher energy efficiency and provides an environmentally friendly heating and cooling solution by reducing fossil fuel consumption.

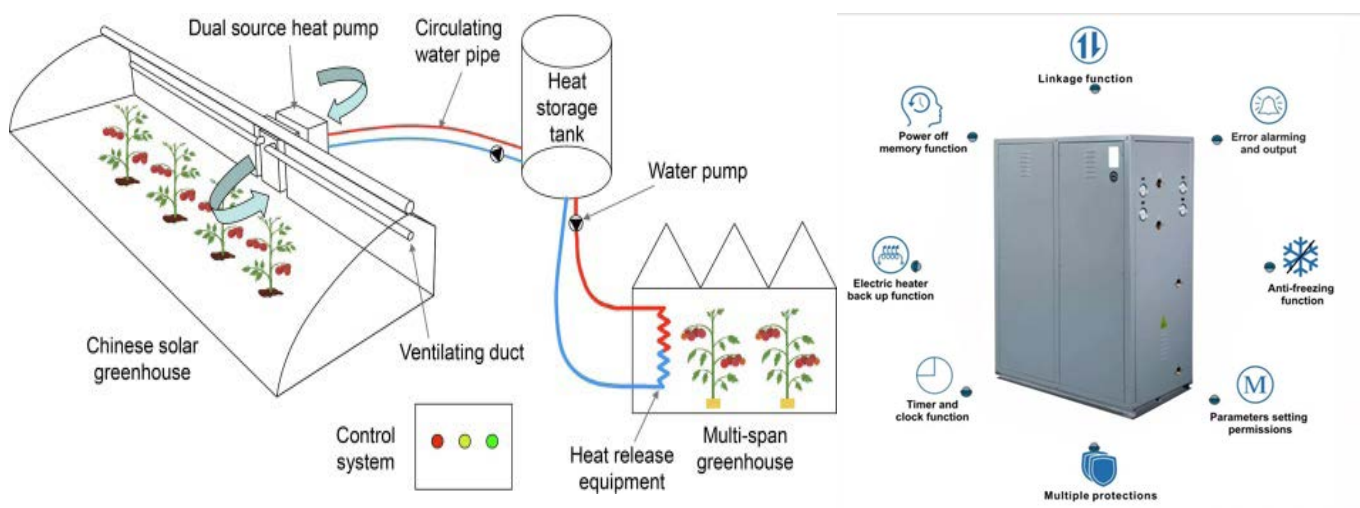
Especially in regions like Türkiye where winters are cold, greenhouses can remain active throughout the year thanks to the use of heat pumps. This presents an opportunity to earn high profits by growing off-season produce. With correct planning, appropriate capacity selection, and professional installation, a heat pump ensures the year-round operation of greenhouses. Greenhouse owners can thereby achieve high incomes by growing their products even off-season. At the same time, an environmentally friendly production process independent of fossil fuels is achieved.

Type	WATER SOURCE HEAT PUMP					
Stock Code						
Model	TWW-9	TWW-12	TWW-18	TWW-12	TWW-18	TWW-22
Power supply	220V-240V/50Hz/1ph	220V-240V/50Hz/1ph	220V-240V/50Hz/1ph	380V-415V/50Hz/3ph	380V-415V/50Hz/3ph	380V-415V/50Hz/3ph
Refrigerant	R410A	R410A	R410A	R410A	R410A	R410A
Heating capacity	10,00 kW	15,00 kW	18,00 kW	15,00 kW	19,5 kW	25,00 kW
Heating input power	1,90 kW	2,87 kW	3,44 kW	2,87 kW	3,74 kW	4,77 kW
Coefficient of Performance (COP)	5,25	5,22	5,23	5,22	5,22	5,24
Nominal current	9,60 A	14,50 A	17,40 A	5,50 A	7,10 A	9,10 A
Maximum current	13,00 A	19,60 A	23,50 A	7,40 A	9,60 A	12,20 A
Load side water flow rate	1.911,00 L/sa	2.866,00 L/sa	3.439,00 L/sa	2.866,00 L/sa	3.726,00 L/sa	4.777,00 L/sa
Source side water flow rate	1.547,00 L/sa	2.317,00 L/sa	2.782,00 L/sa	2.317,00 L/sa	3.726,00 L/sa	4.777,00 L/sa
Water pressure drop	≤30 Kpa	≤31 Kpa	≤33 Kpa	≤31 Kpa	≤33 Kpa	≤35 Kpa
Net weight	71,00 kg	75,00 kg	94,00 kg	75,00 kg	94,00 kg	101,00 kg
Gross weight	81,00 kg	85,00 kg	109,00 kg	85,00 kg	109,00 kg	116,00 kg
Noise level	45,00 db	45,00 db	48,00 db	45,00 db	48,00 db	49,00 db
Pipe diameter (female thread)	25,00 mm	25,00 mm	25,00 mm	25,00 mm	25,00 mm	25,00 mm
Dimensions	700,00 * 580,00 * 730,00 mm	700,00 * 580,00 * 730,00 mm	700,00 * 580,00 * 730,00 mm	700,00 * 580,00 * 730,00 mm	700,00 * 580,00 * 730,00 mm	700,00 * 580,00 * 730,00 mm
Packaging dimensions	790,00 * 670,00 * 900,00 mm	790,00 * 670,00 * 900,00 mm	790,00 * 670,00 * 900,00 mm	790,00 * 670,00 * 900,00 mm	790,00 * 670,00 * 900,00 mm	790,00 * 670,00 * 900,00 mm

Nominal operating condition: load side inlet/outlet water temperature: 15°C/55°C, Heating — source side inlet/outlet water temperature: 15°C/10°C,

Type	WATER SOURCE HEAT PUMP					
Stock Code						
Model	TWW-36	TWW-42	TWW-52	TWW-72	TWW-95	TWW-200
Power supply	380V-415V/50Hz/3ph	380V-415V/50Hz/3ph	380V-415V/50Hz/3ph	380V-415V/50Hz/3ph	380V-415V/50Hz/3ph	380V-415V/50Hz/3ph
Refrigerant	R410A	R410A	R410A	R407C	R407C	R407C
Heating capacity	39,00 kW	48,00 kW	56,00 kW	76,00 kW	100,00 kW	200,00 kW
Heating input power	7,46 kW	9,16 kW	10,69 kW	14,53 kW	19,16 kW	38,31 kW
Coefficient of Performance (COP)	5,23	5,24	5,24	5,23	5,22	5,22
Nominal current	14,20 A	17,40 A	20,30 A	27,60 A	36,40 A	72,80 A
Maximum current	19,10 A	23,50 A	27,40 A	37,30 A	49,10 A	98,20 A
Load side water flow rate	7.452,00 L/sa	9.172,00 L/sa	10.700,00 L/sa	14.522,00 L/sa	19.108,00 L/sa	38.215,00 L/sa
Source side water flow rate	6.027,00 L/sa	7.421,00 L/sa	8.658,00 L/sa	11.745,00 L/sa	15.447,00 L/sa	30.894,00 L/sa
Water pressure drop	≤40 KPa	≤42 KPa	≤45 KPa	≤48 KPa	≤50 KPa	≤60 KPa
Net weight	165,00 kg	180,00 kg	350,00 kg	451,00 kg	475,00 kg	915,00 kg
Gross weight	185,00 kg	200,00 kg	370,00 kg	471,00 kg	495,00 kg	955,00 kg
Noise level	56,00 db	56,00 db	58,00 db	65,00 db	68,00 db	70,00 db
Pipe diameter (female thread)	32,00 mm	32,00 mm	50,00 mm	50,00 mm	65,00 mm	80,00 mm
Dimensions	1.040,00 * 600,00 * 1.200,00 mm	1.040,00 * 600 * 1.200,00 mm	1.040 * 600 * 1.200,00 mm	1.240,00 * 840 * 1.650,00 mm	1.240,00 * 840 * 1.650,00 mm	1.560,00 * 1.220,00 * 1.650,00 mm
Packaging dimensions	1.090,00 * 705,00 * 1.560,00 mm	1.090,00 * 705,00 * 1.560,00 mm	1.040,00 * 640,00 * 1.140,00	1.300,00 * 900,00 * 1.800,00 mm	1.300,00 * 900,00 * 1.800,00 mm	1.640,00 * 1.300,00 * 1.800,00 mm

Nominal operating condition: load side inlet/outlet water temperature: 15°C/55°C, Heating — source side inlet/outlet water temperature: 15°C/10°C,







GREENHOUSE AIR CONDITIONING UNITS



Hygiene
Mode



Mobile Control
Panel



Humidity
Options



Filter
Options



Adjustable and
Effective Air Flow



Summer and Winter
Operation Modes



Homogeneous
Ventilation

Precise climate control based on
VPD for your valuable crops



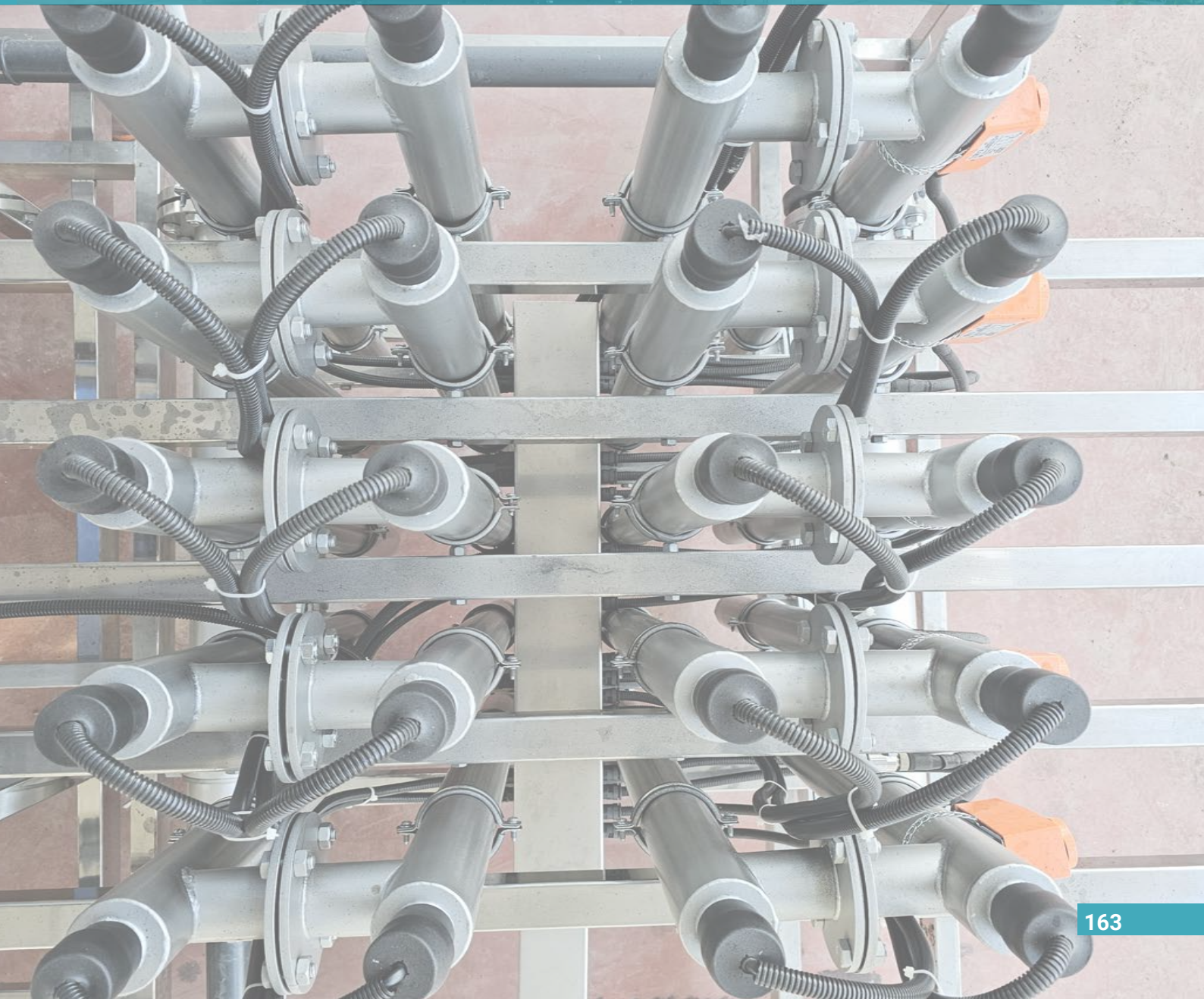
The most suitable ecosystem for efficient greenhouse cultivation





UVC - Drainage Water Recycling

UVC systems are a disinfection method that utilizes ultraviolet-C (UVC) rays to neutralize harmful microorganisms such as bacteria, viruses, fungi, and algae in irrigation water. These systems work by passing water through a UV reactor where UVC rays are emitted at a specific wavelength (typically 254 nm). This radiation damages the DNA structure of the microorganisms, preventing their reproduction and effectively inactivating them.



UVC - DRAINAGE WATER RECYCLING SYSTEM

How it Works?

The UVC irrigation water sterilization system is a disinfection method integrated into the irrigation line to neutralize harmful microorganisms in the water using ultraviolet-C (UVC) rays. The system begins with the water passing through a pre-filtration unit to remove large particles. Subsequently, the water is directed by a pressurized pump to a stainless steel or quartz glass-lined UVC reactor. Here, high-intensity UVC lamps emitting light at a wavelength of 254 nm sterilize the water by damaging the DNA structure of the microorganisms and halting their reproduction.

Sensors inside the reactor monitor the UVC light intensity and water flow rate to ensure optimal disinfection levels. Automatic control valves guarantee that the water is exposed to UVC rays regularly and for a sufficient duration, while quality sensors on the outlet line measure the effectiveness of the disinfection. The entire process is automatically managed by a PLC (Programmable Logic Controller), and an alarm system is activated to inform the operator if any malfunction or low light intensity is detected. The sterilized water is safely directed to the irrigation system or storage tank without the addition of any chemical substances, thus providing environmentally friendly disinfection while protecting plant health.



T-UVC SERIES

Model	Water Volume (m³/h)	Minimum Inlet Pressure (Bar)	Power (kW)	UVC Lamp Life-time (Hours)
T-UVC-2	2,00	1,00	2,00	8000,00
T-UVC-5	5,00	1,00	3,10	8000,00
T-UVC-10	10,00	1,00	4,60	8000,00
T-UVC-20	20,00	1,00	6,	8000,00
T-UVC-30	30,00	1,00	7,60	8000,00

ORGANISMS ELIMINATED BY THE T-UVC SERIES

- **Bacteria:**

E. coli: A bacterium that can pass from water sources to plants, threatening food safety.

Salmonella: A source of bacterial infection that can be found in plants and threatens human health

Pseudomonas: A pathogenic bacterium that can damage plant roots.

- **Viruses:**

Hepatitis A: A virus that can be transmitted through agricultural products.

Norovirus: Viruses that can cause foodborne outbreaks.

- **Protozoa:**

Giardia: A protozoan that can pass to plants via irrigation water.

Cryptosporidium: A protozoan that can be found in agricultural water sources and can have negative effects on plants.

- **Fungi:**

Phytophthora: A type of fungus that causes root rot in plants.

Fusarium: A fungus that can cause various diseases in plants.

- **Algae:**

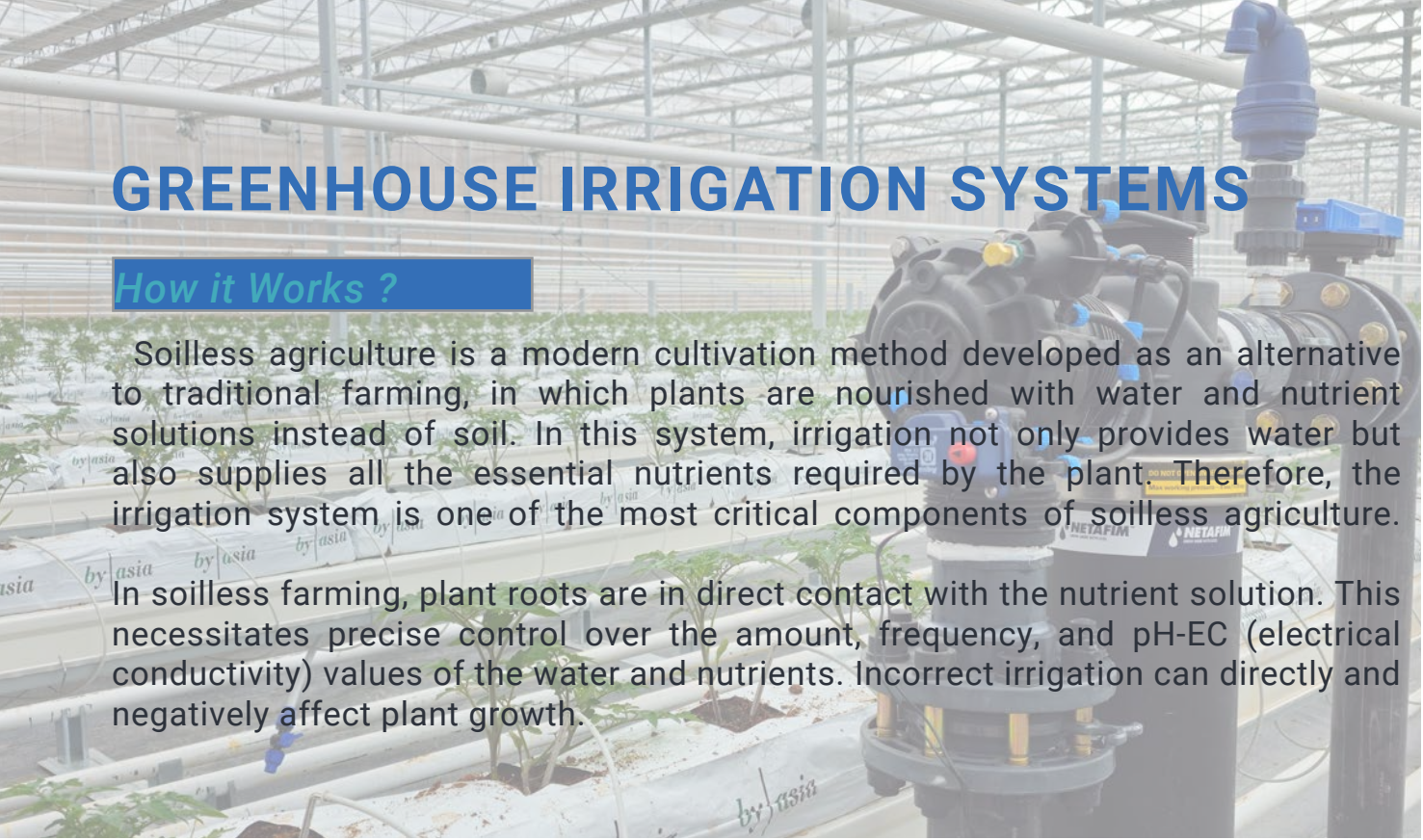
Harmful algae species can cause blockages in irrigation systems and negatively affect plant health.

GREENHOUSE IRRIGATION SYSTEMS

How it Works ?

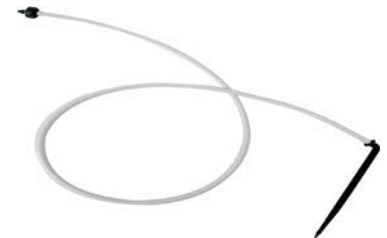
Soilless agriculture is a modern cultivation method developed as an alternative to traditional farming, in which plants are nourished with water and nutrient solutions instead of soil. In this system, irrigation not only provides water but also supplies all the essential nutrients required by the plant. Therefore, the irrigation system is one of the most critical components of soilless agriculture.

In soilless farming, plant roots are in direct contact with the nutrient solution. This necessitates precise control over the amount, frequency, and pH-EC (electrical conductivity) values of the water and nutrients. Incorrect irrigation can directly and negatively affect plant growth.



ARROW DRIPPERS

Model	Flow Rate (l/h)	Max. working pressure (bar)	Pipe Color	Dripper Color
Arrow Dripper	1,6	1,20	White	White
Arrow Dripper	2,3	1,20	White	White



DRIP EMITTERS

Model	Flow Rate (l/h)	Working Pressure (Bar)	Base Code Color	Cap color code
PCJ online Emitter	2,00	0,5 - 4 Bar	Red	Black
PCJ online Emitter	3,00	0,5 - 4 Bar	Blue	Black



GREENHOUSE ELECTRICAL & AUTOMATION SYSTEMS

How it Works ?

Greenhouse electrical and automation systems are designed to optimize growing conditions by integrating climate control, irrigation, lighting, and energy management into a centralized control platform. These systems monitor real-time data from sensors placed throughout the greenhouse—such as temperature, humidity, CO₂ levels, light intensity, and soil moisture.

Based on the collected data, automation software makes instant adjustments: turning fans on or off, opening roof vents, activating shade screens, starting irrigation cycles, or adjusting nutrient levels. This ensures optimal conditions for plant growth while minimizing energy and water usage.

Thanks to these smart systems, growers can remotely monitor and control all vital greenhouse processes, improve efficiency, and ensure consistent crop quality throughout the year.

GREENHOUSE INTERNAL ELECTRICAL PANELS

Stock Code	Description	Supply Voltage	Power	Short Circuit Capacity	Dimensions (mm)	Assembly Type	Material	IP Class
1.013.076.235	Main Greenhouse Distribution Panel	400 VAC 50 Hz	480 kW	70 kA @415 VAC	1.200,00 x 2.000,00 x 400,00	Free-Standing Type	Hot-Dip Galvanized	IP 55
1.013.076.241	Boiler Room Panel	400 VAC 50 Hz	90 kW	36 kA @415 VAC	1.200,00 x 1.800,00 x 350,00	Free-Standing Type	Hot-Dip Galvanized	IP 55
1.013.076.237	Greenhouse Sector Panels	400 VAC 50 Hz	34 kW	36 kA @415 VAC	1.050,00 x 950,00 x 300,00	Wall-Mounted	Hot-Dip Galvanized	IP 55
1.013.076.249	Ventilation Motor Panels	400 VAC 50 Hz	1.1 kW	50 kA @400 VAC	300,00 x 400,00 x 150,00	Wall-Mounted	Plastic Combination Box	IP 55
1.013.076.248	Thermal Screen Motor Panels	400 VAC 50 Hz	3 kW	50 kA @400 VAC	300,00 x 400,00 x 150,00	Wall-Mounted	Plastic Combination Box	IP 55
1.013.076.236	Heating Control Panels	400 VAC 50 Hz	11 kW	10 kA @415 VAC	750,00 x 950,00 x 300,00	Wall-Mounted	Hot-Dip Galvanized	IP 55



GREENHOUSE AUXILIARY SYSTEMS- GUTTER SYSTEM EQUIPMENTS

How it Works ?

To ensure that the gutter system remains securely in place and can carry the entire load, supporting wires are used. These wires are connected to the main structural frame of the greenhouse, allowing them to distribute the weight of the gutters evenly. Usually made of galvanized steel, the wires are durable and long-lasting. Thanks to the tensioning devices located at their ends, the system can be easily tightened or adjusted in height when necessary. In this way, the gutter structure remains stable over time without sagging or bending. The grow bags placed on top receive a nutrient solution regularly through the drip irrigation system, and excess water flows toward the drainage line thanks to the slope inside the gutter. This ensures that the root environment of the plants remains consistently balanced while maintaining a clean and organized production area within the greenhouse.

In conclusion, the gutter system and the supporting wires used in soilless greenhouse production are fundamental components that enhance sustainability and productivity. Together, these two elements allow plants to grow under ideal conditions while providing the producer with significant savings in water, time, and labor.



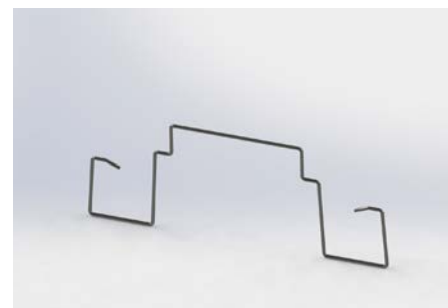
GUTTER WIRES



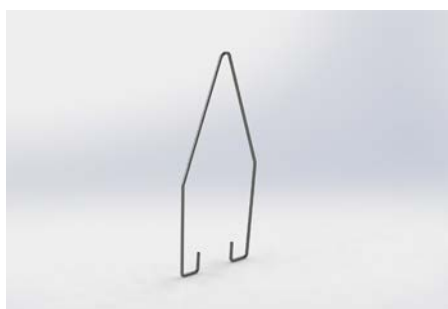
Front Wire



Gutter Clamping Wire



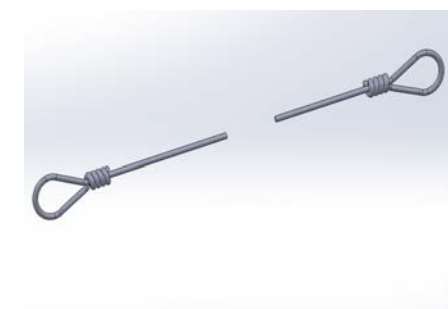
Segmented Gutter Plant Suspension Wire



Wire "A"



Growpipe Gutter Hook



Gutter Suspension Wire

Stock Code	Description	Height (mm)	Length (mm)	Thickness (mm)	Material
1.024.170.002	Gutter Front Wire	447,00	176,00	8,00	Hot-Dip Galvanized
1.024.170.003	Gutter Clamping Wire	65,50	247,00	4,00	Hot-Dip Galvanized
1.024.170.004	Segmented Gutter Plant Suspension Wire	180,00	455,00	5,00	Hot-Dip Galvanized
1.024.170.005	Wire "A"	600,50	247,00	8,00	Hot-Dip Galvanized
1.024.170.006	Growpipe Gutter Hook	200,00	67,50	8,00	Hot-Dip Galvanized
1.024.170.007	Gutter Suspension Wire	Varies	Varies	5,00	Hot-Dip Galvanized



timfog®

📍 **Factory**

Çerkeşli Osb Mah. İmes 7.Cadde
No:3 Dilovası/Kocaeli

